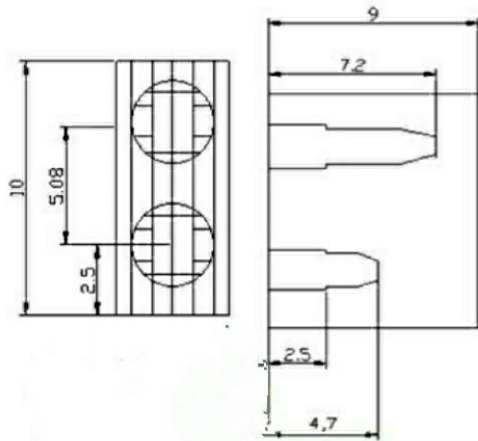


φ 3两孔座规格书



材 质：UL合格之NYLON66（黑色）。

用 途：使φ 3mm LED成90°，焊于PC板上高度一致，不断脚。

防火等级：94V-2

工作温度：-20℃~120℃

Material: UL qualified NYLON66 (Black)

Usage: To make φ 3mm LED into 90° and solder it on the PC board, to make the height consistent and protect pins from break.

Flame Class: 94V-2

Working Temperature: -20℃~120℃

单位 (unit)mm

型号 PART NO	包装 PACKAGE
LED两孔座	1000pcs