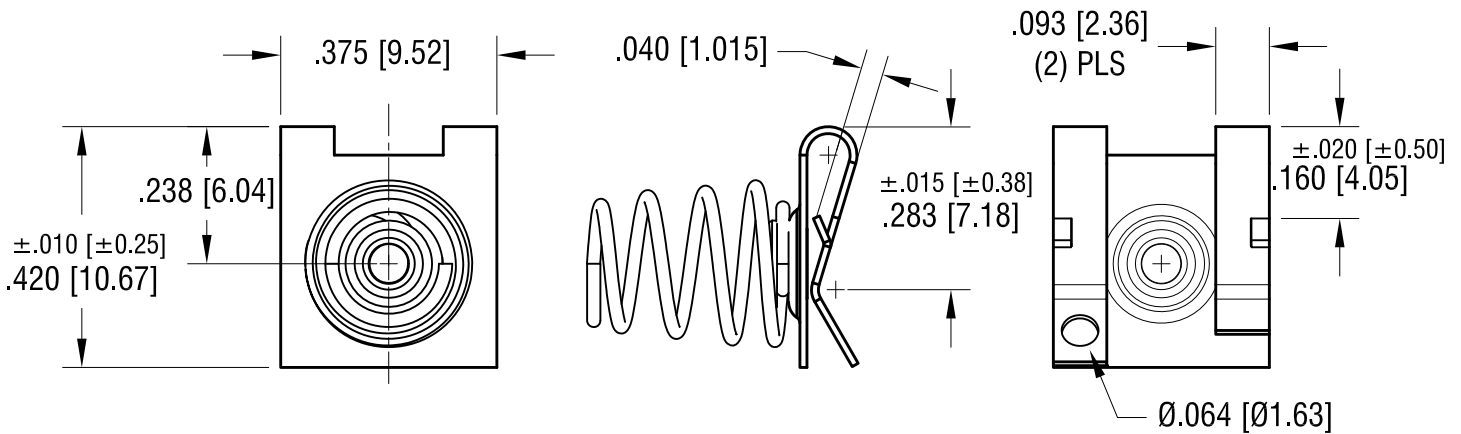
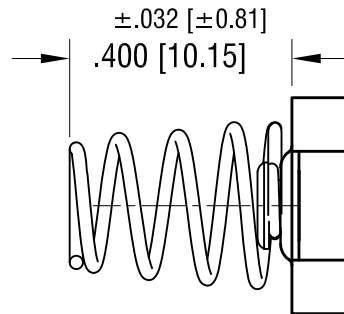
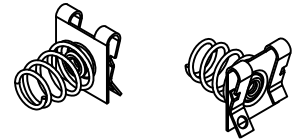


THIS DOCUMENT IS THE PROPERTY OF  
KEYSTONE ELECTRONICS CORP. AND  
SHALL NOT BE REPRODUCED, DISTRIBUTED  
OR USED AS A BASIS FOR MANUFACTURE  
WITHOUT PRIOR WRITTEN PERMISSION  
FROM KEYSTONE ELECTRONICS CORP.

ACTUAL SIZE



NOTES:

1. BASE:  
MAT'L - .012 [0.30] TH'K SPRING STEEL
2. SPRING CONTACT:  
MAT'L - .023 [0.58] DIA. MUSIC WIRE
3. DESIGNED TO CLIP OVER PANELS  
FROM .060 [1.52] THRU .070 [1.78]

<b>KEYSTONE ELECTRONICS CORP.</b>			
www.keyelco.com • NEW HYDE PARK, NY 11040 • Tel (516) 328-7500			
PART NAME		SPRING CONTACT	
MATERIAL		AS NOTED	
FINISH		DRN BY	DATE
NICKEL PLATE		NT	3.11.16
		APP'D	SCALE
		LN	3X
TOLERANCES	INCH [MM]	CODE	DWG NO.
DECIMAL	± .005 [± 0.13]	C	289
ANGULAR	± 1°		
UNLESS OTHERWISE SPECIFIED			

11.01.17	CHANGE AS PER ECN 17-061	A
DATE	DESCRIPTION	REV.