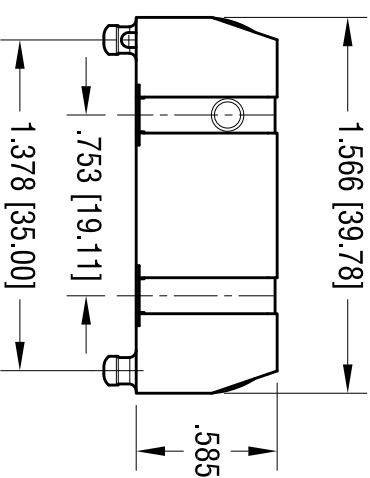
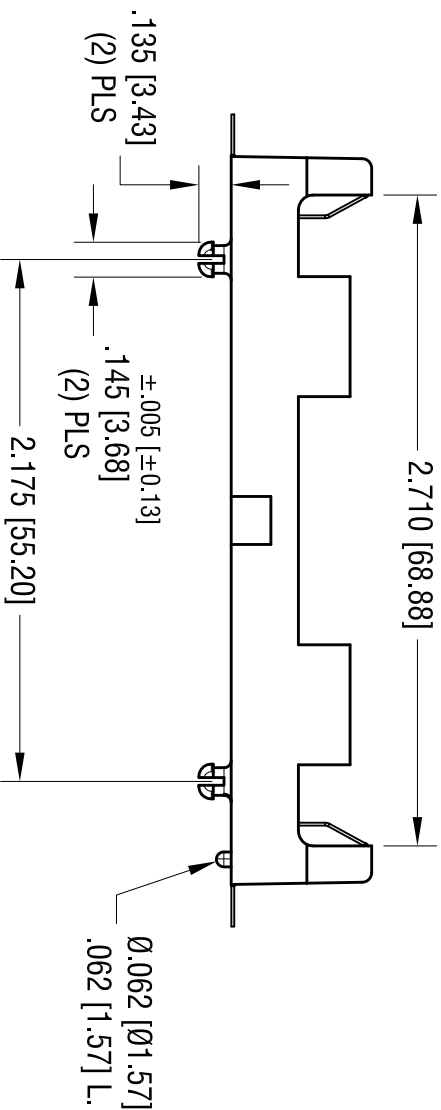
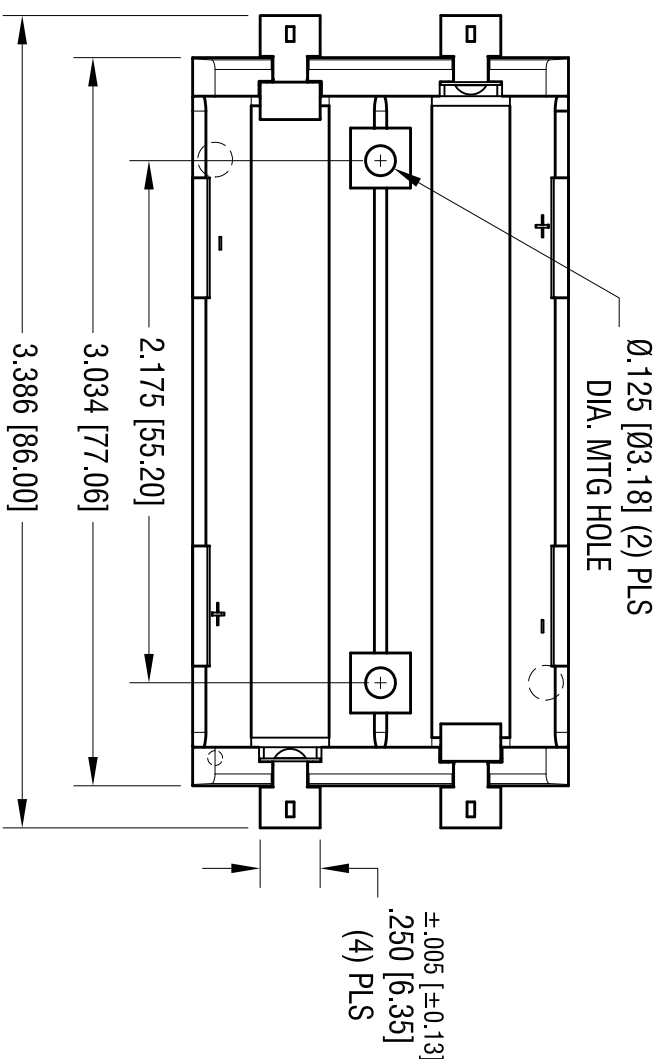
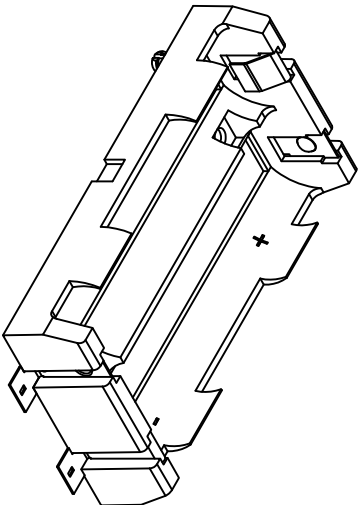
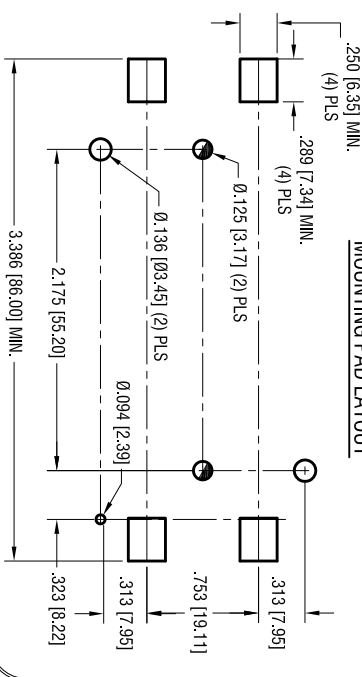


MOUNTING PAD LAYOUT



NOTE:

1. BASE:
MATL: HEAT RESISTANCE NYLON
STANYL 46 OR EQUIVALENT
2. CONTACT:
MATL: .012 [0.30] THK STAINLESS STEEL
FINISH: GOLD FLASH, OVER NICKEL PLATE
3. HOLDER DESIGNED FOR BATTERIES 67mm LONG
WITH BUILD IN CIRCUIT PROTECTION

DATE

10.08.13

DESCRIPTION

CHANGE AS PER ECN 13-091

REV.

A

KEYSTONE ELECTRONICS CORP.

www.keystone.com • ASTORIA, N.Y. 11105-2017 • Tel (718) 956-8900

PART NAME

DUAL SM POLARIZED HOLDER

MATERIAL

AS NOTED

FINISH

AS NOTED

TOLERANCES	INCH	[MM]	CODE	DRN BY	DATE
DECIMAL	± .010	[± 0.25]	C	NT	7.12.13
ANGULAR	± 1°			RH	SCALE 1.25X

THIS DOCUMENT IS THE PROPERTY OF KEYSTONE ELECTRONICS CORP. AND SHALL NOT BE REPRODUCED, DISTRIBUTED OR USED AS A BASIS FOR MANUFACTURE WITHOUT PRIOR WRITTEN PERMISSION FROM KEYSTONE ELECTRONICS CORP.

1048P