

DA18-M Series

18 Watts

Data Sheet

Total Power: 18 Watts
Input Voltage: 90 - 264 Vac
of Outputs: Single

SPECIAL FEATURES

- Medical and ITE Safeties
- Switching wallmount power supply
- Available in interchangeable & fixed ac plug configurations
- US and EU interchangeable AC plugs can be inserted in multiple orientations (straight or 90°)
- CE Mark EMC, LVD & ErP 2011
- Universal AC input
- Fully regulated output
- Overload and short circuit protection
- Thermal protection
- Energy Star and CeC compliant
- Efficiency level V
- Constant voltage
- High MTBF
- Built in EMI filter (CISPR 22 Class B)

SAFETY

- UL 60950, 60601-1
- cUL 60950, 60601-1
- TUV 60950-1, 60601-1
- AS/NZS 60950-1, 60601-1
- CB Certificate and report
- CE EMC, LVD & ErP 2011 for EU & UK versions



Electrical Specifications

Input	
Input range:	90 - 264 Vac (wide range)
Frequency:	47 - 63Hz
Inrush current:	28 A @ 264 Vac
Input current:	0.35 A rms @ 120 Vac; 0.25 A @ 240 Vac
EMI/RFI:	FCC Part 15, Subpart B Class B & EN55022 (CISPR 22) Class B
Safety ground leakage current:	100 μ A @ 50/60 Hz, 264 Vac input
Output	
Voltage (Vo):	12 V and 15 V versions
Voltage regulation:	\pm 5% @ constant voltage mode
Maximum Power (Po):	18 W
Hold-up time:	10 ms. typical at full load @ 230 Vac
Overvoltage protection:	Non-latching type
Overload protection:	Output shortcircuit protection auto recover Overload protected @ 150% above maximum rating
Overtemperature protection:	Auto recovery
Output cable/connector barrel polarity:	DC cable with 2.5 mm x 5.5mm barrel plug, 2.1 mm x 5.5 mm available on DC multi-plug version. For others please contact factory. DC plug center +v DC plug outer -v

Environmental Specifications

Operating temperature:	0 ° to +40 °C ambient
Storage temperature:	-40 °C to +85 °C
Electromagnetic susceptibility:	Designed to meet EN55024
Humidity:	Operating; non-condensing 5% to 95% RH
Vibration:	Frequency/PSD: 5 - 350 Hz 0.0001 g ² /Hz 350 - 500 Hz - 6dB/Oct. 500 Hz 0.00005 g ² /Hz Acceleration: 0.21 gRMS Duration: 20 min per second

AC Plug Configuration for Fixed Plug

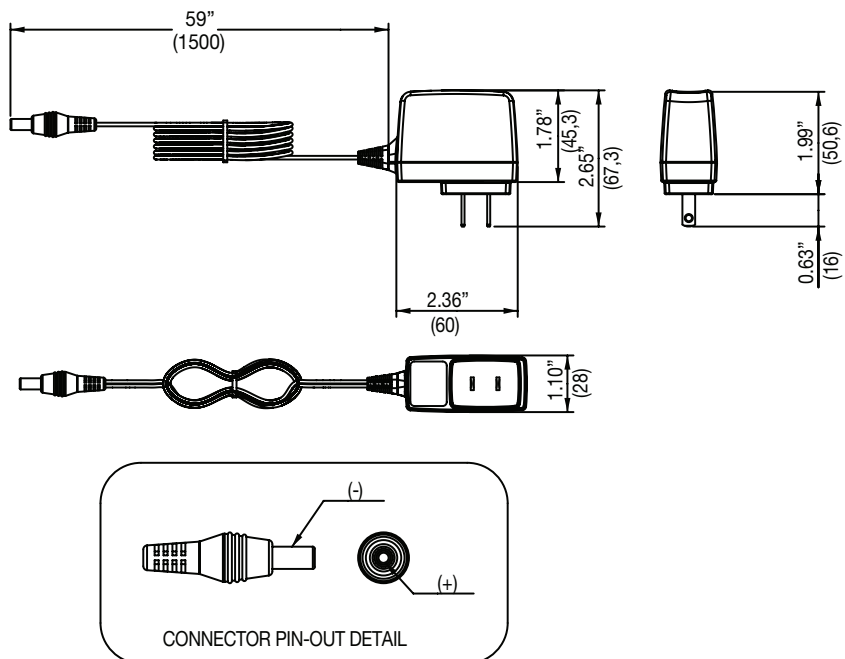
U.S. 2-prong	US
Europe 2-prong	EU
United Kingdom 3-prong	UK
Australia 2-prong	AU

AC Plug Configuration for Interchangeable Plug

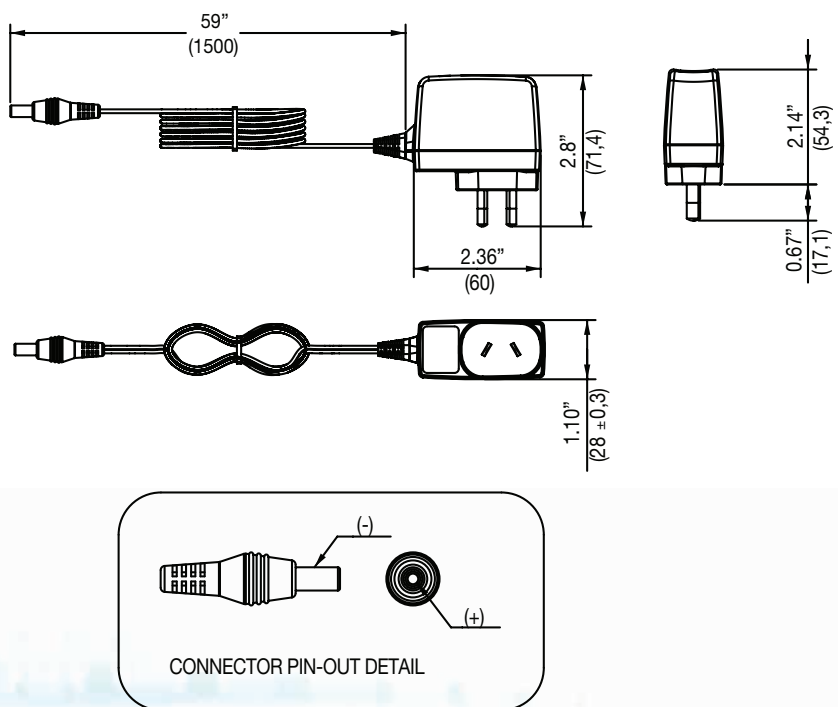
U.S. 2-prong	DA-US
Europe 2-prong	DA-EU
United Kingdom 3-prong	DA-UK
Australia 2-prong	DA-AU
C8 - 2 receptacle	DA-C8
Japan 2-prong	DA-JP
China 2-prong	DA-CH
Korea 2-prong	DA-KR

Mechanical Drawings

DA18-XXXUS-M

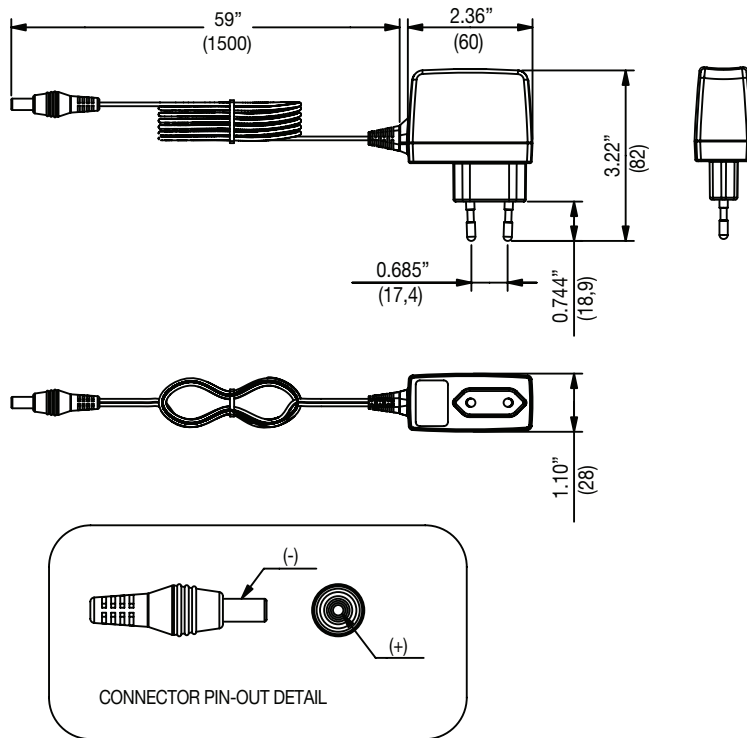


DA18-XXXAU-M

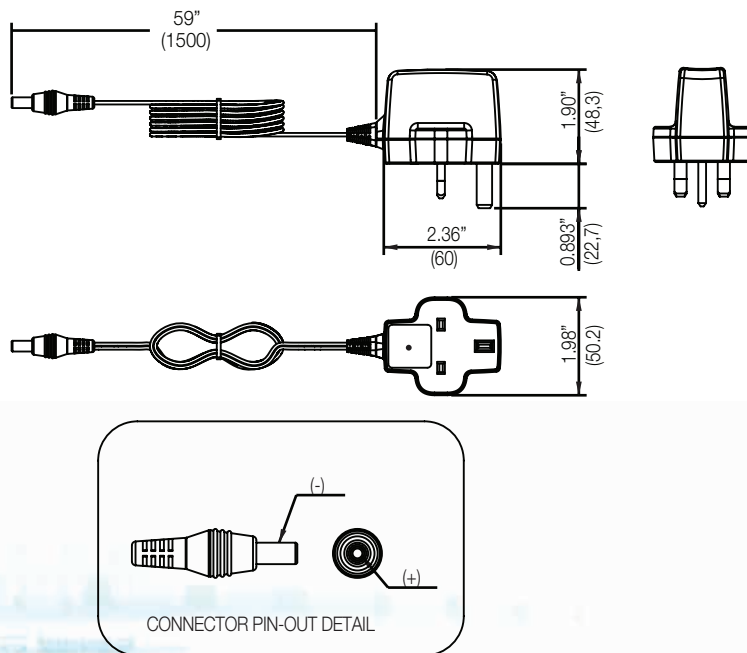


Mechanical Drawings

DA18-XXXEU-M

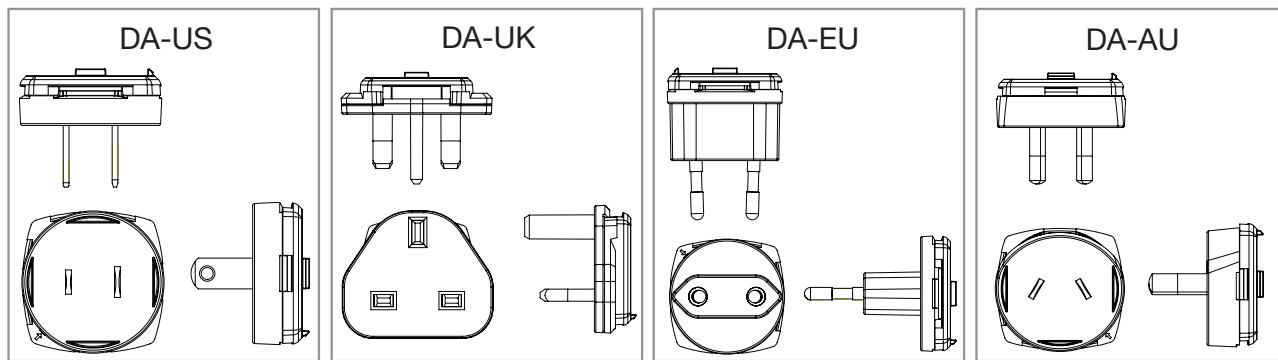
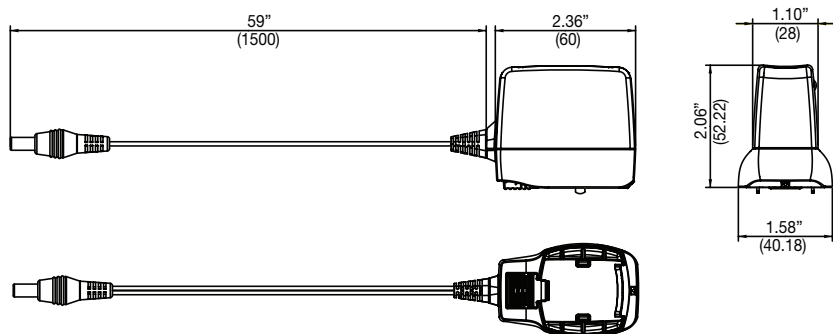


DA18-XXXUK-M



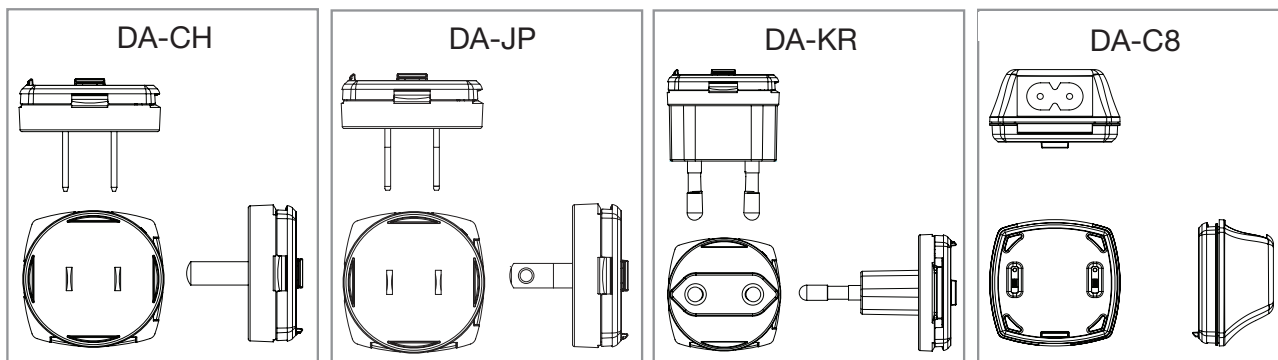
Mechanical Drawings

DA18-MP Interchangeable Plug Adapter



*Can be inserted straight or 90°

*Can be inserted straight or 90°



*Can be inserted straight or 90°

*Can be inserted straight or 90°

Notes:

1. Specifications subject to change without notice.
2. All dimensions in inches (mm), tolerance is ± .02".
3. Weight: 0.25 lb/0.114 kg
4. Warranty: 2 years

Ordering Information - DA18 Adapter

Model Number	Maximum Power	Output Voltage	Minimum Load	Maximum Load	Regulation ²	Ripple P/P (PARD) ³
DA18-120US-M	18 W	12.0 V	0 A	1.5	± 5%	120 mV
DA18-120EU-M	18 W	12.0 V	0 A	1.5	± 5%	120 mV
DA18-120UK-M	18 W	12.0 V	0 A	1.5	± 5%	120 mV
DA18-120AU-M	18 W	12.0 V	0 A	1.5	± 5%	120 mV
DA18-120MP-M*	18 W	12.0 V	0 A	1.5	± 5%	120 mV
DA18-120MP-M2.1**	18 W	12.0 V	0 A	1.5	± 5%	120 mV
DA18-150US-M	18 W	15.0 V	0 A	1.2	± 5%	150 mV
DA18-150EU-M	18 W	15.0 V	0 A	1.2	± 5%	150 mV
DA18-150UK-M	18 W	15.0 V	0 A	1.2	± 5%	150 mV
DA18-150AU-M	18 W	15.0 V	0 A	1.2	± 5%	150 mV
DA18-150MP-M*	18 W	15.0 V	0 A	1.2	± 5%	150 mV
DA18-150MP-M2.1**	18 W	15.0 V	0 A	1.2	± 5%	150 mV

* Interchangeable version - AC Plugs must be purchased separately to be used with DA18-120MP-M and DA18-150MP-M.

** 2.1 mm x 5.5 mm barrel plug

Ordering Information - DA18 Interchangeable Plug

Model Number	
DA-US	DA-C8
DA-EU	DA-JP
DA-UK	DA-CH
DA-AU	DA-KR
DA-All (Includes DA-US, DA-EU, DA-UK, and DA-AU)	

1. Peak current lasting < 30 seconds with a maximum 10% duty cycle.
2. At 25 °C including initial tolerance, line voltage, load currents and output voltages adjusted to factory settings.
3. Peak-to-peak with 20 mHz bandwidth and 10 µF in parallel with a 0.1 µF capacitor at rated line voltage and load ranges.
4. Power supplies will operate with no-load.

WORLDWIDE OFFICES

Americas

2900 South Diablo Way
Suite B100
Tempe, AZ 85282, USA
+1 888 412 7832

Europe (UK)

Ground Floor Offices, Barberr House
4 Harbour Buildings, Waterfront West
Brierley Hill, West Midlands
DY5 1LN, UK
+44 (0) 1384 842 211

Asia (HK)

14/F, Lu Plaza
2 Wing Yip Street
Kwun Tong, Kowloon
Hong Kong
+852 2176 3333

ARTESYNTM
An Advanced Energy Company

www.artesyn.com

Artesyn Embedded Technologies, Artesyn Embedded Power, Artesyn, and all Artesyn related logos are trademarks and service marks of Artesyn Embedded Technologies, Inc. All other names and logos referred to are trade names, trademarks, or registered trademarks of their respective owners. Specifications are subject to change without notice. © 2019 Artesyn Embedded Technologies, Inc. All rights reserved. For full legal terms and conditions, please visit www.artesyn.com/legal.

For more information: www.artesyn.com
For support: productsupport.ep@artesyn.com