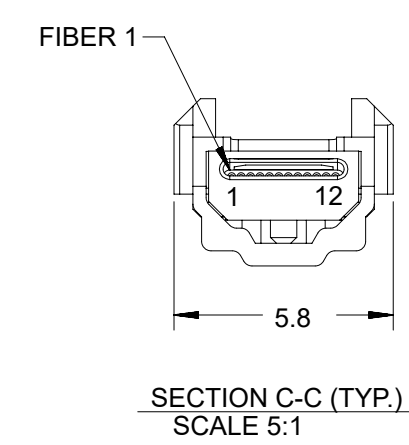
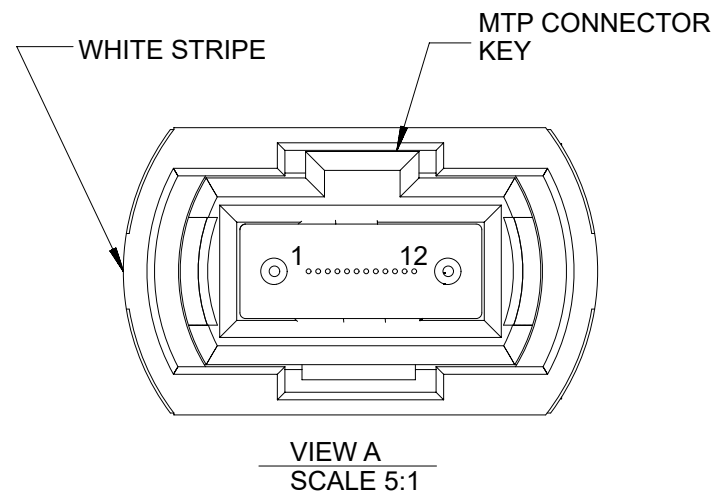
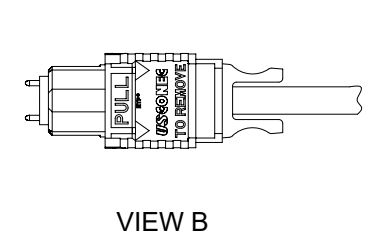
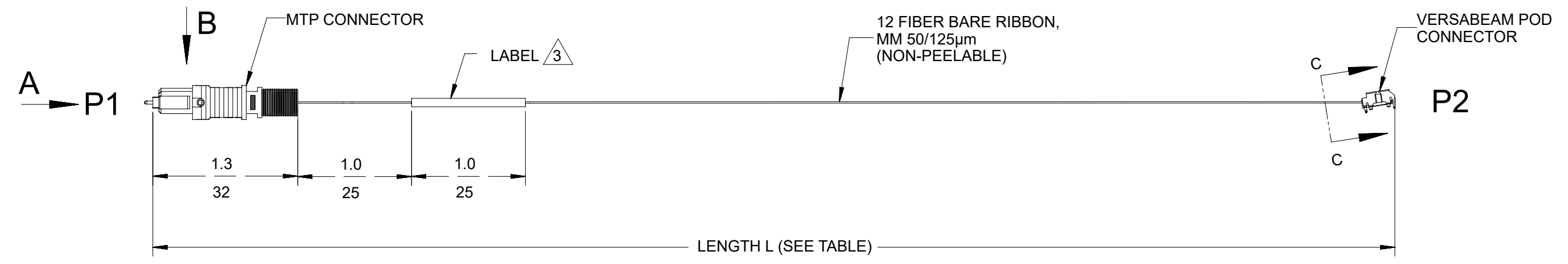


JUMPER P/N	LENGTH L m [in]	MTP CONN. TYPE
106267-2001	0.5 +0.1/-0 [19.69 +4.0/-0]	FEMALE
106267-2011	0.5 +0.1/-0 [19.69 +4.0/-0]	MALE
106267-2013	0.2 +0.05/-0 [8.0 +2.0/-0]	

CONNECTIONS	
P1-1 THRU P1-12	P2-1 THRU P2-12



- NOTES:
- DUST CAPS ARE NOT SHOWN BUT INCLUDED. MTP MALE CONNECTOR IS SHOWN. FEMALE CONNECTOR DOES NOT CONTAIN PINS.
  - INSERTION LOSS @ 850nm TO AN INTERPOSER: 2.0 dB. THROUGHPUT LOSS (MTP+VERSABEAM POD): 1.2dB. TEST DATA IS SENT WITH JUMPER.
  - LABEL IS PRINTED WITH MOLEX NAME, PART NUMBER AND SERIAL NUMBER.

THIS DRAWING CONTAINS INFORMATION THAT IS PROPRIETARY TO MOLEX ELECTRONIC TECHNOLOGIES, LLC AND SHOULD NOT BE USED WITHOUT WRITTEN PERMISSION

DIMENSION UNITS <b>INCH/MM</b>	SCALE <b>1:1</b>	CURRENT REV DESC: OBSOLETE PART NUMBERS AS PER PCN#506884	<b>molex</b>		
GENERAL TOLERANCES (UNLESS SPECIFIED)		EC NO: 662763			
4 PLACES ±	MM INCH	DRWN: SKANDB 2021/01/27	PRODUCT CUSTOMER DRAWING		
3 PLACES ±		CHK'D: GGA 2021/06/01	DOCUMENT NUMBER		
2 PLACES ±		APPR: GGA 2021/06/01	SD-106267-2001		DOC TYPE DOC PART REVISION
1 PLACE ±		INITIAL REVISION:			
0 PLACES ±		DRWN: EEFUNG 2010/08/09			
ANGULAR TOL ± 0.5°		APPR: 2010/08/27			
DRAFT WHERE APPLICABLE MUST REMAIN WITHIN DIMENSIONS	THIRD ANGLE PROJECTION	DRAWING B-SIZE	SERIES 106267	MATERIAL NUMBER SEE TABLE	CUSTOMER GENERAL MARKET
					SHEET NUMBER 1 OF 1

DOCUMENT STATUS	P1	RELEASE DATE	2021/06/01 13:36:35
-----------------	----	--------------	---------------------