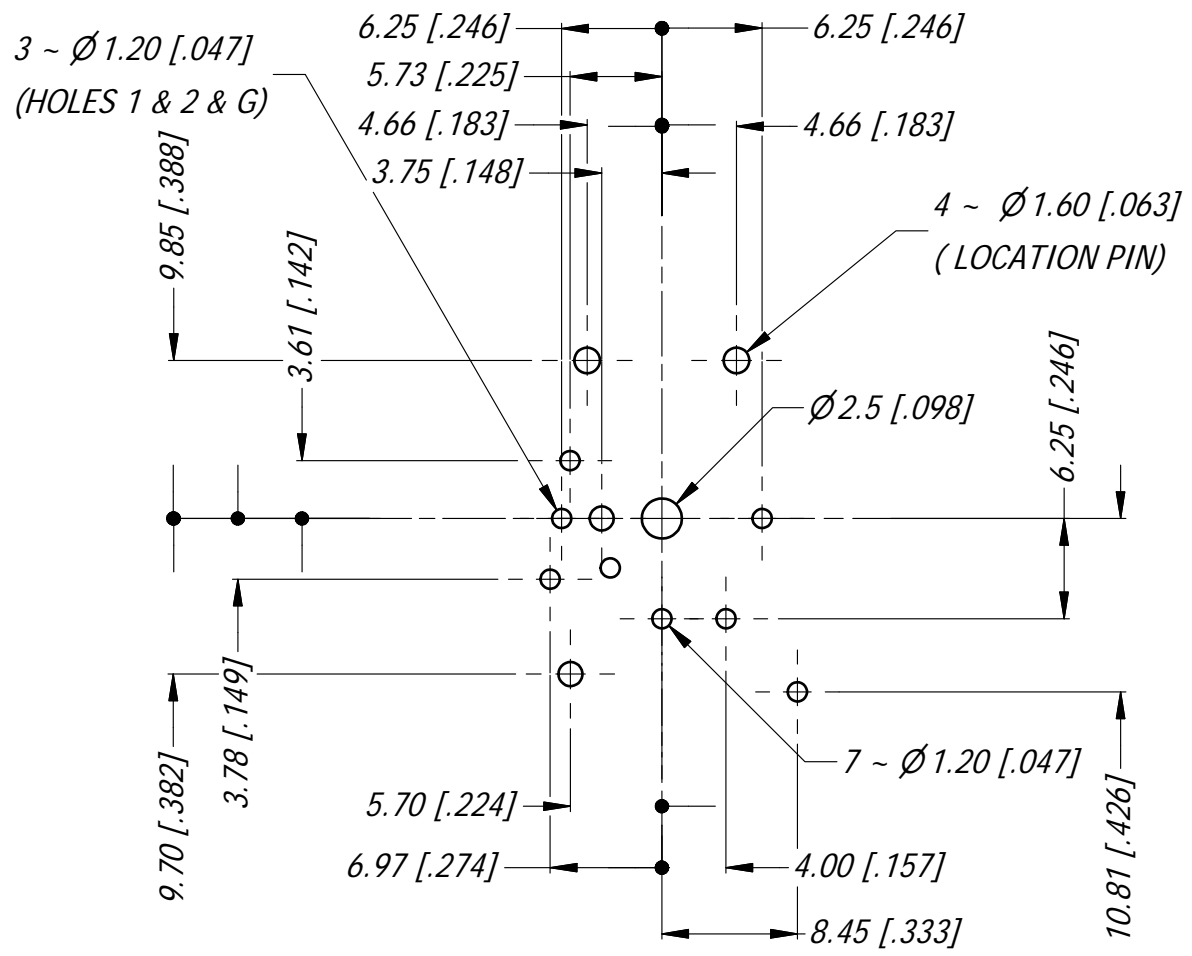
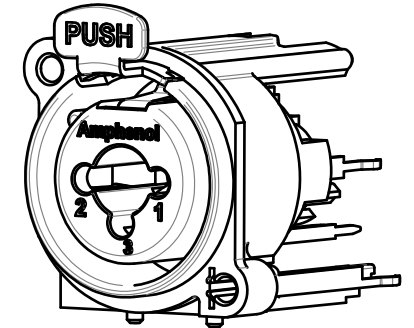
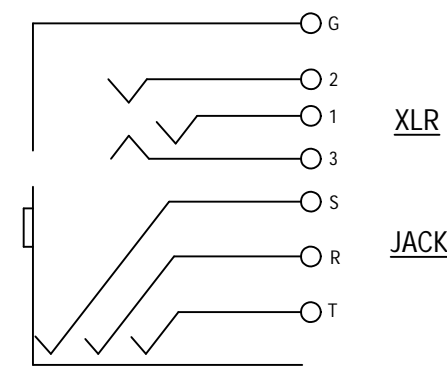


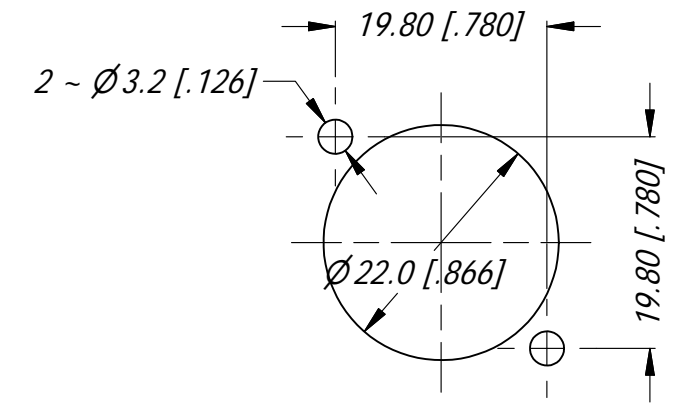
MIN MOUNTING PITCH



PCB LAYOUT SCALE 3:2



CONTACT SCHEMATIC DIAGRAM



PANEL CUT OUT

UNLESS OTHERWISE SPECIFIED TOLERANCE TO BE	
LINEAR	ANGULAR
X ± 0.5	X' ± 1
X.X ± 0.1	X.X' ± 30'
X.XX ± 0.05	X.X'X' ± 15'
BREAK ALL SHARP EDGES AND REMOVE ALL BURRS	
DO NOT SCALE	
DIMENSIONS IN MILLIMETRES	

THIS DOCUMENT IS THE PROPERTY OF AMPHENOL AUSTRALIA PTY. LTD. NO PART THEREOF MAY BE REPRODUCED AND USED WITHOUT THE PRIOR WRITTEN CONSENT OF THE OWNER.

MATERIAL:	DRN: T.N	DATE: 17/04/12
FINISH:	CKD: P.M	DATE: 18/04/12
	APP'D: P.M	DATE: 18/04/12
	SCALE: 1:1	SIZE: A4

Amphenol

Amphenol Australia Pty.Ltd,
22 Industry Blvd, Carrum Downs VIC 3201

TITLE:
**C TYPE LOW PROFILE
6 CONTACTS VERTICAL**
CUSTOMER DWG

PART No: ACJC6AV	REV 2
DRAWING No. 55010814-000	SHEET 6 / 16