



PART NO:

ARA00499

DRAWING NO:

ARA00499

PAGE:

1 OF 2

SPECIFICATION/SOURCE CONTROL DOCUMENT

DESCRIPTION: **CHOK EMI**

SPECIFICATION CONTROL

SOURCE CONTROL

CERTIFICATION OF CONFORMANCE REQUIRED: ____

SAFETY AGENCY CONTROL

UL ____

CSA ____

VDE/TUV ____

RoHS __Y__

MANUFACTURER

MANUFACTURER PART NUMBER

FIRST:

DENSEI-LAMBDA

A21004B

SECOND:

THIRD:

UNIT OF MEASURE: **EACH**

PACKAGING: **TRAY**

REV	DATE	ECO	ENG	ENG	SFTY	Q.A.	DESCRIPTION
P1	10/16/07						NPR 1726

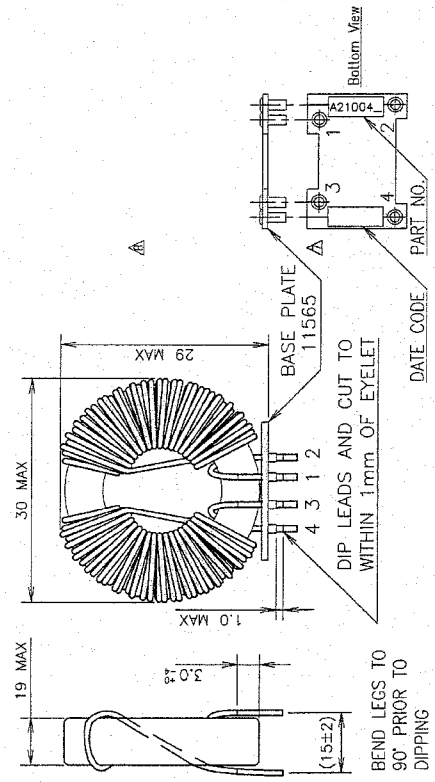
ENGINEERING NOTES:

RoHS COMPLIANCE

MODEL : MVC650

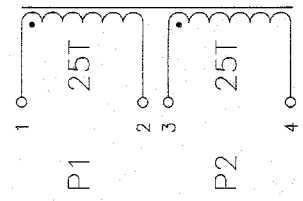
1. TITLE : CHOKE COIL SPEC
 ▲(A21004B)

2. OUTLINE & DIMENSIONS

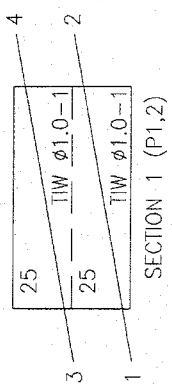


4. SPECIFICATIONS

1. CONNECTIONS



5. CONSTRUCTION



3. PARTS LIST

PARTS LIST	CATALOG No.	MANUFACTURE	REMARKS
1 CORE	TL25/15/10-3E6 H25x15x10 (R12K)	PHILIPS DMECC	
2 BASE PLATE	11565	COLTANT	
3 WINDING WIRE	TIW φ1.0	TOYOKU	φ1.0

2. WINDING SPECIFICATIONS

SECTION	CONNECTION	WINDING DIA.	NET TURNS	REMARKS
1	1 → 2	TIW φ1.0	1 25	P1
2	3 → 4	TIW φ1.0	1 25	P2
3	WITH-STAND VOLTAGE	COIL(P1)-COIL(P2)	AC3000V, 3sec or AC3000V, 1min	
4	INSULATION RESISTANCE	P - S		
5	INDUCTANCE	f=1kHz	6325μH±2000μH (1-4)	
6	TEMPERATURE RATING		CLASS F	
7	APPLICABLE SAFETY STANDARDS		UL, CSA, EN	
8	INSULATION SYSTEM			

6. INSTRUCTIONS

ITEM	CONTENTS
1 MARKING	STAMP
2 FIXING MATERIAL	NO
3 CUT PIN	NO
4 SPRING	NO
5 IMPREGNATION	NO
6 SOLDER	LEAD FREE NECESSARY (Sn-3.0Ag-0.5Cu)

▲ NOTE

RoHS Compliance :
 Refer to D-L Group Green Procurement
 Guideline : DL-EMS-010_

NO	REV	DATE	ENGR	CHK	APPD	SCALE	TITLE
1	01	20 Jul '07	A. HAGA	MOTOHASHI	HAGA	1/1	MVC650
2	02	24/May/'05	Moriyama	Motohashi	Haga	1/1	CHOKE COIL SPEC
3	03	13/Sep/'04	Y.ohtaki	Y.Akinaga	Juichi	1/1	DRAWING No.
4	04	20/Jun/'03	Y.ohtaki	H.Matsumoto	Juichi	1/1	A210-35-04

NO	REV	DATE	ENGR	CHK	APPD	SCALE	TITLE
1	01	20 Jul '07	A. HAGA	MOTOHASHI	HAGA	1/1	MVC650
2	02	24/May/'05	Moriyama	Motohashi	Haga	1/1	CHOKE COIL SPEC
3	03	13/Sep/'04	Y.ohtaki	Y.Akinaga	Juichi	1/1	DRAWING No.
4	04	20/Jun/'03	Y.ohtaki	H.Matsumoto	Juichi	1/1	A210-35-04

DENSEI-LAMBDA

Mouser Electronics

Authorized Distributor

Click to View Pricing, Inventory, Delivery & Lifecycle Information:

[TDK-Lambda:](#)

[ARA00499](#)