

## High Accuracy Three Axis Accelerometer

### ■ GENERAL DESCRIPTION

The M-A352 is a three axis digital output accelerometer featuring ultra-low noise, high stability, and low power consumption using fine processing technology of Quarts. Incorporating both high accuracy and durability, the versatile M-A352 is well suited to a wide-range of challenging applications such as SHM, seismic observation, condition monitoring for industrial equipment, and pose detection for industrial machinery (i.e. construction machinery/attachments, agricultural machinery/ implements, robots).

### ■ FEATURES

- Ultra-low noise: 0.2 $\mu$ G/ $\sqrt{\text{Hz}}$  typ.
- Improved shock resistance: 1,000G
- Selectable output format: Acceleration / Tilt Angle
- Selectable interface: SPI / UART
- Programmable low-pass digital filters
- Low jitter external trigger function for synchronous sampling
- Solid Metallic Case (Size : 48mm x 24mm x 16mm, Weight: 25g)



### ■ SPECIFICATION

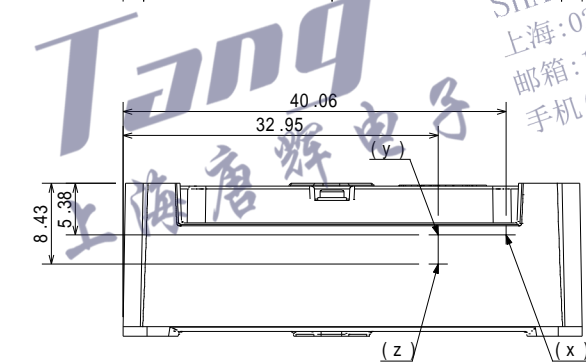
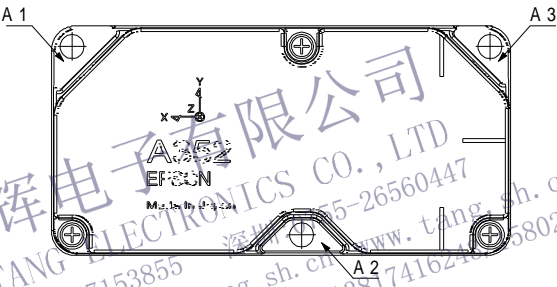
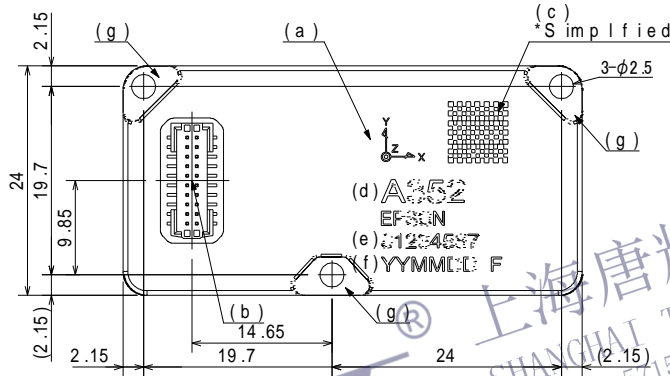
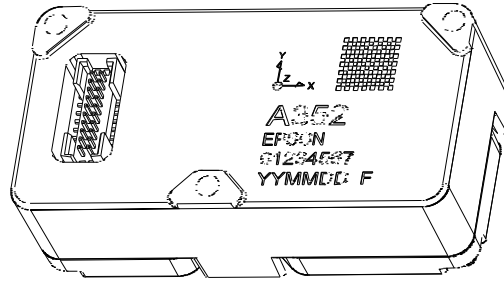
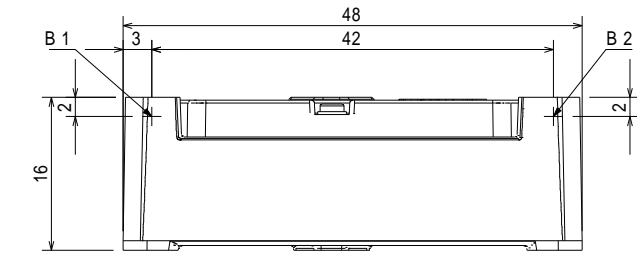
T<sub>A</sub>=-30°C to +85°C, VCC=3.15V~3.45V,  $\leq \pm 1\text{G}$ , unless otherwise noted.

| Parameter                              | Test Conditions / Comments                                       | Min  | Typ             | Max        | Unit                                 |
|--|--|------|-----------------|------------|--------------------------------------|
| <b>SPECIFICATIONS</b>                  |  |      |                 |            |                                      |
| Output Dynamic Range                   | f = DC ~ 460Hz   |      |                 | $\pm 15$   | G                                    |
| Scale Factor                           | 2 <sup>-24</sup> G/LSB   |      | 0.06            |            | $\mu\text{G}/\text{LSB}$             |
| Sensitivity Error                      | 25°C, $\leq 1\text{G}$   |      | $\pm 500$       |            | $\times 10^{-6}$ (ppm)               |
| Nonlinearity                           | $\leq 1\text{G}$ , Best fit straight line, RT                    |      |                 | $\pm 0.03$ | % of FS                              |
| Misalignment                           | 25°C   |      |                 | $\pm 0.1$  | Deg                                  |
| Initial Error                          | 25°C   |      |                 | $\pm 2$    | mG                                   |
| Bias Repeatability                     | T <sub>A</sub> =25°C and VCC=3.3V<br>for one year after shipment |      | 3               |            | mG                                   |
| Bias Temperature Error                 | 25°C   |      |                 | $\pm 2$    | mG                                   |
| Noise Density                          | 25°C, Avg, f = 0.5Hz ~ 6Hz                                       |      | 0.2             | 0.7        | $\mu\text{G}/\sqrt{\text{Hz}}$ , rms |
| Cantilever Resonance frequency         | 25°C, VCC3.3V  |      | 850             |            | Hz                                   |
| VRC                                    | at 50Hz, 25°C, VCC3.3V   |      |                 | $\pm 50$   | $\mu\text{G}/\text{G}^2$             |
| Power Supply Current                   | Standard noise floor condition,<br>200Sps, Average               |      | 13.2            | 18.0       | mA                                   |
|  | Reduced noise floor condition,<br>200Sps, Average                |      | 16.2            | 20.0       | mA                                   |
|  | Sleep mode   |      | 1.3             | 2.0        | mA                                   |
| <b>FUNCTION</b>                        |  |      |                 |            |                                      |
| Built-in LPF Cut off                   | -6dB at 25°C, selectable   | 9    |                 | 460        | Hz                                   |
| User LPF                               |  |      | 4, 64, 128, 512 |            | Tap                                  |
| Output Data Rate                       |  | 50   |                 | 1,000      | Sps                                  |
| Ext.Trigger Input Cycle                |  | 1    |                 | 20         | ms                                   |
| Ext.Trigger Jitter                     | ADC's completion to Ext.Trigger input                            | 0    |                 | 5          | $\mu\text{s}$                        |
| <b>RECOMMENDED OPERATING CONDITION</b> |  |      |                 |            |                                      |
| VCC to GND                             |  | 3.15 | 3.3             | 3.45       | V                                    |
| Operating temperature range            | No condensation  | -30  |                 | 85         | °C                                   |
| <b>ABSOLUTE MAXIMUM RATINGS</b>        |  |      |                 |            |                                      |
| Acceleration/Shock                     | Half-sine 0.2msec  |      | 1,000           |            | G                                    |
| MTBF                                   | JIS-C5003, 60% reliability leve                                  |      | 87,600          |            | Hour                                 |
| Storage Temperature Range              | No condensation  | -40  |                 | 85         | °C                                   |

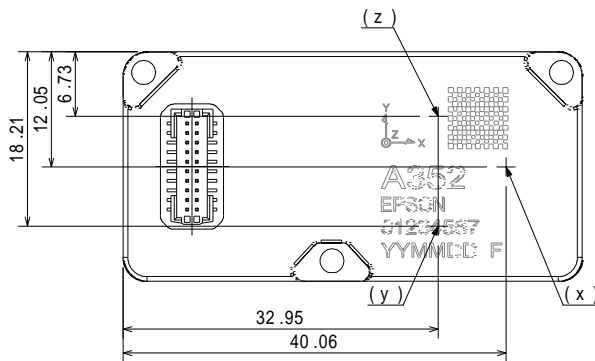
Note) This accelerometer is referenced to the standard gravity acceleration value. (9.80665m/s<sup>2</sup>)

# M-A352AD10

## OUTLINE DIMENSIONS



|     |   |
|-----|---|
| (a) | Directions of the detection axes  |
| (b) | Connector Position  |
| (c) | Matrix Code ( DataMatrix )<br>Including Product Name & S/N<br>& Date & Factory Code |
| (d) | Product Name  |
| (e) | Serial Number   |
| (f) | Date & Factory Code   |
| (g) | Frame Ground  |
| (x) | X Axis Sensor Position  |
| (y) | Y Axis Sensor Position  |
| (z) | Z Axis Sensor Position  |



### Header Part Number

| Maker  | Parts Number        | RoHS Compliant |
|--------|---------------------|----------------|
| Samtec | FTMH-110-02-L-DV-ES | Yes            |

### Recommended socket parts at the host side

| Maker  | Parts Number   | RoHS Compliant |
|--------|----------------|----------------|
| Samtec | CLM-110-02-H-D | Yes            |
| Samtec | CLM-110-02-L-D | Yes            |

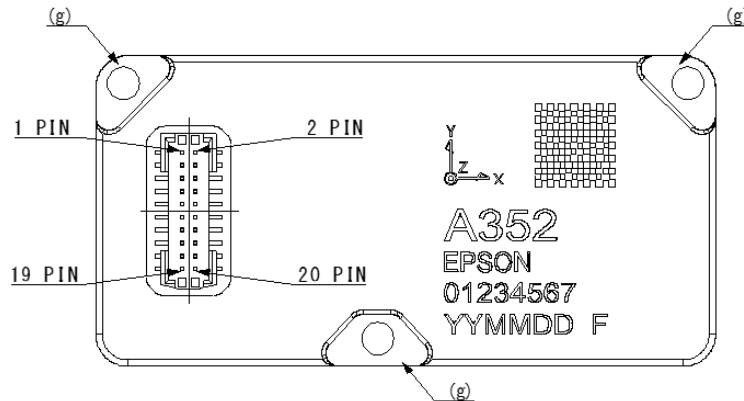
\*1) This product is calibrated based on the surfaces A1, A2, A3, and B1, B2.

\*2) In order to demonstrate the performance of the product properly, please fix surfaces A1, A2, A3 to rugged parts with M2 screw.

\*3) When high connection reliability is required, please tighten this product together with the board on which the connector is mounted.

# M-A352AD10

## ■PIN LAYOUT AND FUNCTION



| Pin No.     | Mnemonic | Type <sup>*1</sup> | Description                                    |
|-------------|----------|--------------------|--|
| 1           | SCLK     | I                  | SPI Serial Clock <sup>*2</sup>                 |
| 2           | SDO      | O                  | SPI Data Output <sup>*2</sup>                  |
| 5           | SDI      | I                  | SPI Data Input <sup>*2</sup>                   |
| 6           | /CS      | I                  | SPI Chip Select <sup>*2</sup>                  |
| 7           | SOUT     | O                  | UART Data Output <sup>*2,3</sup>               |
| 9           | SIN      | I                  | UART Data Input <sup>*2</sup>                  |
| 13          | DRDY     | O                  | Data Ready                                     |
| 14          | EXT      | I                  | External Trigger Input<br>(Sleep Wakeup Input) |
| 16          | /RST     | I                  | Reset  |
| 10,11,12    | VCC      | S                  | Power Supply 3.3V                              |
| 3,4,8,15    | GND      | S                  | Ground <sup>*3</sup>                           |
| 17,18,19,20 | NC       | N/A                | Do Not Connect                                 |

\*1 Pin Type I: Input, O: Output, I/O: Input/Output, S: Supply, N/A: Not Applicable

\*2 Connect only one of the serial interfaces (SPI or UART) at a time. This product malfunctions when both SPI and UART are connected at the same time.

\*3 Please connect (g) Frame Ground to any GND pin (No.3, 4, 8, 15).

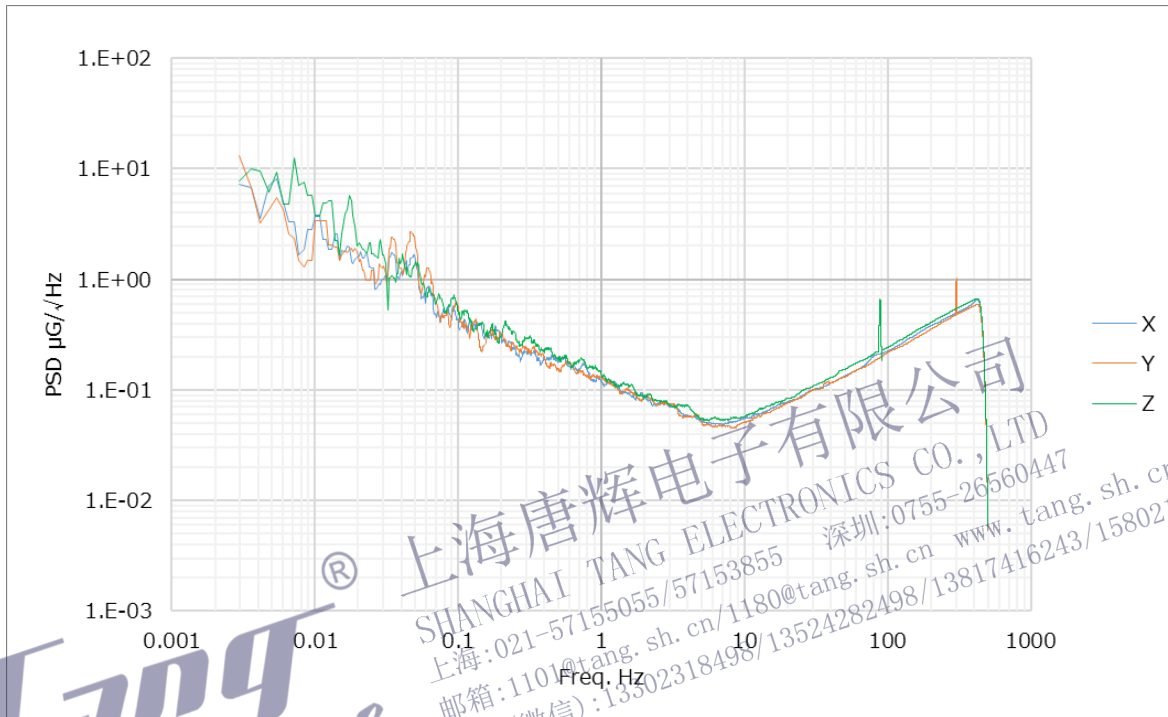
## ■EVALUTION TOOLS

Evaluation tools can be provided for the M-A352. For details, contact our representatives.

| Product Model Number | Product Name | Comments  |
|----------------------|--------------|---|
| X2H000021000200      | M-G32EV041   | USB Evaluation Board for M-A352AD10<br>*Works with Logger Software.     |
| X2H000021000300      | M-G32EV051   | Relay board for M-A352AD10<br>*Combination with M-G32EV041 is possible. |

## ■ Noise Density Data

Power Spectrum Density (Reduced noise floor condition)



### Notice of the Document

NOTICE : PLEASE READ CAREFULLY BELOW BEFORE THE USE OF THIS DOCUMENT ©Seiko Epson Corporation 2022

- 1.The content of this document is subject to change without notice. Before purchasing or using Epson products, please contact with sales representative of Seiko Epson Corporation ("Epson") for the latest information and be always sure to check the latest information published on Epson's official web sites and resources.
- 2.This document may not be copied, reproduced, or used for any other purposes, in whole or in part, without Epson's prior consent.
- 3.Information provided in this document including, but not limited to application circuits, programs and usage, is for reference purpose only. Epson makes no guarantees against any infringements or damages to any third parties' intellectual property rights or any other rights resulting from the information. This document does not grant you any licenses, any intellectual property rights or any other rights with respect to Epson products owned by Epson or any third parties.
- 4.Using Epson products, you shall be responsible for safe design in your products; that is, your hardware, software, and/or systems shall be designed enough to prevent any critical harm or damages to life, health or property, even if any malfunction or failure might be caused by Epson products. In designing your products with Epson products, please be sure to check and comply with the latest information regarding Epson products (including, but not limited to this document, specifications, data sheets, manuals, and Epson's web site). Using technical contents such as product data, graphic and chart, and technical information, including programs, algorithms and application circuit examples under this document, you shall evaluate your products thoroughly both in stand-alone basis and within your overall systems. You shall be solely responsible for deciding whether to adopt/use Epson products with your products.
- 5.Epson has prepared this document carefully to be accurate and dependable, but Epson does not guarantee that the information is always accurate and complete. Epson assumes no responsibility for any damages you incurred due to any misinformation in this document.
- 6.No dismantling, analysis, reverse engineering, modification, alteration, adaptation, reproduction, etc., of Epson products is allowed.
- 7.Epson products have been designed, developed and manufactured to be used in general electronic applications and specifically designated applications ("Anticipated Purpose"). Epson products are NOT intended for any use beyond the Anticipated Purpose that requires particular quality or extremely high reliability in order to refrain from causing any malfunction or failure leading to critical harm to life and health, serious property damage, or severe impact on society, including, but not limited to listed below ("Specific Purpose"). Therefore, you are strongly advised to use Epson products only for the Anticipated Purpose. Should you desire to purchase and use Epson products for Specific Purpose, Epson makes no warranty and disclaims with respect to Epson products, whether express or implied, including without limitation any implied warranty of merchantability or fitness for any Specific Purpose. Space equipment (artificial satellites, rockets, etc.)/Transportation vehicles and their control equipment (automobiles, aircraft, trains, ships, etc.)/Medical equipment/Relay equipment to be placed on sea floor/ Power station control equipment/Disaster or crime prevention equipment/Traffic control equipment/Financial equipment Other applications requiring similar levels of reliability as the above
- 8.Epson products listed in this document and our associated technologies shall not be used in any equipment or systems that laws and regulations in Japan or any other countries prohibits to manufacture, use or sell. Furthermore, Epson products and our associated technologies shall not be used for the purposes of military weapons development (e.g. mass destruction weapons), military use, or any other military applications. If exporting Epson products or our associated technologies, please be sure to comply with the Foreign Exchange and Foreign Trade Control Act in Japan, Export Administration Regulations in the U.S.A (EAR) and other export-related laws and regulations in Japan and any other countries and to follow their required procedures.
- 9.Epson assumes no responsibility for any damages (whether direct or indirect) caused by or in relation with your non-compliance with the terms and conditions in this document or for any damages (whether direct or indirect) incurred by any third party that you give, transfer or assign Epson products.
- 10.For more details or other concerns about this document, please contact our sales representative.
- 11.Company names and product names listed in this document are trademarks or registered trademarks of their respective companies.

### SEIKO EPSON CORPORATION

MD SALES & MARKETING DEPT.

29th Floor, JR Shinjuku Miraina Tower, 4-1-6 Shinjuku, Shinjuku-ku, Tokyo,  
160-8801, Japan  
Phone: +81-3-6682-4322 FAX: +81-3-6682-5016

Modified; APR. 2022

M-A352 Brief sheet Rev 20220401