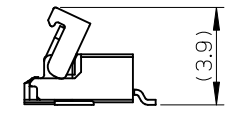
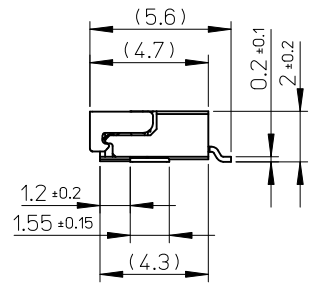
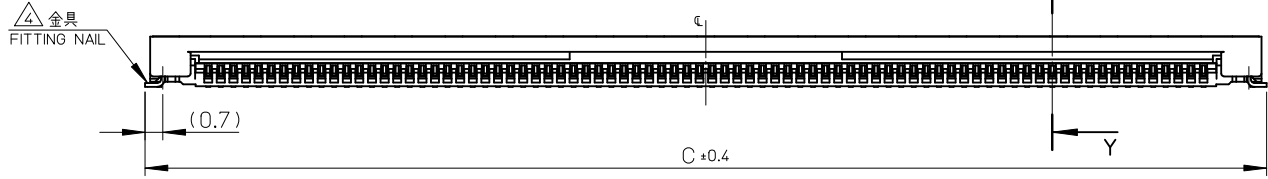


SECTION Y-Y
SCALE 15:1



アクチュエータ開口した状態
(WHEN ACTUATOR IS OPENED)

注記 NOTES

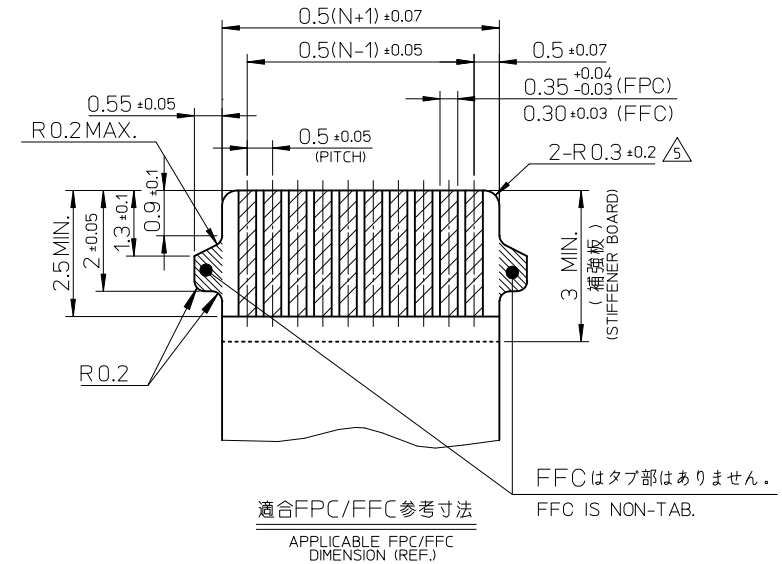
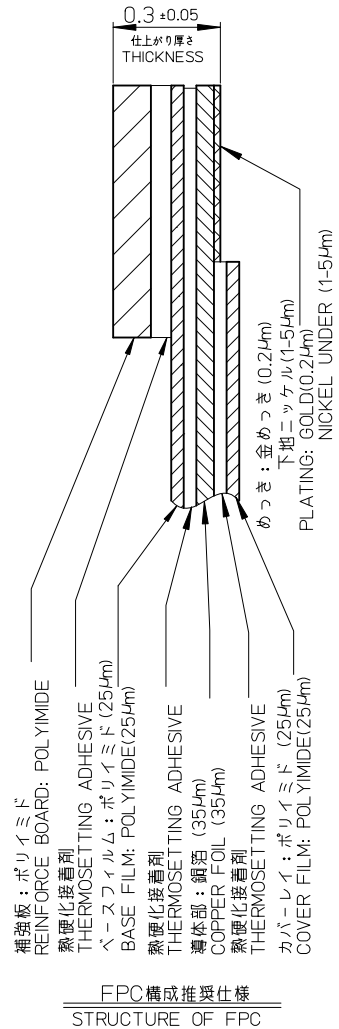
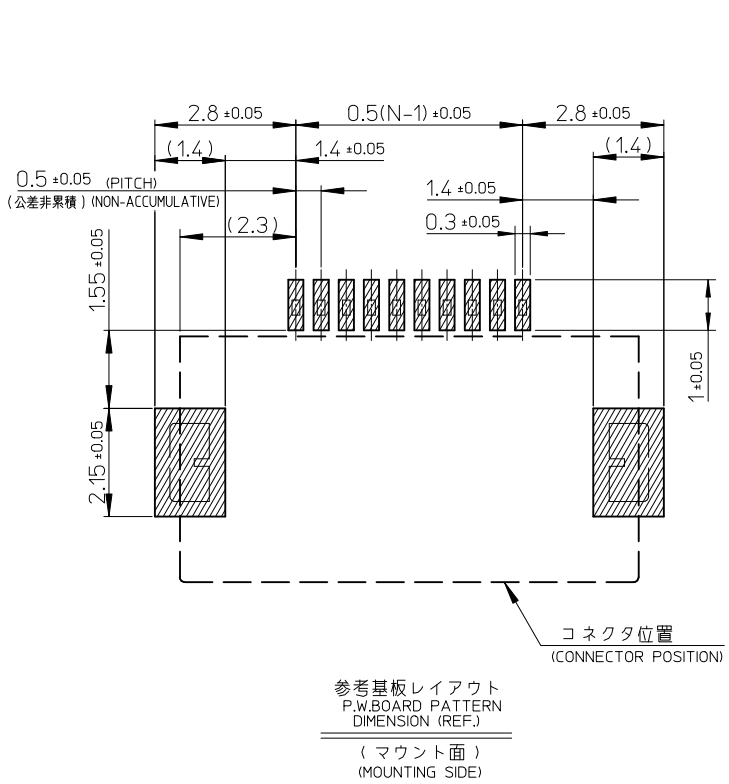
1. 使用材料 MATERIAL
 ハウジング : 液晶ポリマー ガラス充填, UL94-V0(黒)
 HOUSING : LIQUID CRYSTAL POLYMER
 GLASS FILLED, UL94V-0(BLACK)
 アクチュエータ : PPS ガラス充填, UL94-V0(黒)
 ACTUATOR : PPS GLASS FILLED, UL94V-0(BLACK)
 ターミナル : リン青銅(t=0.203)
 TERMINAL : PHOSPHOR BRONZE
 金具 : リン青銅(t=0.152)
 FITTING NAIL : PHOSPHOR BRONZE
2. めっき仕様 PLATING
 ターミナル TERMINAL
 ニッケル下地金めっき
 GOLD(Au) OVER NICKEL(Ni) PLATING.
 金具 FITTING NAIL
 錫めっき
 TIN(Sn) PLATING.
3. エンボステープ梱包時は、アクチュエータが閉じた状態とする。
 IN THE PACKAGE, ACTUATOR OF
 PART 503366-**11 SHOULD BE CLOSED.

4. R0.3は、FPC導体部にかからないこと。
 R0.3 MUST NOT BE OVERLAPPED
 TO PATTERN OF FPC.
6. N: 極数 N: CIRCUIT.
7. ELV及びRoHS適合品
 ELV AND RoHS COMPLIANT

△ パターン剥離止め用金具
 FITTING NAIL FOR PREVENTION OF
 PEELING OF P.C.B. PATTERN.

44.5	39.5	44.1	503366-8011	80
34.5	29.5	34.1	503366-6011	60
C	B	A	EMBOSSED TAPE	CIRCUIT
ORDER No. オーダー番号				
CONNECTOR SERIES No. : 503366-**19				

REVISED EC NO: J2010-2127 DRWN: YKOBAYASHI 02 2010/04/22 CHKD: NMATSUURA 2010/04/23 APPR: KMORIKAWA 2010/04/25	DESCRIPTION A	GENERAL TOLERANCES (UNLESS SPECIFIED)		DIMENSION STYLE MM ONLY		SCALE 5:1	DESIGN UNITS METRIC	THIRD ANGLE PROJECTION	
		10 UNDER	± ---	DRAWN BY YKOBAYASHI 02	DATE 2010/01/05	TITLE 0.5FPC E/O H=2 GANG ASSY TYPE HOUSING ASSY			
		10 OVER 30 UNDER	± ---	CHECKED BY NMATSUURA	DATE 2010/01/05	MOLEX INCORPORATED			
		30 OVER	± ---	APPROVED BY KMORIKAWA	DATE 2010/01/05	DOCUMENT NO. SD-503366-001			
ANGULAR ±1 °		DRAFT WHERE APPLICABLE MUST REMAIN WITHIN DIMENSIONS		SEE CHART		SHEET NO. 1 OF 2		MATERIAL NO.	
THIS DRAWING CONTAINS INFORMATION THAT IS PROPRIETARY TO MOLEX INCORPORATED AND SHOULD NOT BE USED WITHOUT WRITTEN PERMISSION									



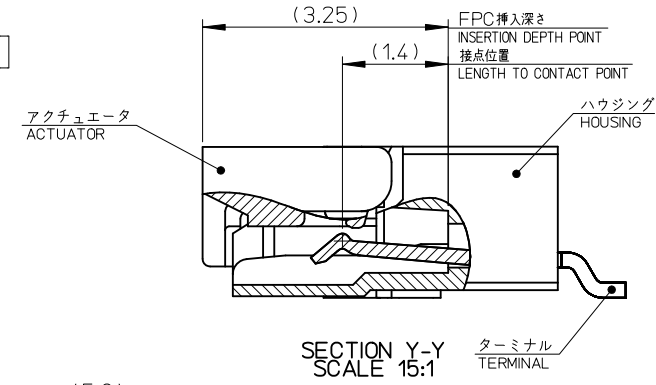
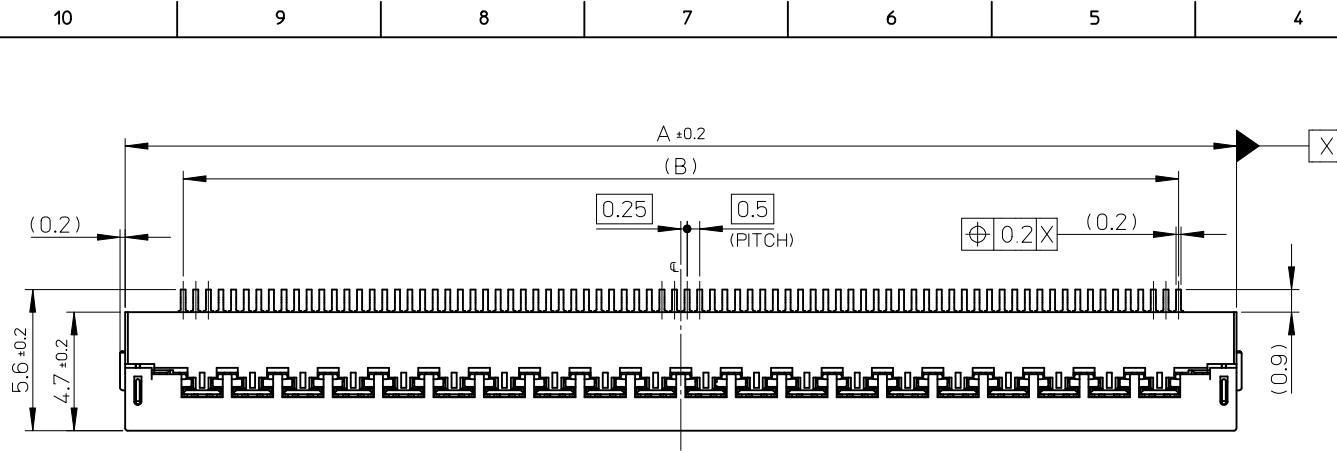
FPC/FFCについて:
打ち抜き方向は導体側から補強板側を推奨します。
導体部については軟銅箔35 μmまたは50 μmを推奨します。

ABOUT FPC/FFC
RECOMMENDED PUNCHER DIRECTION : FROM CONDUCTOR SIDE TO STIFFENER FILM SIDE.
RECOMMENDED CONDUCTOR SPEC :
THICKNESS OF SOFT COPPER FOIL : 35 MICROMETER OR 50 MICROMETER.

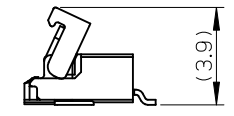
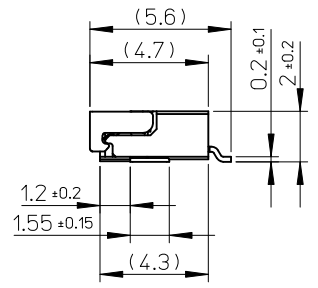
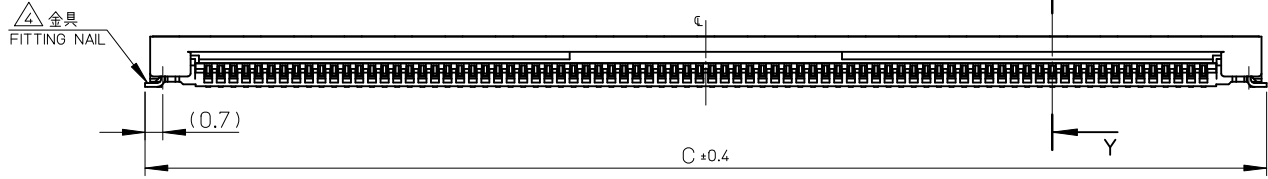
FPCについて:
補強フィルム材質はポリイミドを推奨します。ベースフィルムは25 μmを推奨します。
接着剤は熱硬化接着剤を推奨します。
尚、接着剤の接点部への付着は導通不良の原因になりますので、梁み出しが無い様お願い致します。

ABOUT FPC
RECOMMENDED MATERIAL/THICKNESS.
STIFFENER FILM : POLYIMIDE
BASE FILM THICKNESS : 25 μm
BONDING AGENT : THERMOSETTING BONDING AGENT
PLEASE PUT APPROPRIATE AMOUNT OF ADHESIVE ON ADHEREND BECAUSE THERE IS A POSSIBILITY THAT THE EXTRA ADHESIVE CAUSES THE DEFECT IN ELECTRICAL CONTINUITY.

SEE SHEET 1 OF 2 EC NO: J2010-2127 DRWN: YKOBAYASHI 2010/04/22 CHKD: NMATSUURA 2010/04/23 APPR: KMORIKAWA 2010/04/25	GENERAL TOLERANCES (UNLESS SPECIFIED)		DIMENSION STYLE MM ONLY	SCALE 5:1	DESIGN UNITS METRIC	THIRD ANGLE PROJECTION
	10 UNDER	± ---	DRAWN BY YKOBAYASHI 02	DATE 2010/01/05	TITLE 0.5FPC E/O H=2 GANG ASSY TYPE HOUSING ASSY	
	10 OVER 30 UNDER	± ---	CHECKED BY NMATSUURA	DATE 2010/01/05	MOLEX INCORPORATED	
	30 OVER	± ---	APPROVED BY KMORIKAWA	DATE 2010/01/05		
ANGULAR	±1 °	MATERIAL NO.	SEE SHEET 1	DOCUMENT NO.	SD-503366-001	SHEET NO. 2 OF 2
DRAFT WHERE APPLICABLE MUST REMAIN WITHIN DIMENSIONS		THIS DRAWING CONTAINS INFORMATION THAT IS PROPRIETARY TO MOLEX INCORPORATED AND SHOULD NOT BE USED WITHOUT WRITTEN PERMISSION				



SECTION Y-Y
SCALE 15:1



アクチュエータ開口した状態
(WHEN ACTUATOR IS OPENED)

注記 NOTES

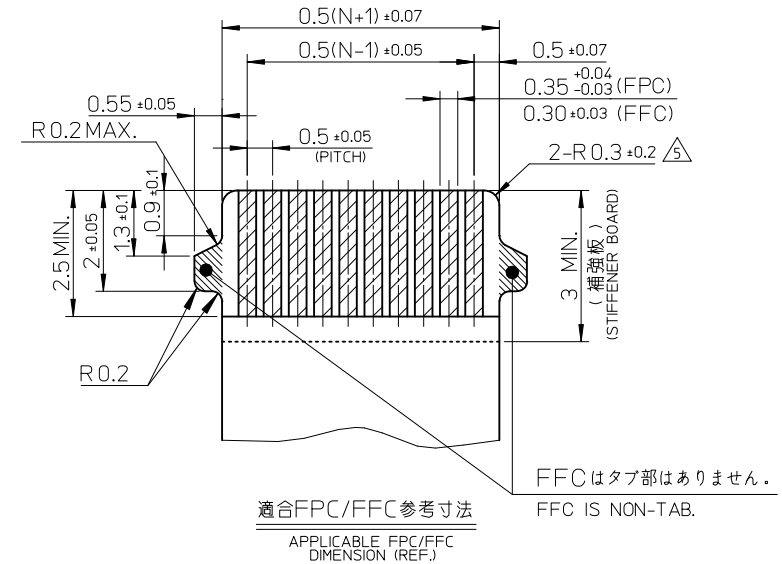
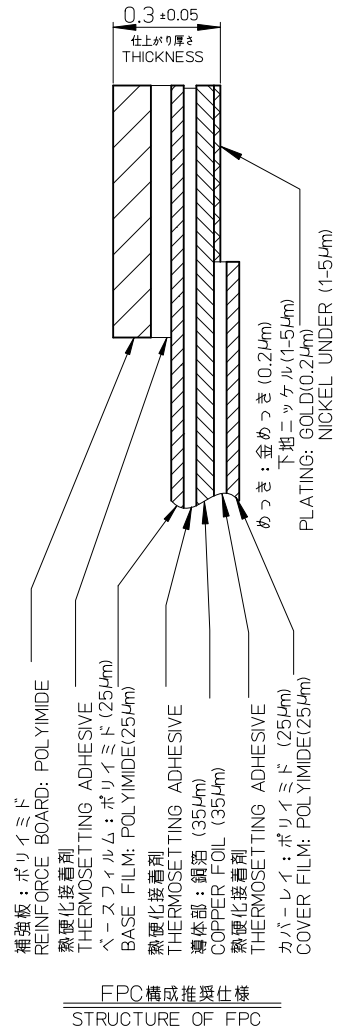
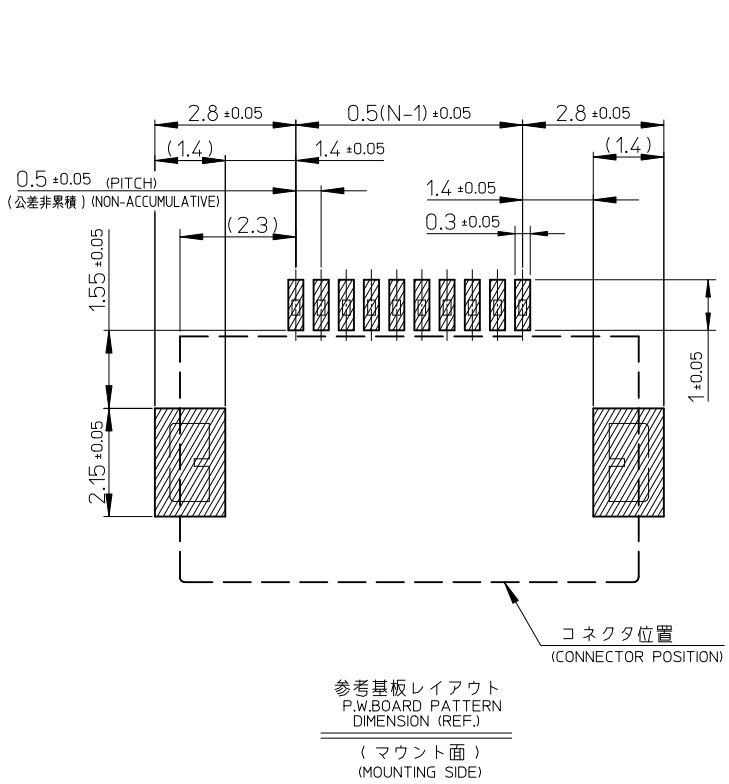
- 使用材料 MATERIAL
 - ハウジング HOUSING : 液晶ポリマー ガラス充填, UL94-V0(黒) LIQUID CRYSTAL POLYMER GLASS FILLED, UL94V-0(BLACK)
 - アクチュエータ ACTUATOR : PPS ガラス充填, UL94-V0(黒) PPS GLASS FILLED, UL94V-0(BLACK)
 - ターミナル TERMINAL : リン青銅(t=0.203) PHOSPHOR BRONZE
 - 金具 FITTING NAIL : リン青銅(t=0.152) PHOSPHOR BRONZE
- めっき仕様 PLATING
 - ターミナル TERMINAL : ニッケル下地金めっき GOLD(Au) OVER NICKEL(Ni) PLATING.
 - 金具 FITTING NAIL : 錫めっき TIN(Sn) PLATING.
- エンボステープ梱包時は、アクチュエータが閉じた状態とする。 IN THE PACKAGE, ACTUATOR OF PART 503366-**11 SHOULD BE CLOSED.

- R0.3は、FPC導体部にかからないこと。 R0.3 MUST NOT BE OVERLAPPED TO PATTERN OF FPC.
- N: 極数 N: CIRCUIT.
- ELV及びRoHS適合品 ELV AND RoHS COMPLIANT

△ パターン剥離止め用金具 FITTING NAIL FOR PREVENTION OF PEELING OF P.C.B. PATTERN.

44.5	39.5	44.1	503366-8011	80
34.5	29.5	34.1	503366-6011	60
C	B	A	EMBOSSED TAPE	CIRCUIT
ORDER No. オーダー番号				
CONNECTOR SERIES No. : 503366-**19				

REVISED EC NO: J2010-2127 DRWN: YKOBAYASHI 02 2010/04/22 CHKD: NMATSUURA 2010/04/23 APPR: KMORIKAWA 2010/04/25	GENERAL TOLERANCES (UNLESS SPECIFIED)		DIMENSION STYLE MM ONLY		SCALE 5:1	DESIGN UNITS METRIC	THIRD ANGLE PROJECTION	
	10 UNDER	± ---	DRAWN BY YKOBAYASHI 02	DATE 2010/01/05	TITLE 0.5FPC E/O H=2 GANG ASSY TYPE HOUSING ASSY			
	10 OVER 30 UNDER	± ---	CHECKED BY NMATSUURA	DATE 2010/01/05	APPROVED BY KMORIKAWA 2010/01/05			
	30 OVER	± ---	MATERIAL NO.		MOLEX INCORPORATED		DOCUMENT NO. SD-503366-001	SHEET NO. 1 OF 2
A	ANGULAR ±1 °		SEE CHART		THIS DRAWING CONTAINS INFORMATION THAT IS PROPRIETARY TO MOLEX INCORPORATED AND SHOULD NOT BE USED WITHOUT WRITTEN PERMISSION			
	DRAFT WHERE APPLICABLE MUST REMAIN WITHIN DIMENSIONS							



FPC/FFCについて:
打ち抜き方向は導体側から補強板側を推奨します。
導体部については軟銅箔35 μmまたは50 μmを推奨します。

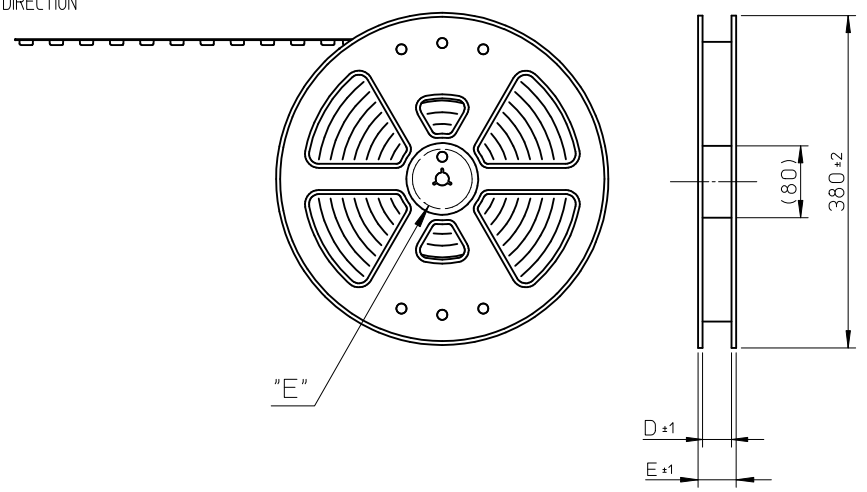
ABOUT FPC/FFC
RECOMMENDED PUNCHER DIRECTION : FROM CONDUCTOR SIDE TO STIFFENER FILM SIDE.
RECOMMENDED CONDUCTOR SPEC :
THICKNESS OF SOFT COPPER FOIL : 35 MICROMETER OR 50 MICROMETER.

FPCについて:
補強フィルム材質はポリイミドを推奨します。ベースフィルムは25 μmを推奨します。
接着剤は熱硬化接着剤を推奨します。
尚、接着剤の接点部への付着は導通不良の原因になりますので、梁み出しが無い様お願い致します。

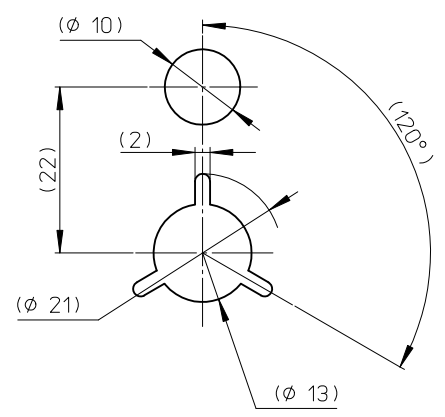
ABOUT FPC
RECOMMENDED MATERIAL/THICKNESS.
STIFFENER FILM : POLYIMIDE
BASE FILM THICKNESS : 25 μm
BONDING AGENT : THERMOSETTING BONDING AGENT
PLEASE PUT APPROPRIATE AMOUNT OF ADHESIVE ON ADHEREND BECAUSE THERE IS A POSSIBILITY THAT THE EXTRA ADHESIVE CAUSES THE DEFECT IN ELECTRICAL CONTINUITY.

SEE SHEET 1 OF 2 EC NO: J2010-2127 DRWN: YKOBAYASHI 02 2010/04/22 CHKD: NMATSUURA 2010/04/23 APPR: KMORIKAWA 2010/04/25	GENERAL TOLERANCES (UNLESS SPECIFIED)		DIMENSION STYLE MM ONLY	SCALE 5:1	DESIGN UNITS METRIC	THIRD ANGLE PROJECTION
	10 UNDER	± ---	DRAWN BY YKOBAYASHI 02	DATE 2010/01/05	TITLE 0.5FPC E/O H=2 GANG ASSY TYPE HOUSING ASSY	
	10 OVER 30 UNDER	± ---	CHECKED BY NMATSUURA	DATE 2010/01/05	MOLEX INCORPORATED	
	30 OVER	± ---	APPROVED BY KMORIKAWA	DATE 2010/01/05		
ANGULAR	±1 °	MATERIAL NO.	SEE SHEET 1	DOCUMENT NO.	SD-503366-001	SHEET NO. 2 OF 2
DRAFT WHERE APPLICABLE MUST REMAIN WITHIN DIMENSIONS		THIS DRAWING CONTAINS INFORMATION THAT IS PROPRIETARY TO MOLEX INCORPORATED AND SHOULD NOT BE USED WITHOUT WRITTEN PERMISSION				

引き出し方向
PULL OUT DIRECTION



"E"



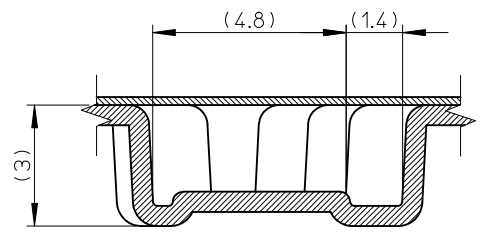
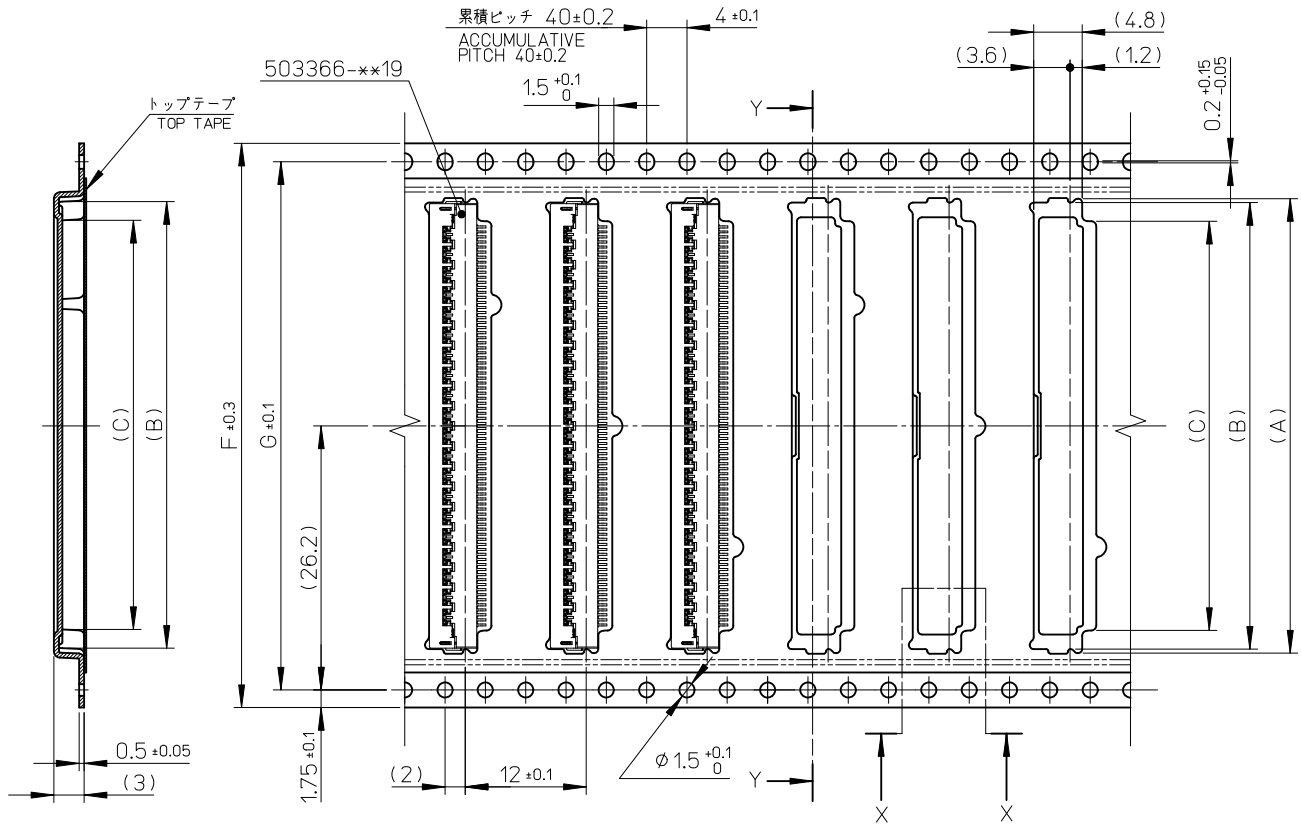
DETAIL "E"

NOTES

- 梱包数量 : 2000個/リール
NUMBER OF CONNECTORS : 2000PIECES/REEL
- リードテープ長さ
LEAD TAPE LENGTH
- 製品詳細寸法については図面 SD-503366-001を参照下さい。
FOR DIMENSIONS OF PRODUCT, REFER TO SD-503366-001.
- 材料 MATERIAL
 キャリアテープ : ポリスチレン
 CARRIER TAPE : POLYSTYRENE
 トップテープ : ポリエチレンテレフタレート, ポリエチレン
 TOP TAPE : POLYETHYLENE TEREPHTHALATE , POLYETHYLENE
 リール : ポリスチレン<リサイクル材を含む>
 REEL : POLYSTYRENE<RECYCLE MATERIAL CONTAINED>
- ELV及びRoHS適合品 ELV AND RoHS COMPLIANT

REVISED EC NO: J2010-2127 DRWN: YKOBAYASHI 2010/04/22 CHKD: NMATSUURA 2010/04/23 APPR: KMORIKAWA 2010/04/25	GENERAL TOLERANCES (UNLESS SPECIFIED)		DIMENSION STYLE MM ONLY	SCALE 5:1	DESIGN UNITS METRIC	THIRD ANGLE PROJECTION
	10 UNDER	± ---	DRAWN BY YKOBAYASHI 02	DATE 2010/01/05	TITLE 0.5FPC E/O H=2 GANG ASSY TYPE EMBSTP PACKAGE	
	10 OVER 30 UNDER	± ---	CHECKED BY NMATSUURA	DATE 2010/01/05	MOLEX INCORPORATED	
	30 OVER	± ---	APPROVED BY KMORIKAWA	DATE 2010/01/05	DOCUMENT NO. SD-503366-002	SHEET NO. 1 OF 2
A	ANGULAR ±1 °	DRAFT WHERE APPLICABLE MUST REMAIN WITHIN DIMENSIONS	MATERIAL NO. SEE SHEET 2	THIS DRAWING CONTAINS INFORMATION THAT IS PROPRIETARY TO MOLEX INCORPORATED AND SHOULD NOT BE USED WITHOUT WRITTEN PERMISSION		

引き出し方向
PULL OUT DIRECTION



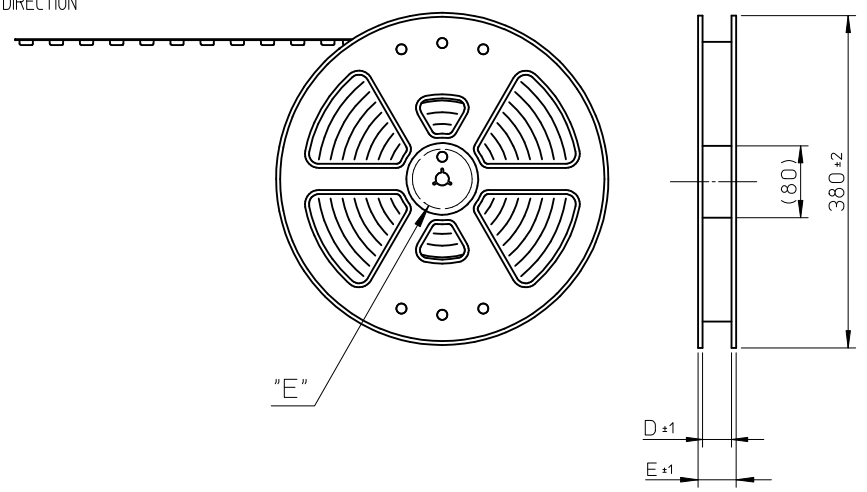
SECTION X-X
SCALE 8:1

SECTION Y-Y

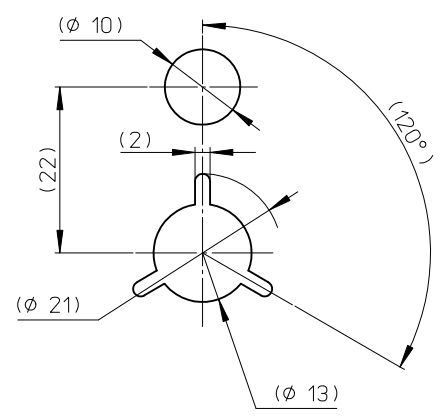
56	52.4	56	61.4	57.4	40.6	44.3	45.1	503366-8011	80
	52.4	56	61.4	57.4	30.6	34.3	35.1	503366-6011	60
キャリアテープ幅 CARRIER TAPE WIDTH	G	F	E	D	C	B	A	製品番号 MATERIAL NO.	極数 CIRCUIT

SEE SHEET 1 OF 2 EC NO: J2010-2127 DRWN: YKOBAYASHI 02 2010/04/22 CHKD: NMATSUURA 2010/04/23 APPR: KMORIKAWA 2010/04/25	GENERAL TOLERANCES (UNLESS SPECIFIED)		DIMENSION STYLE MM ONLY		SCALE 2:1	DESIGN UNITS METRIC	THIRD ANGLE PROJECTION	
	10 UNDER	± ---	DRAWN BY	DATE	TITLE			
	10 OVER 30 UNDER	± ---	YKOBAYASHI 02	2010/01/05	0.5FPC E/O H=2 GANG ASSY TYPE EMBSTP PACKAGE			
	30 OVER	± ---	NMATSUURA	2010/01/05				
ANGULAR	±1 °	APPROVED BY	DATE	MOLEX INCORPORATED				
DRAFT WHERE APPLICABLE MUST REMAIN WITHIN DIMENSIONS		KMORIKAWA	2010/01/05					
		MATERIAL NO.	503366-**-**11		DOCUMENT NO.	SD-503366-002		SHEET NO. 2 OF 2
A	REV	THIS DRAWING CONTAINS INFORMATION THAT IS PROPRIETARY TO MOLEX INCORPORATED AND SHOULD NOT BE USED WITHOUT WRITTEN PERMISSION						

引き出し方向
PULL OUT DIRECTION



"E"



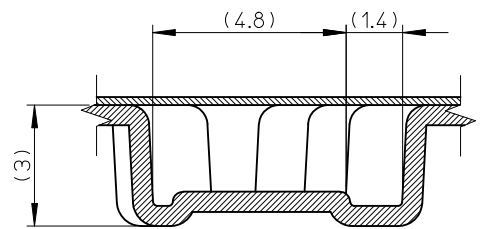
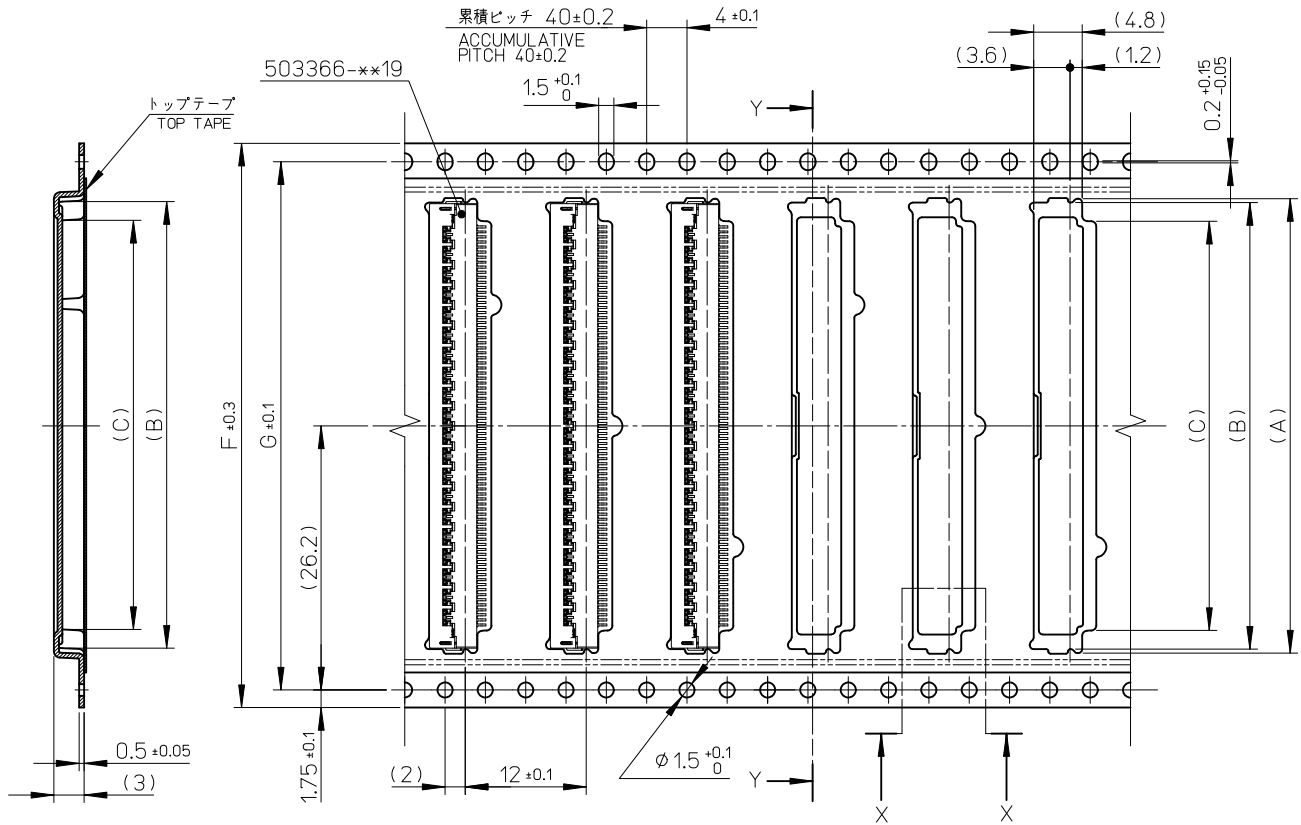
DETAIL "E"

NOTES

- 梱包数量 : 2000個/リール
NUMBER OF CONNECTORS : 2000PIECES/REEL
- リードテープ長さ
LEAD TAPE LENGTH
- 製品詳細寸法については図面 SD-503366-001を参照下さい。
FOR DIMENSIONS OF PRODUCT, REFER TO SD-503366-001.
- 材料 MATERIAL
 キャリアテープ : ポリスチレン
 CARRIER TAPE : POLYSTYRENE
 トップテープ : ポリエチレンテレフタレート, ポリエチレン
 TOP TAPE : POLYETHYLENE TEREPHTHALATE , POLYETHYLENE
 リール : ポリスチレン<リサイクル材を含む>
 REEL : POLYSTYRENE<RECYCLE MATERIAL CONTAINED>
- ELV及びRoHS適合品 ELV AND RoHS COMPLIANT

REVISED EC NO: J2010-2127 DRWN: YKOBAYASHI 2010/04/22 CHKD: NMATSUURA 2010/04/23 APPR: KMORIKAWA 2010/04/25	GENERAL TOLERANCES (UNLESS SPECIFIED)		DIMENSION STYLE MM ONLY		SCALE 5:1	DESIGN UNITS METRIC	THIRD ANGLE PROJECTION
	10 UNDER	± ---	DRAWN BY YKOBAYASHI 02	DATE 2010/01/05	TITLE 0.5FPC E/O H=2 GANG ASSY TYPE EMBSTP PACKAGE		
	10 OVER 30 UNDER	± ---	CHECKED BY NMATSUURA	DATE 2010/01/05	MOLEX MOLEX INCORPORATED		
	30 OVER	± ---	APPROVED BY KMORIKAWA	DATE 2010/01/05	DOCUMENT NO. SD-503366-002	SHEET NO. 1 OF 2	
A	ANGULAR ±1 °	DRAFT WHERE APPLICABLE MUST REMAIN WITHIN DIMENSIONS		SEE SHEET 2	THIS DRAWING CONTAINS INFORMATION THAT IS PROPRIETARY TO MOLEX INCORPORATED AND SHOULD NOT BE USED WITHOUT WRITTEN PERMISSION		

引き出し方向
PULL OUT DIRECTION



SECTION X-X
SCALE 8:1

SECTION Y-Y

56	52.4	56	61.4	57.4	40.6	44.3	45.1	503366-8011	80
	52.4	56	61.4	57.4	30.6	34.3	35.1	503366-6011	60
キャリアテープ幅 CARRIER TAPE WIDTH	G	F	E	D	C	B	A	製品番号 MATERIAL NO.	極数 CIRCUIT

SEE SHEET 1 OF 2 EC NO: J2010-2127 DRWN: YKOBAYASHI 02 2010/04/22 CHKD: NMATSUURA 2010/04/23 APPR: KMORIKAWA 2010/04/25	GENERAL TOLERANCES (UNLESS SPECIFIED)		DIMENSION STYLE MM ONLY	SCALE 2:1	DESIGN UNITS METRIC	THIRD ANGLE PROJECTION
	10 UNDER	± ---	DRAWN BY YKOBAYASHI 02	DATE 2010/01/05	TITLE 0.5FPC E/O H=2 GANG ASSY TYPE EMBSTP PACKAGE	
	10 OVER 30 UNDER	± ---	CHECKED BY NMATSUURA	DATE 2010/01/05	MOLEX INCORPORATED	
	30 OVER	± ---	APPROVED BY KMORIKAWA	DATE 2010/01/05	DOCUMENT NO. 503366-**11	SHEET NO. 2 OF 2
ANGULAR	±1 °	THIS DRAWING CONTAINS INFORMATION THAT IS PROPRIETARY TO MOLEX INCORPORATED AND SHOULD NOT BE USED WITHOUT WRITTEN PERMISSION				
DRAFT WHERE APPLICABLE MUST REMAIN WITHIN DIMENSIONS						