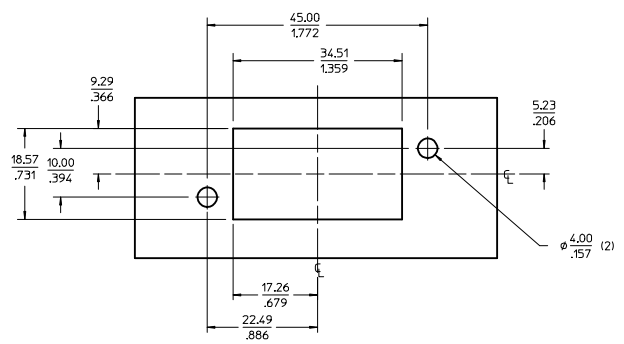
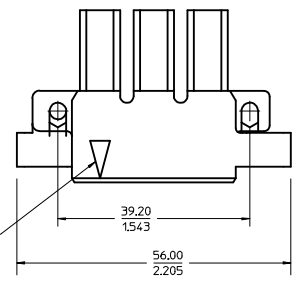


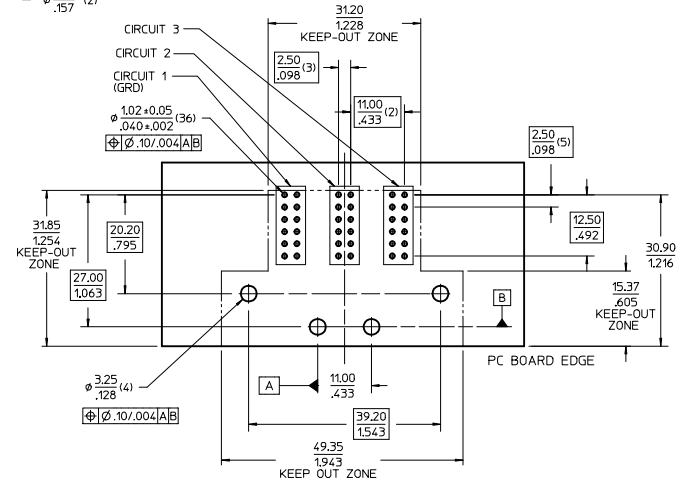
PART NUMBER	DIM "A" PC TAIL	PC BOARD THICKNESS	DESCRIPTION
46817-1000	3.86+0.30 .152+.012	2.36/0.093	SHORT TAILS
46817-1001	4.69+0.30 .185+.012	3.18/0.125 3.60/0.142	LONG TAILS



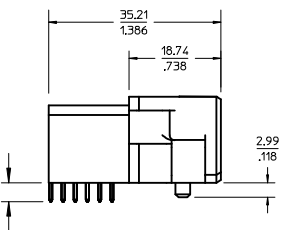
- NOTES:
- MATERIAL: HOUSING: 30% GF POLYESTER - 94V-0 89992-0030
TERMINALS: COPPER ALLOY
 - PLATING: TERMINALS: 30 μ IN GOLD IN THE CONTACT AREA,
100 μ IN TIN IN THE PC TAIL AREA OVER
50 μ IN NICKEL OVERALL
 - PRODUCT SPECIFICATION: PS-46819-001
 - PARTS ARE TRAY PACKED PER PACKAGING SPECIFICATION: PK-46817-001
 - MATING HARNESS SERIES 111119
 - PC BOARD HOLES ARE FOR SOLDER TAIL TYPE TERMINALS
 - PC BOARD HOLES TO BE PLATED THRU HOLES



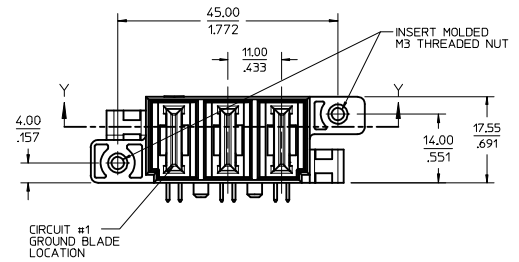
PANEL LAYOUT



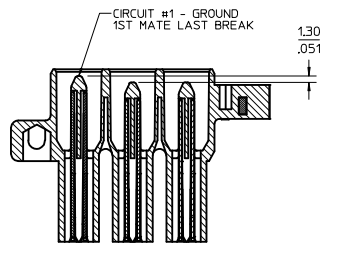
RECOMMENDED PCB LAYOUT
(CONNECTOR SIDE)



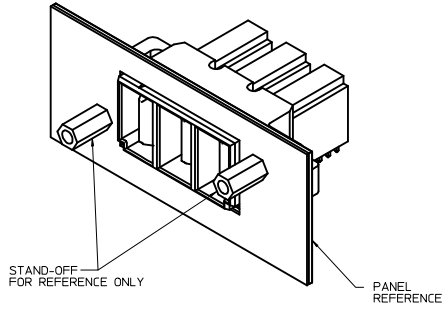
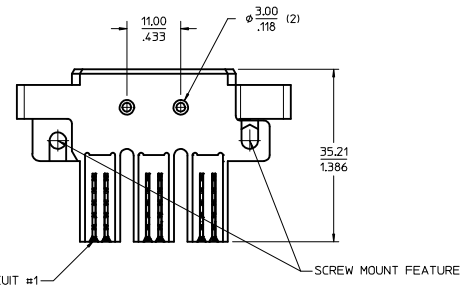
DIM "A"



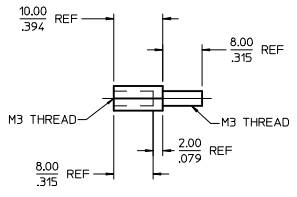
PART SUPPLIED AS SHOWN



SECTION Y-Y

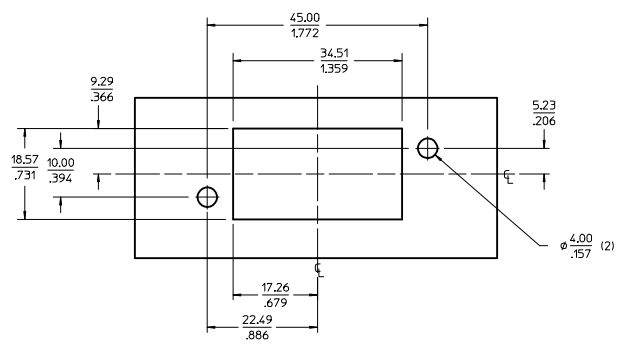


RECOMMENDED M3 STAND-OFF
FOR REFERENCE ONLY
MAY BE PURCHASED FROM HARDWARE VENDOR

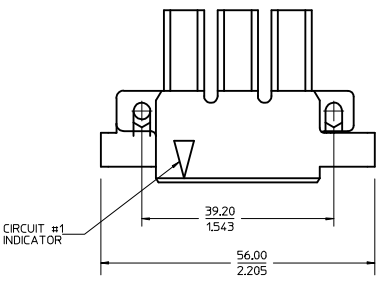


DWG ERROR/CORR DIM *A* E.C. NO.: UCP/2013-5090 DRAWN: OUILLES 2013/06/11 CHKD: APATEL 2013/06/11 APPR: APATEL 2013/06/11 REVISIONS DESCRIPTION	QUALITY SYMBOLS	GENERAL TOLERANCES (UNLESS SPECIFIED)	DIMENSION STYLE	SCALE	DESIGN UNITS	THIRD ANGLE PROJECTION	
	$\nabla=0$ $\nabla=0$ $\nabla=0$	4 PLACES ± .010 3 PLACES ± .020 2 PLACES ± 0.25 1 PLACE ± 0.51 ANGULAR ± 1/2°	MM/IN 2:1 METRIC	DRAWN BY: MDATA CHECKED BY: APATEL APPROVED BY: APATEL	DATE: 2009/01/22 DATE: 2009/01/23 DATE: 2011/12/20	TITLE: GUARDIAN PLUG ASSEMBLY 3 CKT	
	DRAFT WHERE APPLICABLE MUST REMAIN WITHIN DIMENSIONS	MATERIAL NO. SEE CHART	DOCUMENT NO. SD-46817-100	MOLEX INCORPORATED			
	SIZE D	THIS DRAWING CONTAINS INFORMATION THAT IS PROPRIETARY TO MOLEX INCORPORATED AND SHOULD NOT BE USED WITHOUT WRITTEN PERMISSION		SHEET NO. 1 OF 1			

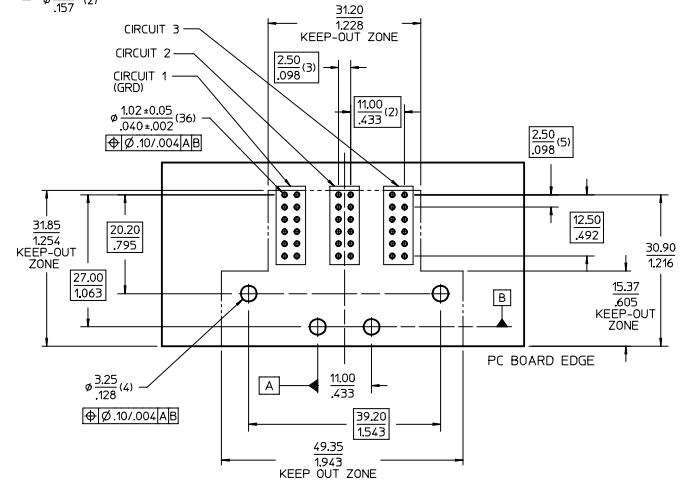
PART NUMBER	DIM "A" PC TAIL	PC BOARD THICKNESS	DESCRIPTION
46817-1000	3.86+0.30 .152+.012	2.36/0.093	SHORT TAILS
46817-1001	4.69+0.30 .185+.012	3.18/0.125 3.60/0.142	LONG TAILS



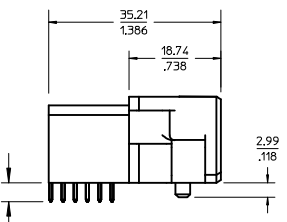
- NOTES:
1. MATERIAL: HOUSING: 30% GF POLYESTER - 94V-0 89992-0030
TERMINALS: COPPER ALLOY
 2. PLATING: TERMINALS: 30 μ IN GOLD IN THE CONTACT AREA,
100 μ IN TIN IN THE PC TAIL AREA OVER
50 μ IN NICKEL OVERALL
 3. PRODUCT SPECIFICATION: PS-46819-001
 4. PARTS ARE TRAY PACKED PER PACKAGING SPECIFICATION: PK-46817-001
 5. MATING HARNESS SERIES 111119
 6. PC BOARD HOLES ARE FOR SOLDER TAIL TYPE TERMINALS
 7. PC BOARD HOLES TO BE PLATED THRU HOLES



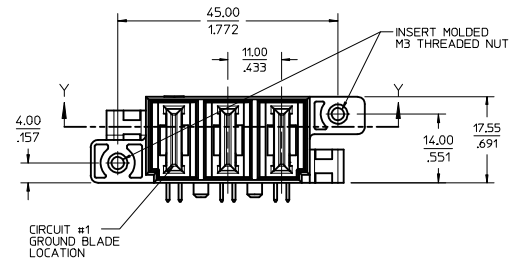
PANEL LAYOUT



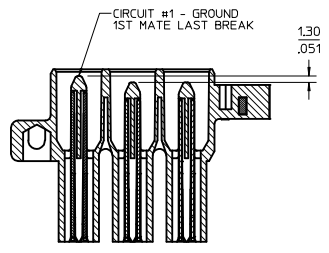
RECOMMENDED PCB LAYOUT
(CONNECTOR SIDE)



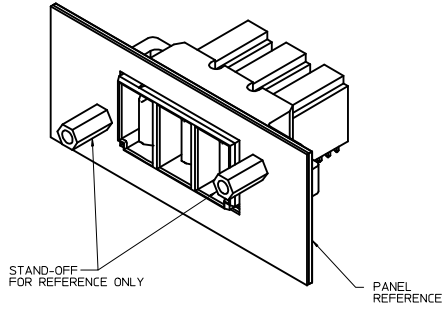
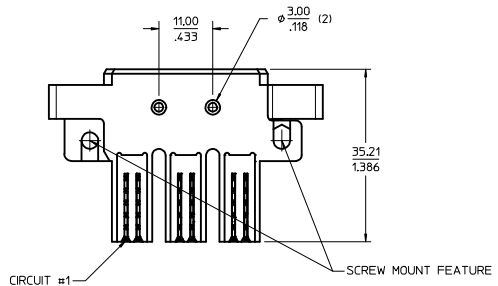
DIM "A"



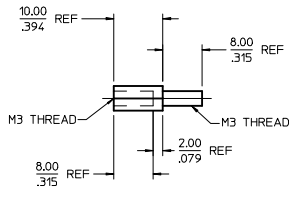
PART SUPPLIED AS SHOWN



SECTION Y-Y



RECOMMENDED M3 STAND-OFF
FOR REFERENCE ONLY
MAY BE PURCHASED FROM HARDWARE VENDOR



DWG ERROR/CORR DIM "A" EC NO: UCP2013-5090 DRAWN: OUILLES 2013/06/11 CHECKED: APATEL 2013/06/11 APPROVED: APPR: APATEL 2013/06/11	QUALITY SYMBOLS	GENERAL TOLERANCES (UNLESS SPECIFIED)	DIMENSION STYLE	SCALE	DESIGN UNITS	THIRD ANGLE PROJECTION															
	$\nabla=0$ $\nabla=0$ $\nabla=0$	<table border="1"> <tr> <th></th> <th>mm</th> <th>INCH</th> </tr> <tr> <td>4 PLACES</td> <td>±.01</td> <td>±.0005</td> </tr> <tr> <td>3 PLACES</td> <td>±.02</td> <td>±.0010</td> </tr> <tr> <td>2 PLACES</td> <td>±0.25</td> <td>±.02</td> </tr> <tr> <td>1 PLACE</td> <td>±0.51</td> <td>±.05</td> </tr> </table>		mm	INCH	4 PLACES	±.01	±.0005	3 PLACES	±.02	±.0010	2 PLACES	±0.25	±.02	1 PLACE	±0.51	±.05	MM/IN	2:1	METRIC	
		mm	INCH																		
	4 PLACES	±.01	±.0005																		
3 PLACES	±.02	±.0010																			
2 PLACES	±0.25	±.02																			
1 PLACE	±0.51	±.05																			
DRAFT WHERE APPLICABLE MUST REMAIN WITHIN DIMENSIONS	DRAWN BY: MDATA 2009/01/22 CHECKED BY: APATEL 2009/01/23 APPROVED BY: APATEL 2011/12/20	MATERIAL NO: SEE CHART	TITLE: GUARDIAN PLUG ASSEMBLY 3 CKT	DOCUMENT NO: SD-46817-100	SHEET NO: 1 OF 1																
THIS DRAWING CONTAINS INFORMATION THAT IS PROPRIETARY TO MOLEX INCORPORATED AND SHOULD NOT BE USED WITHOUT WRITTEN PERMISSION																					