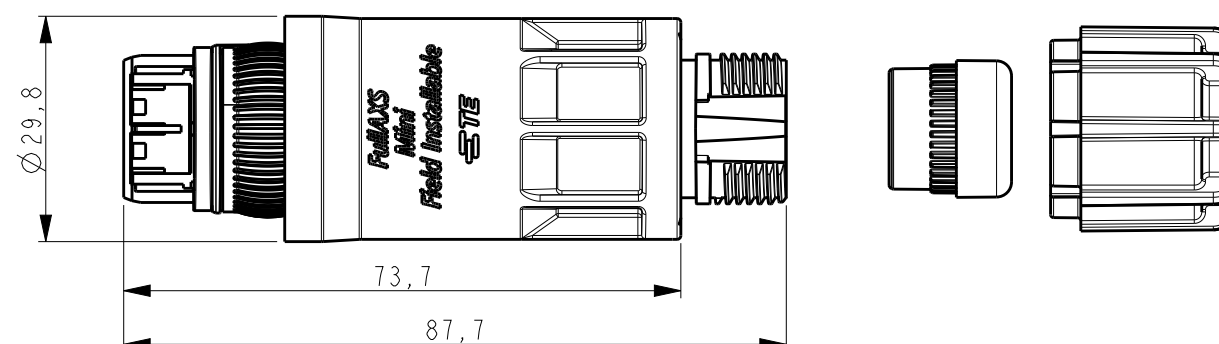
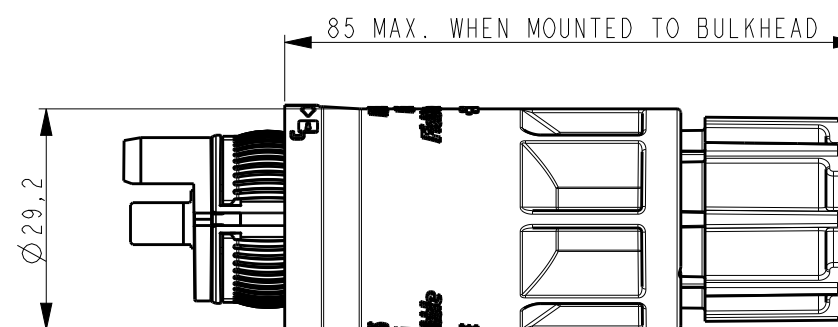
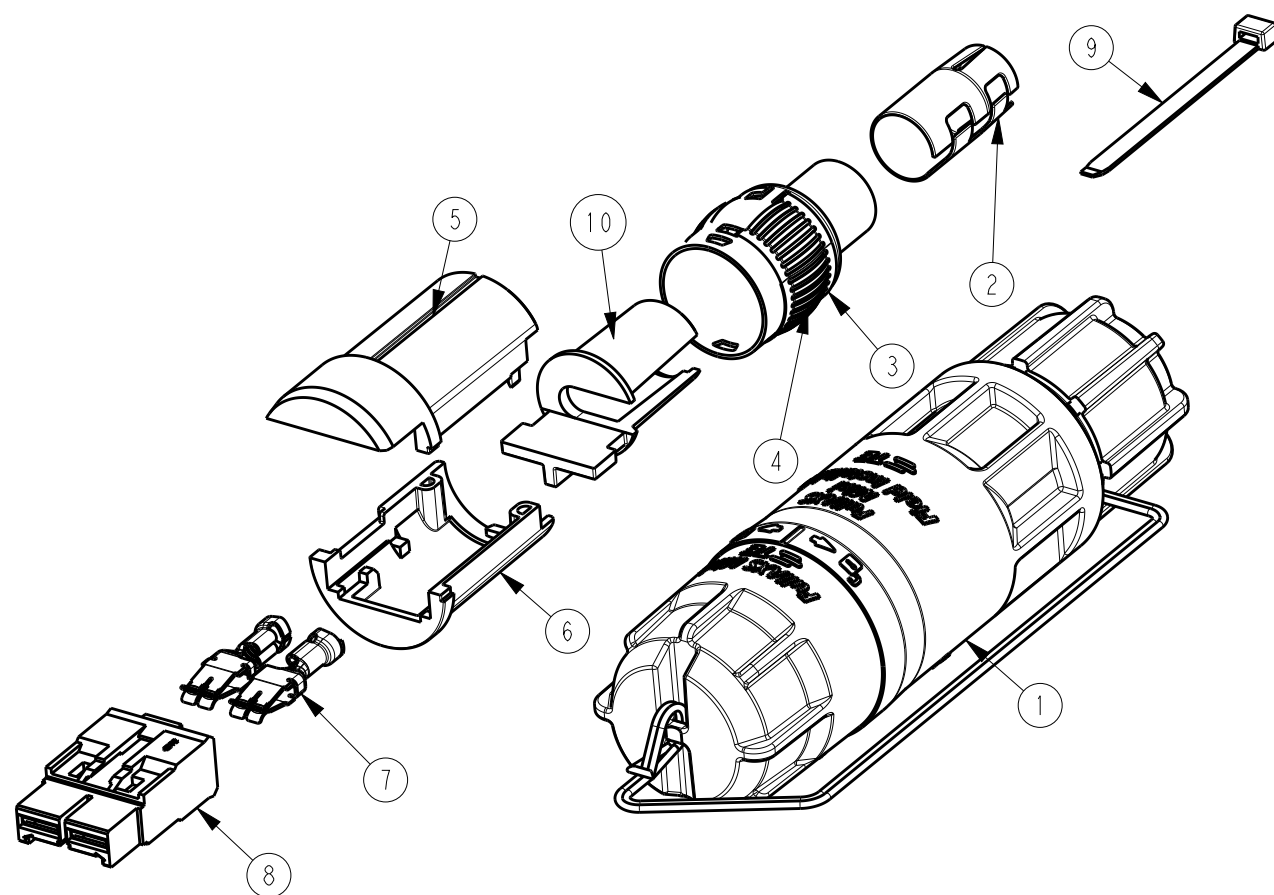


REVISIONS

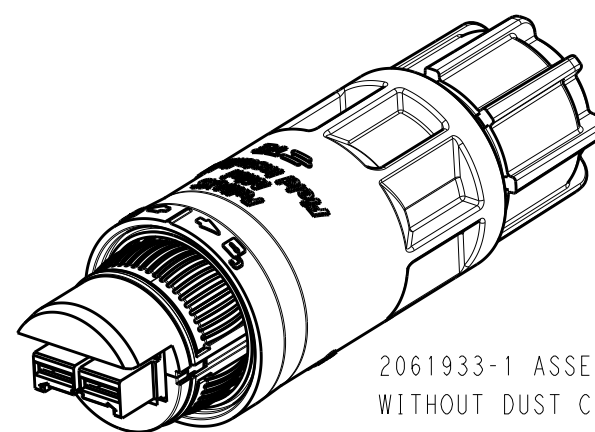
P	LTR	DESCRIPTION	DATE	DWN	APVD
A		NEW RELEASE	02NOV2016	KZ	RS
B		PER ECR-17-011351	05JUN2018	BW	RS



TE Part Number	Cable Diameter
2061933-1	7.3 - 9.0 mm

NOTES:

1. THIS FullPOWER FIELD INSTALL ASSEMBLY KIT SHOULD BE USED WITH RUGGEDIZED CABLE AND RUGGED FAN-OUT CONSTRUCTION. NO 900 MICRON TERMINATIONS TO BE USED.
2. CABLE DIAMETER RANGE: SEE TABLE
3. THE FLAMMABILITY RATING OF THE MATERIAL IS UL94-V0
4. THE MATERIAL IS HALOGEN FREE ACCORDING IEC 60754-2
5. AN INSTRUCTION SHEET IS PACKED WITH EACH FIELD INSTALL KIT



2061933-1 ASSEMBLED WITHOUT DUST CAP

10	Spacer	1
9	Cable Tie	1
8	FullPOWER ET Power Housing	1
7	FullPOWER ET Power Timer Contact	3
6	FullPOWER Alignment Adapter Bottom	1
5	FullPOWER Alignment Adapter Top	1
4	FullPOWER Outer Ferrule	1
3	FullPOWER Ferrule spring	1
2	FullPOWER Inner Ferrule	1
1	FullPOWER MINI Field Install Sub-Assembly	1
Item	Description	Qty

THIS DRAWING IS A CONTROLLED DOCUMENT.

DIMENSIONS:		TOLERANCES UNLESS OTHERWISE SPECIFIED:	
mm			
0 PLC	±0,2	1 PLC	±0,1
1 PLC	±0,1	2 PLC	±0,05
2 PLC	±0,05	3 PLC	±0,025
3 PLC	±0,025	4 PLC	±0,005
4 PLC	±0,005	ANGLES	±2°
MATERIAL	FINISH		
-	-		

DWN	R. COOLEN	09FEB2015
CHK	-	-
APVD	S. BORGAS	-
PRODUCT SPEC	-	-
APPLICATION SPEC	-	-
WEIGHT	-	-
CUSTOMER DRAWING		

		NAME	
		FullPOWER MINI FIELD INSTALL ASSEMBLY KIT	
SIZE	CAGE CODE	DRAWING NO	RESTRICTED TO
A3	-	C-2061933	-
SCALE		SHEET	REV
1:1		1 OF 1	B