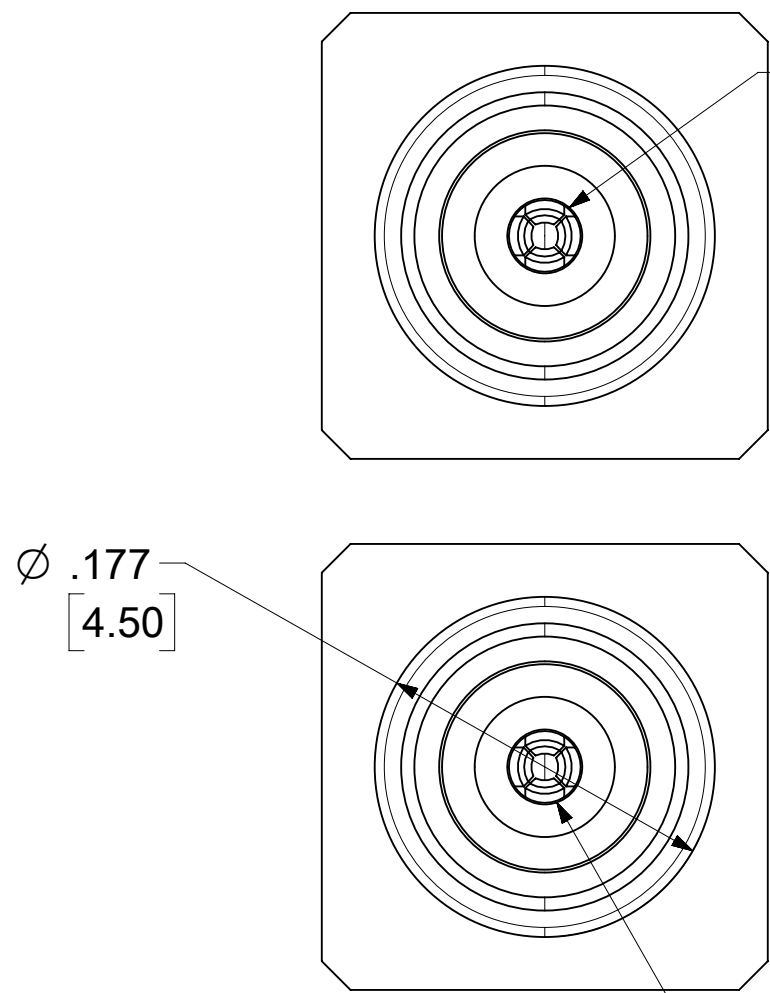


**MATERIALS & FINISHES:**

BODY: BRASS  
PLATING: SEE TABLE

CONTACT: BERYLLIUM COPPER  
PLATING: GOLD 30u"

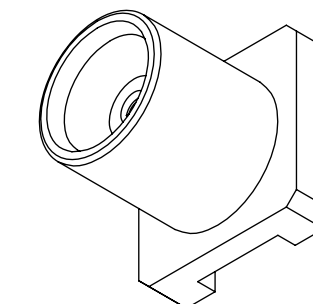
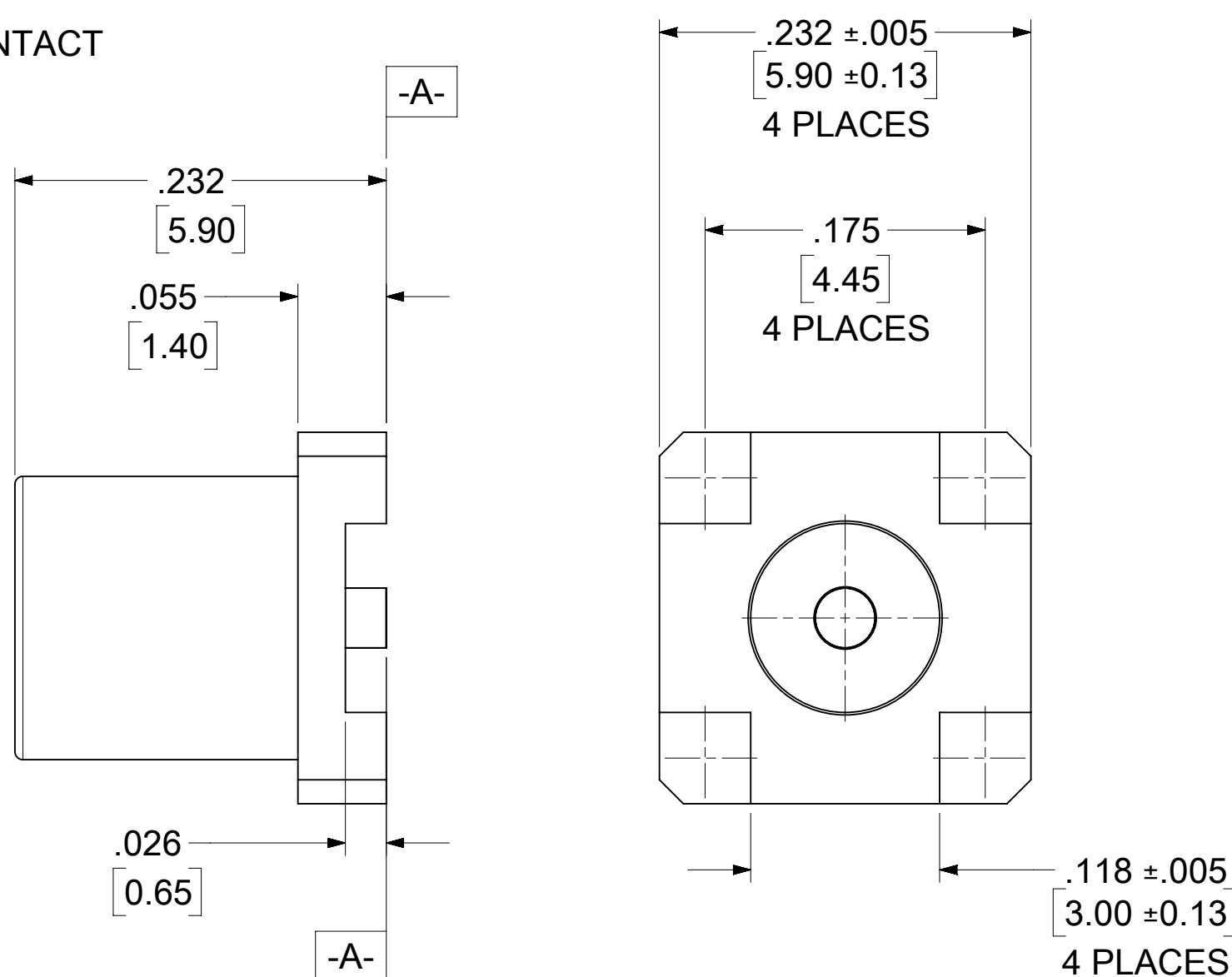
INSULATOR: TEFLON



73415-1696  
4 SLOT CONTACT

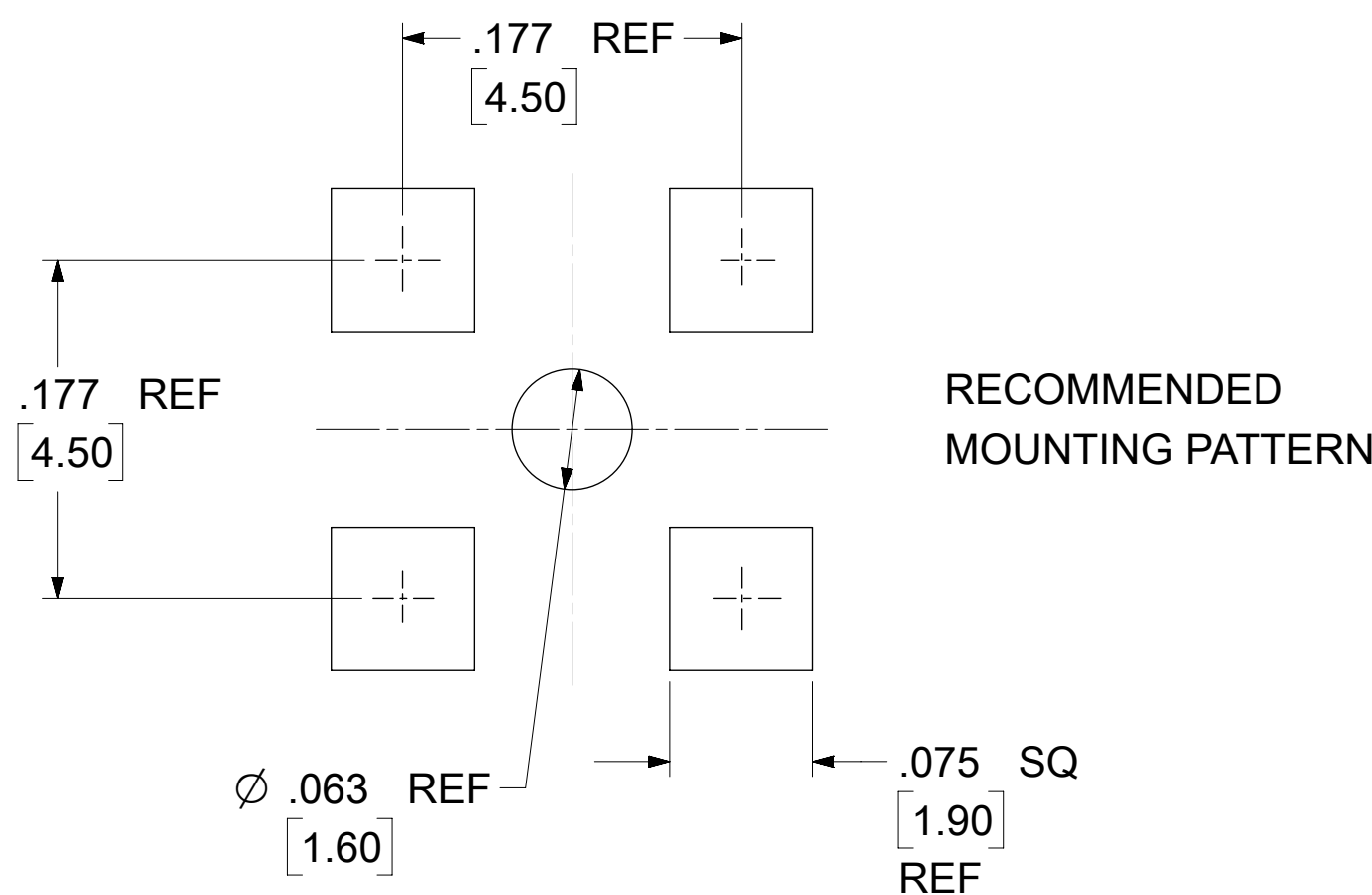
Ø .177  
4.50

NOTE:  
73415-1696 AND 73415-1697 WITH 4 SLOTS.  
ALL OTHERS WITH 2 SLOT CONTACT.



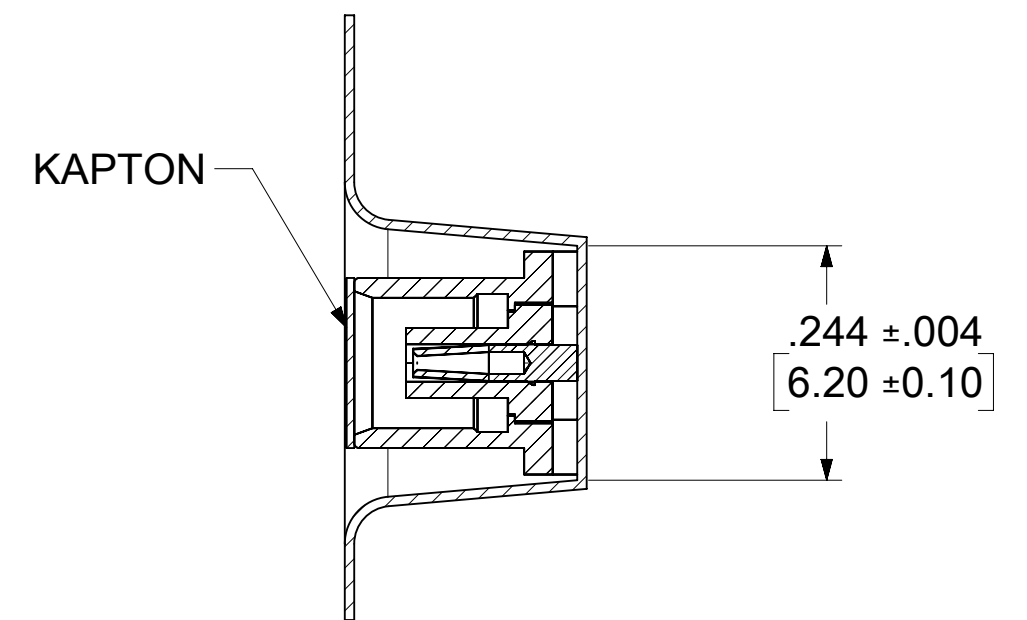
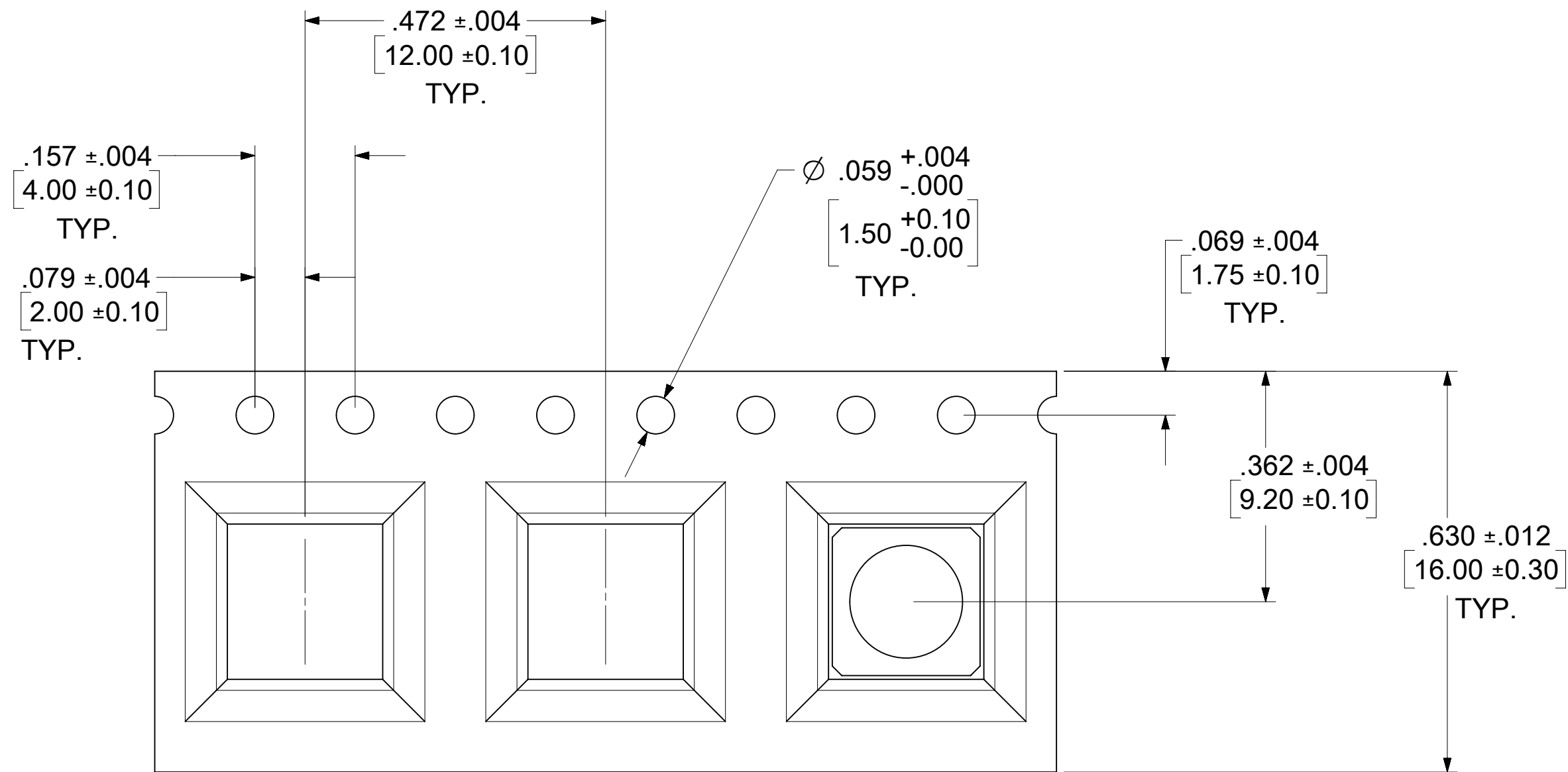
CONTACT TO BE FLUSH  
-TO .004(0.10) BELOW  
SURFACE

73366-6510	73415-1691 WITH T&R SEE SHEET2 NOTE	GOLD (1 u")
73415-1699	ONE PIECE PER BAG	GOLD (1 u")
73415-1698	T&R SEE SHEET2 NOTE	GOLD (30 u")
73415-1697	73415-1696 WITH T&R SEE SHEET2 NOTE	GOLD (1 u")
73415-1696	GENERAL	GOLD (1 u")
73415-1695	73415-1690 WITH T&R SEE SHEET2 NOTE	NICKEL
73415-1694	73415-1691 PACKAGING SMALL TRAY	GOLD (1 u")
73415-1693	73415-1690 PACKAGING SMALL TRAY	NICKEL
73415-1692	73415-1691 WITH T&R SEE SHEET2 NOTE	GOLD (1 u")
73415-1691	BAG (500 PCS PER BAG)	GOLD (1 u")
73415-1690	BAG (500 PCS PER BAG)	NICKEL
PART NO.	PACKAGING	BODY PLATING

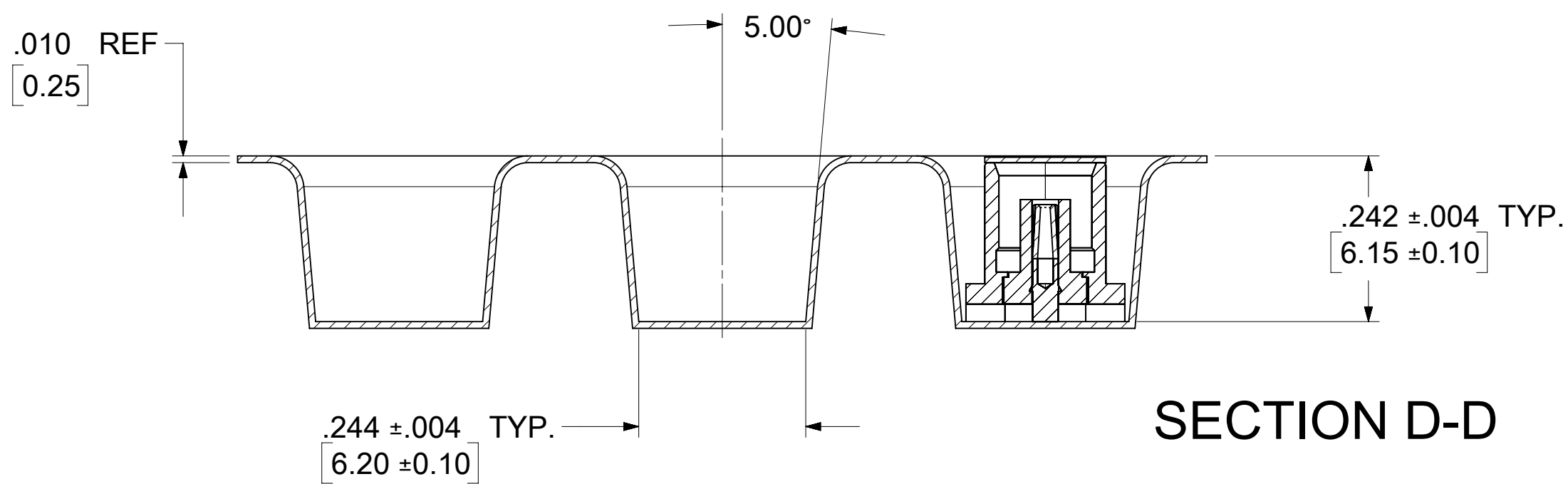


PS-89675-1830	PERFORMANCE
SPECIFICATION	DESCRIPTION

FUNCTIONAL SYMBOLS	THIS DRAWING CONTAINS INFORMATION THAT IS PROPRIETARY TO MOLEX ELECTRONIC TECHNOLOGIES, LLC AND SHOULD NOT BE USED WITHOUT WRITTEN PERMISSION			
	DIMENSION UNITS	SCALE		
$\nabla_A = 0$ $\nabla_C = 0$ $\nabla_P = 0$	IN/MM	NTS	CURRENT REV DESC: UPDATED TOLERANCE PER EWR14541-A	
DIVISIONAL SYMBOLS	GENERAL TOLERANCES (UNLESS SPECIFIED)		EC NO: 672469	
	ANGULAR TOL ± 2.0°		DRWN: CWEI02	2021/06/07
$\nabla_A = 0$ $\nabla_C = 0$ $\nabla_P = 0$	4 PLACES	±	CHK'D: YCHENG	2021/08/06
	3 PLACES	±	APPR: YCHENG	2021/08/06
	2 PLACES	±	INITIAL REVISION:	
	1 PLACE	±	DRWN: LMB	2000/11/09
0 PLACES	±	APPR: JWIENER	2010/04/23	
DRAFT WHERE APPLICABLE MUST REMAIN WITHIN DIMENSIONS	THIRD ANGLE PROJECTION	DRAWING	SERIES	DOCUMENT NUMBER
		C-SIZE	73415	SD-73415-169
				DOC TYPE
				DOC PART
				REVISION
				PSD 001 B6
				MATERIAL NUMBER
				SEE TABLE
				CUSTOMER
				GENERAL MARKET
				SHEET NUMBER
				1 OF 2



SECTION B-B



SECTION D-D

NOTE:  
750 CONNECTOR PER REEL ON 13 INCH REEL,  
16mm TAPE, 12mm CAVITY PITCH  
TAPE CAP ON EACH PART

FUNCTIONAL SYMBOLS $\nabla_A = 0$ $\nabla_C = 0$ $\nabla_P = 0$ DIVISIONAL SYMBOLS 4 PLACES ± 3 PLACES ± 2 PLACES ± .01 / 0.25 1 PLACE ± 0 PLACES ±	THIS DRAWING CONTAINS INFORMATION THAT IS PROPRIETARY TO MOLEX ELECTRONIC TECHNOLOGIES, LLC AND SHOULD NOT BE USED WITHOUT WRITTEN PERMISSION		CURRENT REV DESC: UPDATED TOLERANCE PER EWR14541-A					
	DIMENSION UNITS	SCALE	EC NO: 672469					
	IN/MM	NTS	DRWN: CWEI02	2021/06/07				
	GENERAL TOLERANCES (UNLESS SPECIFIED)		CHK'D: YCHENG	2021/08/06				
ANGULAR TOL ± 2.0°		APPR: YCHENG	2021/08/06	PRODUCT CUSTOMER DRAWING				
DRAFT WHERE APPLICABLE MUST REMAIN WITHIN DIMENSIONS		THIRD ANGLE PROJECTION	DRAWING	SERIES	DOCUMENT NUMBER	DOC TYPE	DOC PART	REVISION
			C-SIZE	73415	SD-73415-169	PSD	001	B6
					SEE TABLE	GENERAL MARKET		2 OF 2