

MATERIALS AND FINISHES

BODY: ZINC ALLOY  
PLATED NICKEL (70 μ-in MIN)

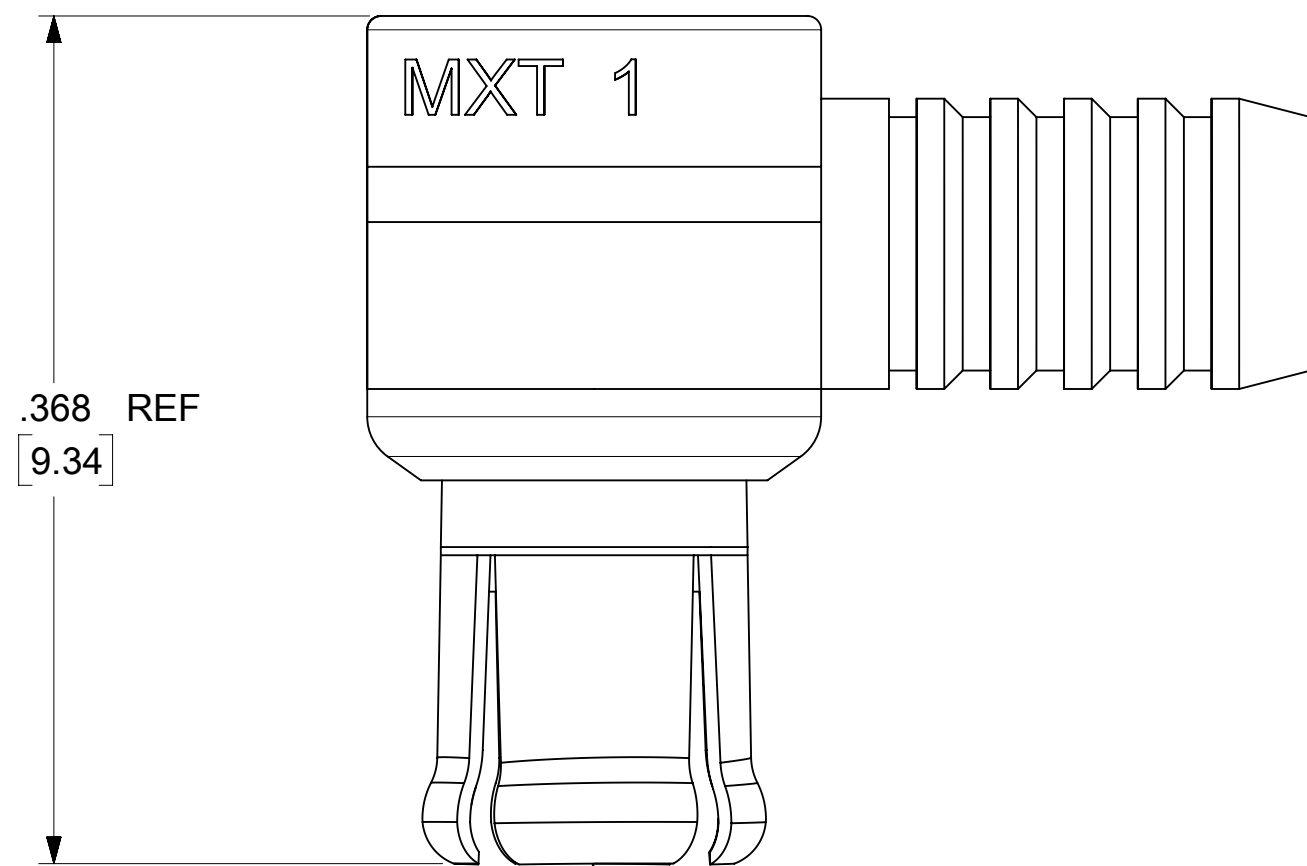
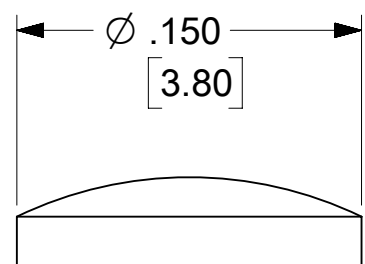
CENTER CONTACT: BRASS  
PLATED GOLD (10 μ-in MIN)

INSULATOR: PTFE

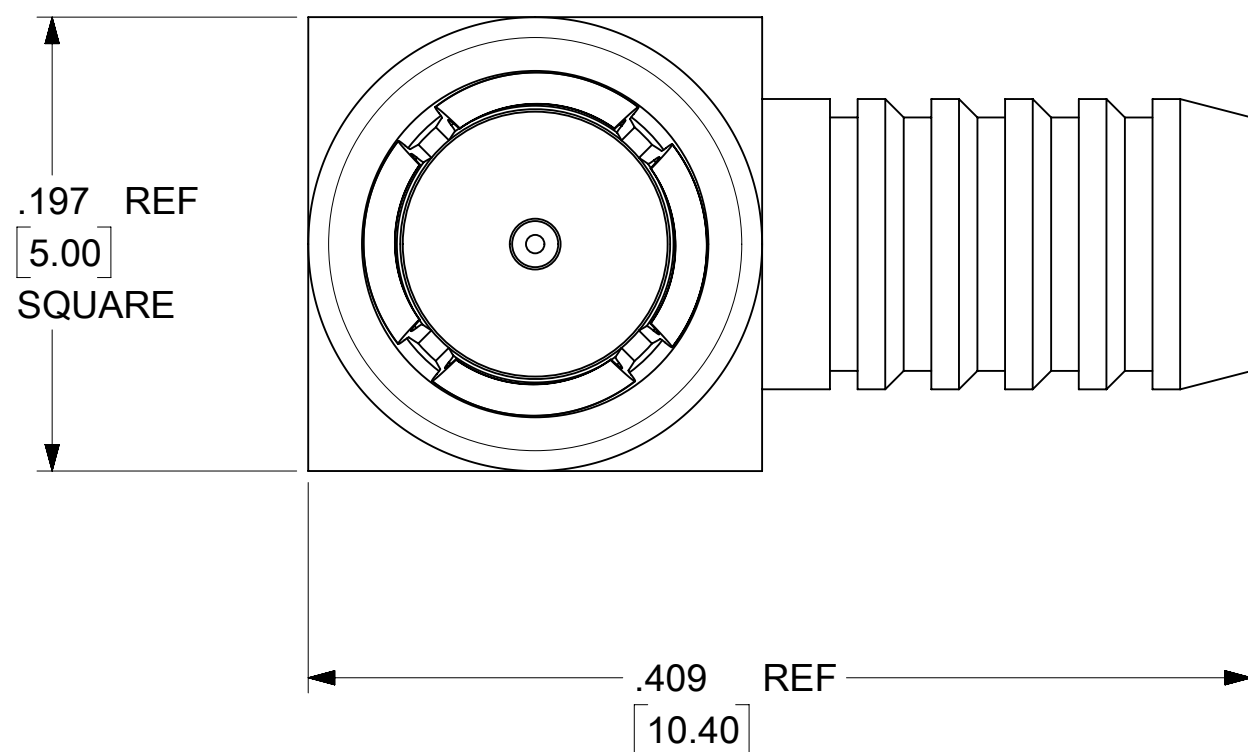
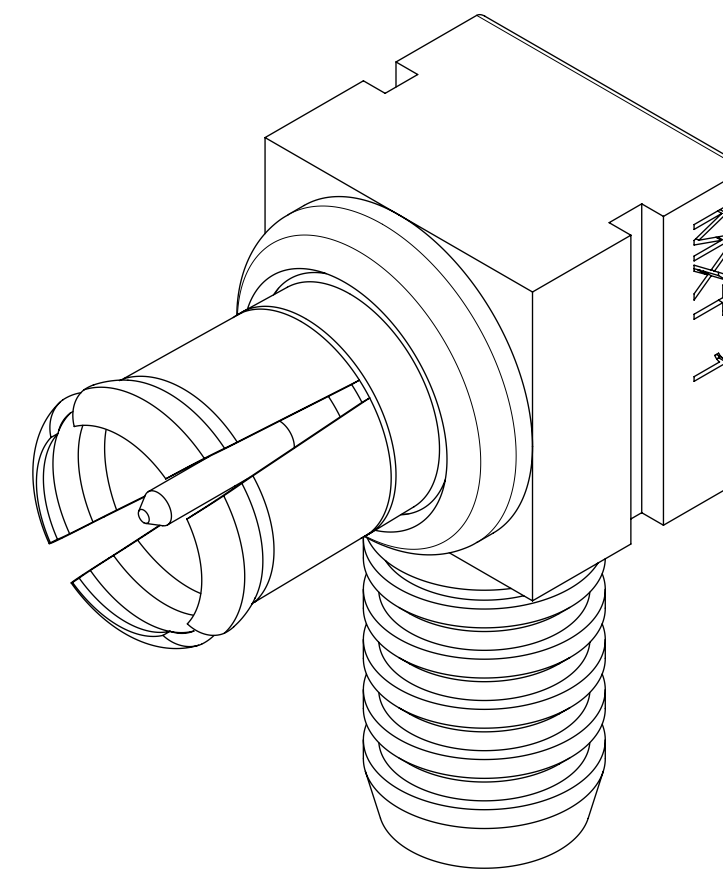
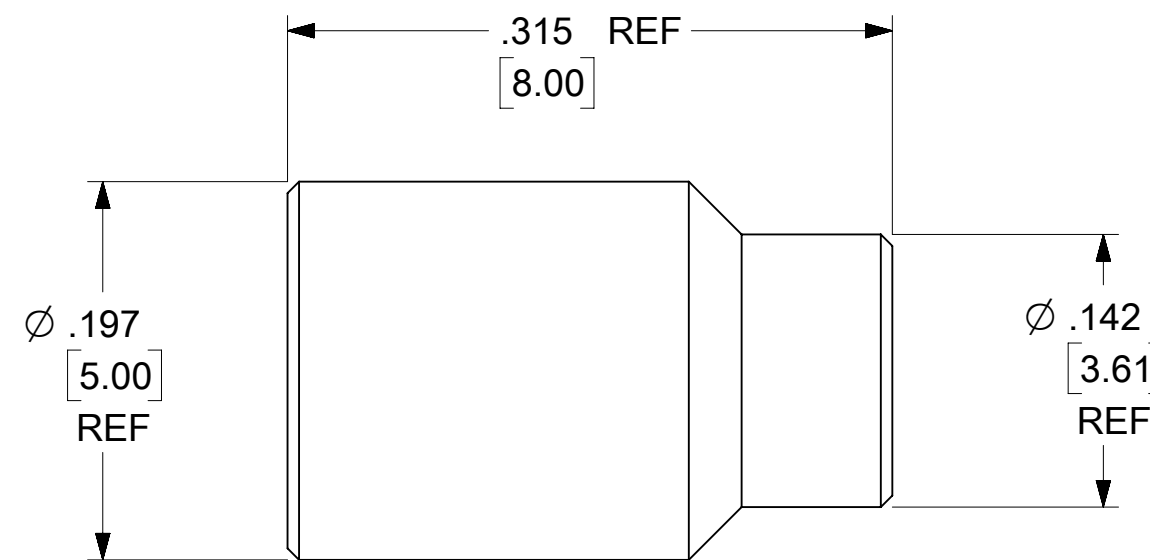
OUTER CONTACT: BERYLLIUM COPPER  
PLATED GOLD (10 μ-in MIN)

CRIMP TUBE: BRASS  
PLATED NICKEL (70 μ-in MIN)

CAP: STAINLESS STEEL  
PASSIVATED



MCX PLUG  
75 OHM  
INTERFACE



**PART # 73415-5190**

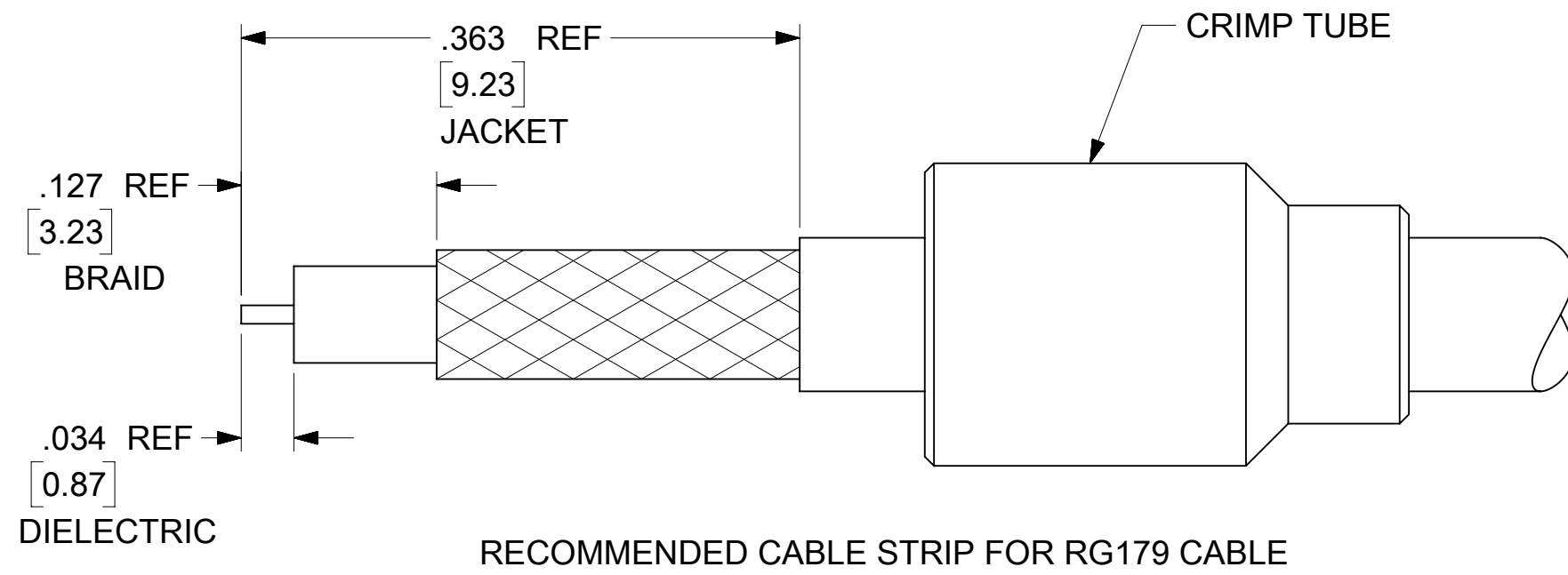
SEE SHEET 2 FOR ASSEMBLY INSTRUCTIONS

SYMBOLS	THIS DRAWING CONTAINS INFORMATION THAT IS PROPRIETARY TO MOLEX ELECTRONIC TECHNOLOGIES, LLC AND SHOULD NOT BE USED WITHOUT WRITTEN PERMISSION			
	DIMENSION UNITS	SCALE	CURRENT REV DESC:	
▽ = 0	IN/MM	NTS	<p><b>molex</b></p> <p>MCX PLUG, R/A FOR RG179 75 OHMS, MCX-PC, EWR-13455</p> <p>PRODUCT CUSTOMER DRAWING</p>	
▽ = 0	GENERAL TOLERANCES (UNLESS SPECIFIED)			
▽ = 0		MM		INCH
▽ = 0	4 PLACES ±			
▽ = 0	3 PLACES ±			± 0.005
▽ = 0	2 PLACES ±	0.13	± 0.01	
▽ = 0	1 PLACE ±	0.25		
▽ = 0	0 PLACES ±			
▽ = 0	ANGULAR TOL	± 2.0°		
▽ = 0	DRAFT WHERE APPLICABLE MUST REMAIN WITHIN DIMENSIONS	THIRD ANGLE PROJECTION	DRAWING C-SIZE	
▽ = 0		SERIES	73415	
		MATERIAL NUMBER	734155190	
		CUSTOMER		
		SHEET NUMBER	1 OF 2	

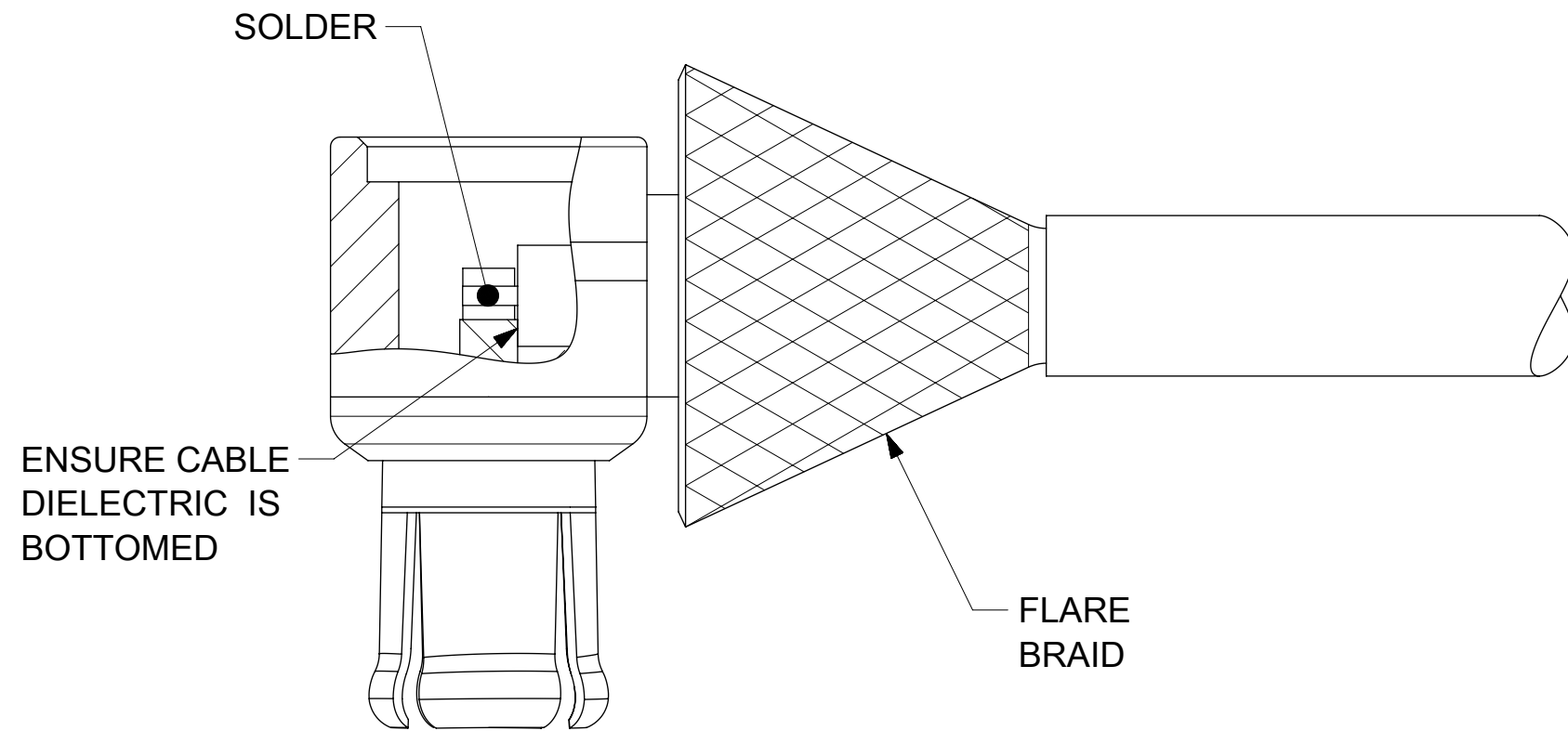
DOCUMENT NUMBER	DOC TYPE	DOC PART	REVISION
<b>SD-73415-519</b>	PSD	001	<b>A1</b>

DOCUMENT STATUS	P1	RELEASE DATE	2019/12/02	22:00:46
-----------------	----	--------------	------------	----------

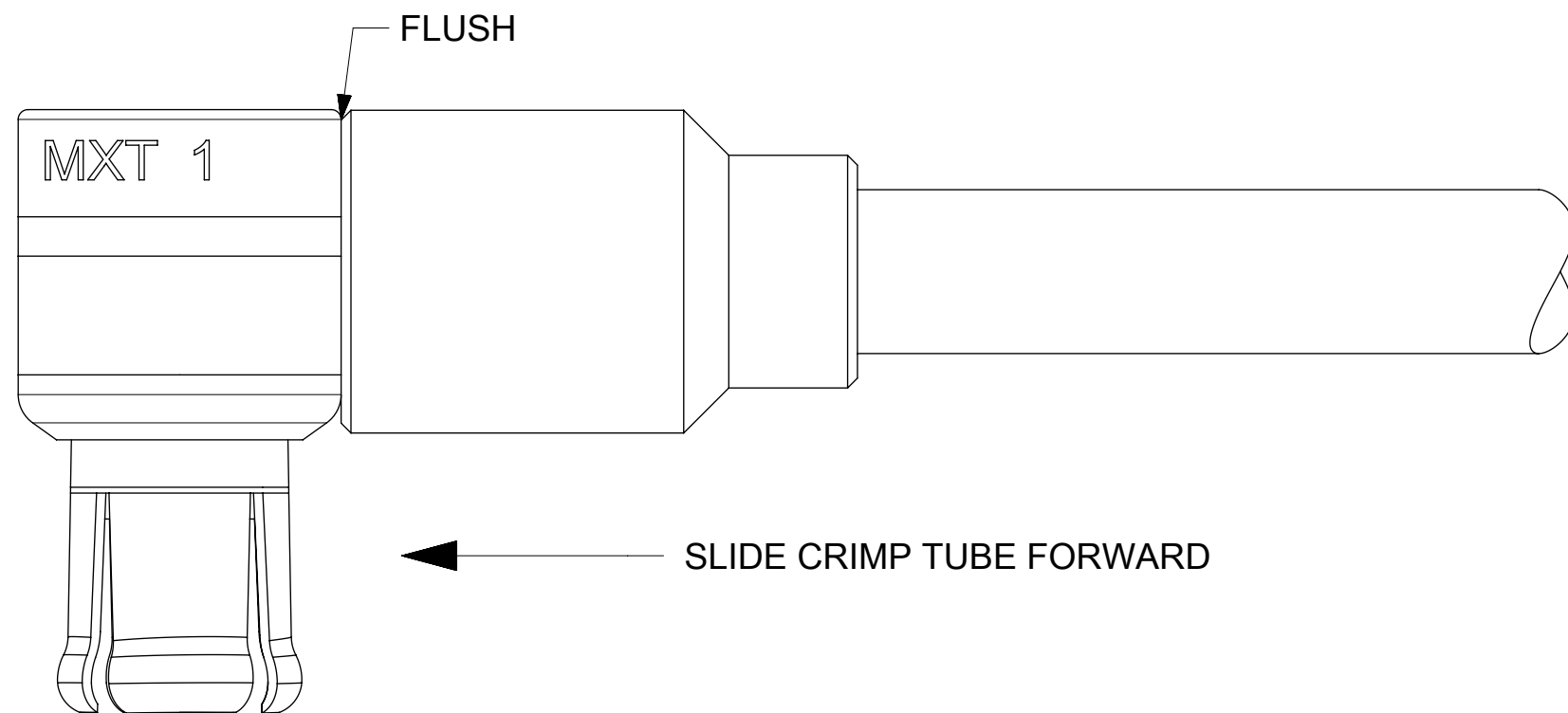
1. SLIDE CRIMP TUBE ONTO CABLE BEFORE CABLE STRIP OPERATIONS.  
NOTE ORIENTATION OF CRIMP TUBE. STRIP CABLE PER DIMENSIONS SHOWN.



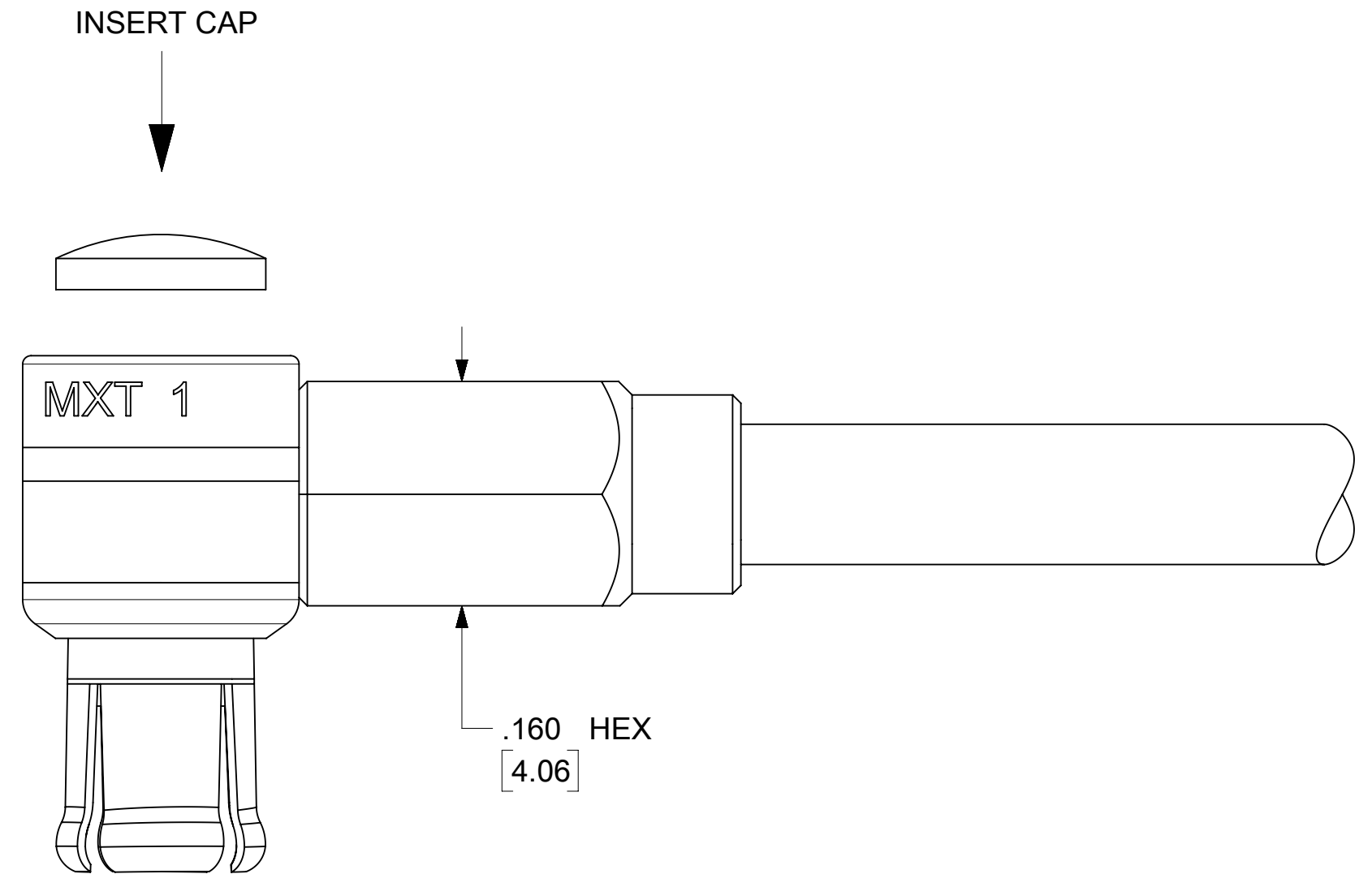
2. FLARE CABLE BRAID. INSERT CABLE INTO CONNECTOR UNTIL CABLE CENTER CONDUCTOR IS INSERTED THROUGH SLOT IN CONTACT AND CABLE DIELECTRIC BOTTOMS AGAINST CONTACT AS SHOWN. SOLDER CABLE CENTER CONDUCTOR TO CONNECTOR CONTACT.



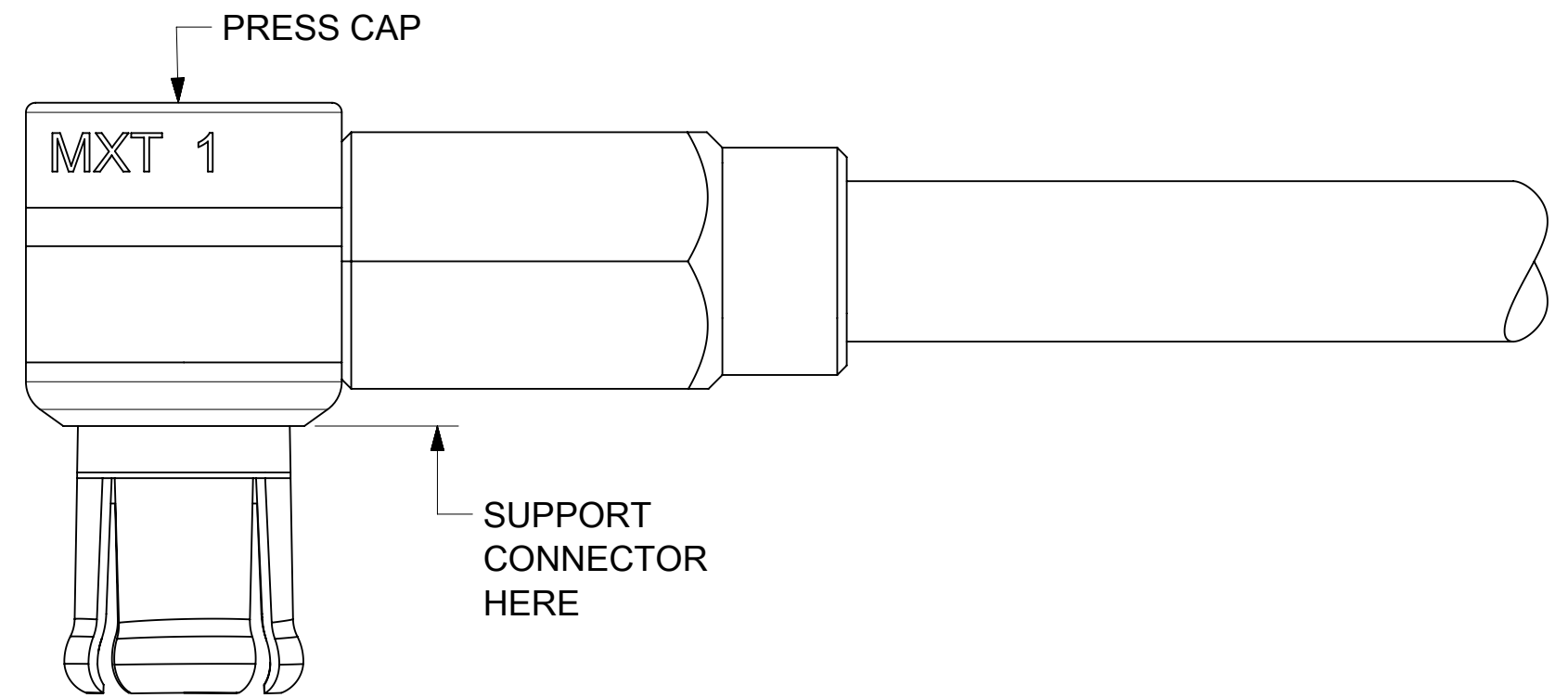
3. SLIDE CRIMP TUBE FORWARD UNTIL FLUSH AGAINST FACE OF BODY AS SHOWN.



4. CRIMP CONNECTOR USING A .160 [4.06] HEX CRIMP TOOL. INSERT CAP INTO OPENING IN REAR OF BODY AS SHOWN. NOTE ORIENTATION OF CAP.



5. SUPPORT CONNECTOR ON SURFACE SHOWN AND PRESS CAP INTO REAR OPENING IN BODY PER AS-89675-507.



SYMBOLS										THIS DRAWING CONTAINS INFORMATION THAT IS PROPRIETARY TO MOLEX ELECTRONIC TECHNOLOGIES, LLC AND SHOULD NOT BE USED WITHOUT WRITTEN PERMISSION									
DIMENSION UNITS					SCALE					CURRENT REV DESC:									
= 0 IN/MM					= 0 NTS					EC NO: 628146									
= 0 GENERAL TOLERANCES (UNLESS SPECIFIED)					= 0					DRWN: LMEIER 2019/11/20									
= 0					= 0					CHK'D: SSSHAH 2019/12/02									
= 0					= 0					APPR: AROBERTSON 2019/12/02									
= 0					= 0					INITIAL REVISION:									
= 0					= 0					DRWN: TEF 2004/10/27									
= 0					= 0					APPR: JDW 2004/10/27									
= 0					= 0					THIRD ANGLE PROJECTION									
= 0					= 0					DRAWING C-SIZE									
= 0					= 0					SERIES 73415									
= 0					= 0					MATERIAL NUMBER 734155190									
= 0					= 0					CUSTOMER									
= 0					= 0					SHEET NUMBER 2 OF 2									

**molex**

MCX PLUG, R/A FOR RG179  
75 OHMS, MCX-PC, EWR-13455

PRODUCT CUSTOMER DRAWING

DOCUMENT NUMBER: SD-73415-519  
DOC TYPE: PSD  
DOC PART: 001  
REVISION: A1