

NOTES:  
 1. CONNECTOR MATERIALS:  
 HOUSING: THERMOPLASTIC UL94 V-0  
 CONTACTS/SHIELD: COPPER ALLOY  
 SHIELD PLATING: NICKEL  
 CONTACT PLATING: SELECTIVE PLATING IN CONTACT AREA  
 SEE CHART FOR DETAILS  
 LIGHT PIPE: CLEAR POLYCARBONATE

△ LOGO, PART NUMBER AND DATE CODE LOCATED APPROX. IN THIS AREA

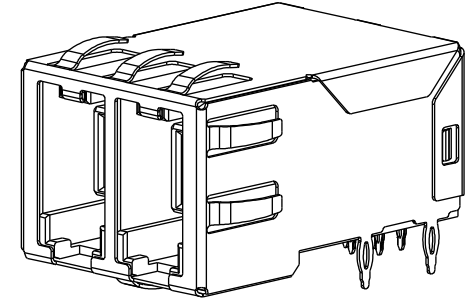
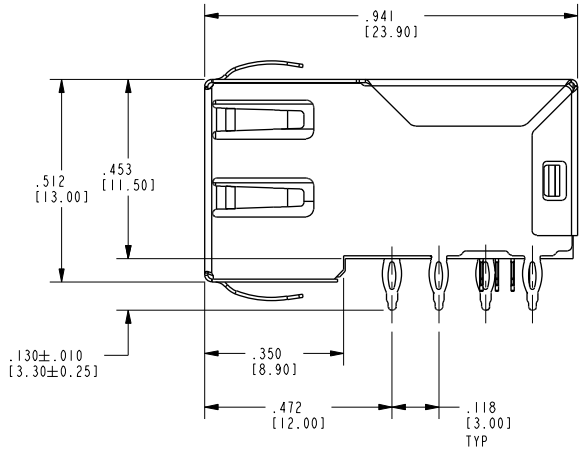
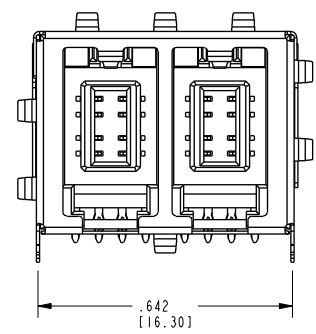
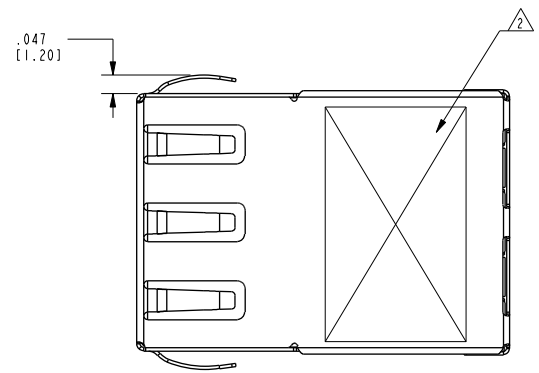
3. RECOMMENDED MIN PCB THICKNESS .062" (1.50MM).

△ DATUM AND BASIC DIMENSION ESTABLISHED BY CUSTOMER

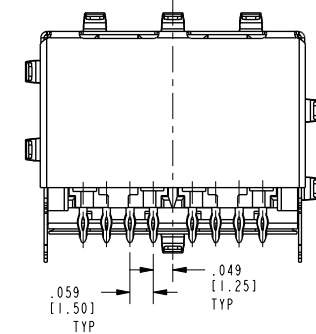
△ FOR HOLE SIZE AND PLATINGS, SEE SHEET 3.

△ RECOMMENDED SMT LED MANUFACTURERS AND PN:  
 EVERLIGHT P/N: 18-225/R6G6C-A01/3T OR  
 PARALIGHT P/N: L-C185KFKGT

7. REFER TO PRODUCT SPECIFICATION PR036-01.



3D VIEW

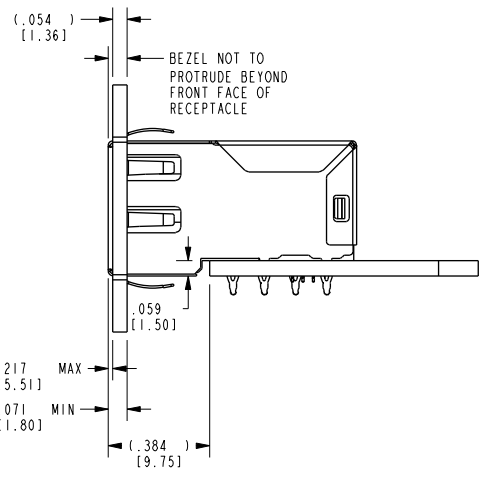
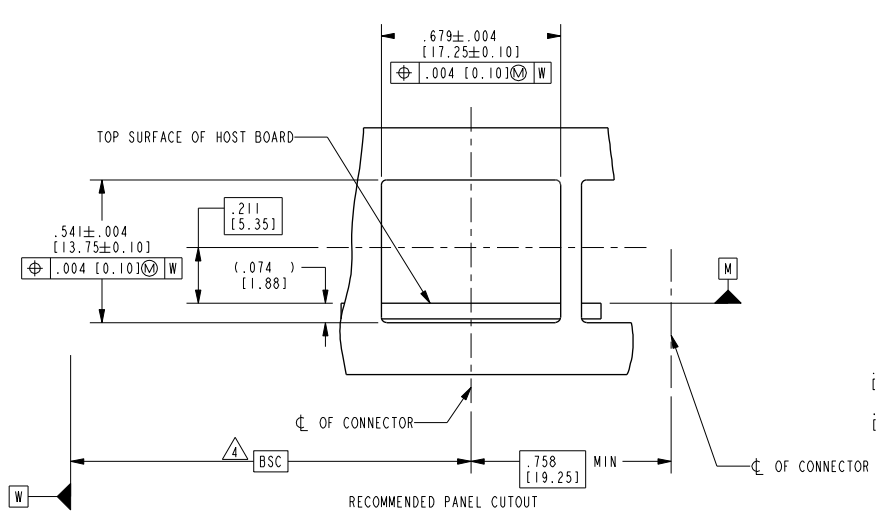


50 MICRO-INCHES [1.27um] NICKEL UNDERPLATE WITH 50 MICRO-INCHES [1.27um] Au OR WITH 5 MICRO-INCHES [0.13um] Au OVER 30 MICRO-INCHES [0.76um] PdNi	RJP5-10-0010
CONTACT PLATING IN MATING AREA	PART NUMBER

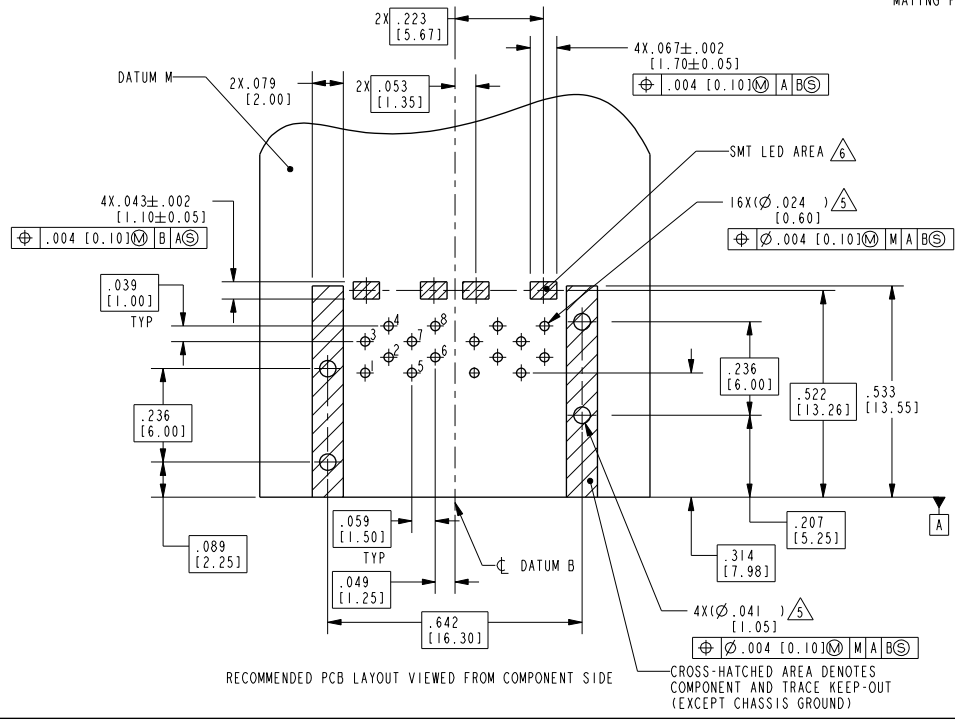
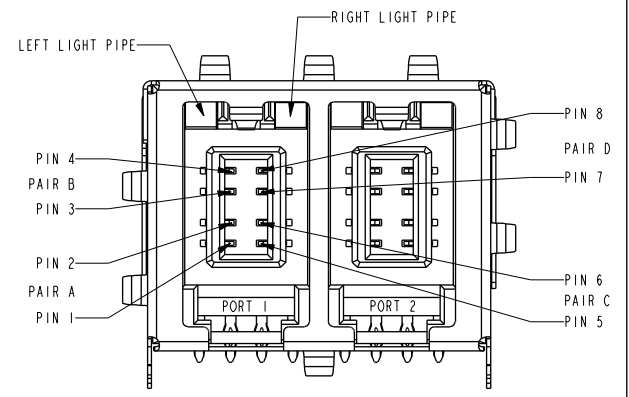
THIRD ANGLE PROJECTION 	 11118 Susquehanna Trail South Glen Rock, PA 17327-9199 (717) 235-7512 <a href="http://www.stewartconnector.com">http://www.stewartconnector.com</a>
DO NOT SCALE DRAWING DRAWING IS SUBJECT TO CHANGE WITHOUT NOTICE	TITLE: RJ POINT FIVE, JACK, PoE+, HORIZONTAL, 1X2 PORT, TAB DOWN, SHIELDED, PG4
DIMENSIONS: INCHES (METRIC)	DRN BY: RICK LI DATE 9-16-15
UNLESS OTHERWISE SPECIFIED TOLERANCES ARE ±.005 (0.13) ANGLES ARE ±1°	APPD BY: ANDREW BAUM DATE 9-16-15
SHEET NO. 1 OF 3	DWG. NO. 2250336 REV. A2



RJ POINT FIVE IS A TRADEMARK OF TE CONNECTIVITY USED HERE BY PERMISSION



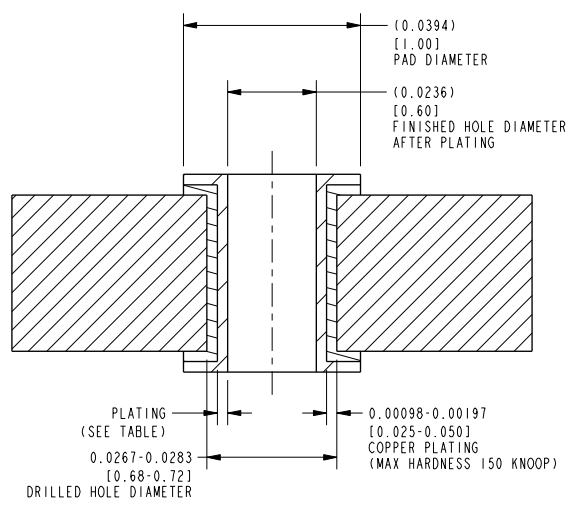
NOTE:  
SUGGESTED PANEL OPENING AND LOCATION IS INTENDED TO GIVE THE USER THE ABILITY TO HAVE REASONABLE JACK/PANEL CLEARANCES, YET MAINTAIN GROUNDING CAPABILITY. THESE VARIABLES CAN BE ADJUSTED BUT MAY RESULT IN LOWER MATING FORCES OR TIGHTER ASSEMBLY TOLERANCES.



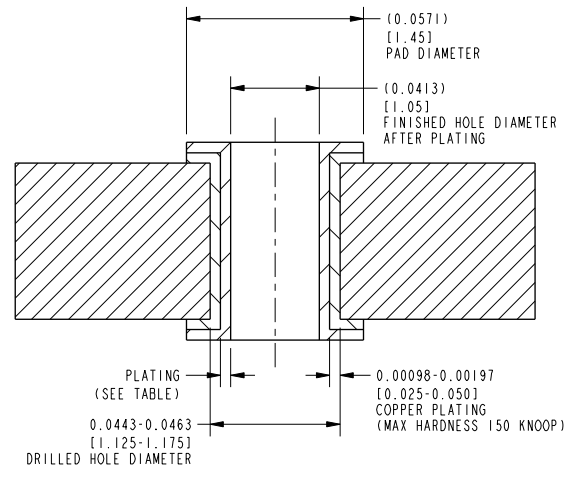
TD0+	HP-1	①	MX0+
TD0-	HP-2	②	MX0-
TD1+	HP-3	③	MX1+
TD1-	HP-4	④	MX1-
TD2+	HP-5	⑤	MX2+
TD2-	HP-6	⑥	MX2-
TD3+	HP-7	⑦	MX3+
TD3-	HP-8	⑧	MX3-

THIRD ANGLE PROJECTION	<p><b>stewart</b> CONNECTOR a bel group</p>	11118 Susquehanna Trail South Glen Rock, PA 17327-9199 (717) 235-7512 <a href="http://www.stewartconnector.com">http://www.stewartconnector.com</a>	
DO NOT SCALE DRAWING		TITLE: RJ POINT FIVE, JACK, PoE+, HORIZONTAL, 1X2 PORT, TAB DOWN, SHIELDED, PG4	
DRAWING IS SUBJECT TO CHANGE WITHOUT NOTICE	UNLESS OTHERWISE SPECIFIED TOLERANCES ARE $\pm .005$ [0.13] ANGLES ARE $\pm 1^\circ$	DRN BY: RICK LI	DATE: 9-16-15
DIMENSIONS: INCHES (METRIC)		APPD BY: ANDREW BAUM	DATE: 9-16-15
SHEET NO. 2 OF 3		DWG. NO. 2250336	REV. A2





RECOMMENDED HOLE DIMENSIONS  
FOR SIGNAL CONTACTS



RECOMMENDED HOLE DIMENSIONS  
FOR SHIELD PINS

SUGGESTED HOLE CONSTRUCTION		
THICKNESS (MIL INCH)	THICKNESS (MM)	PLATING
0.1575-0.3937	0.004-0.010	HOT AIR SOLDER LEVELING (HASL) TIN-LEAD (Sn Pb)
0.0197-0.0394	0.0005-0.001	IMMERSION TIN (Sn)
0.0079-0.0197	0.0002-0.0005	ORGANIC SOLDERABILITY PRESERVATIVE (OSP)
0.0039-0.0197 Au, 0.1575-0.2992 Ni	0.0001-0.0005 Au, 0.004-0.0076 Ni	IMMERSION GOLD (Au) OVER NICKEL (Ni) (ENIG)
0.3937-0.9843	0.010-0.025	TIN LEAD PLATING (Sn Pb)
0.0039-0.0059	0.0001-0.00015	IMMERSION SILVER (Ag)

THIRD ANGLE PROJECTION 	 <b>stewart</b> CONNECTOR a bel group	11118 Susquehanna Trail South Glen Rock, PA 17327-9199 (717) 235-7512 <a href="http://www.stewartconnector.com">http://www.stewartconnector.com</a>
DO NOT SCALE DRAWING DRAWING IS SUBJECT TO CHANGE WITHOUT NOTICE	TITLE: RJ POINT FIVE, JACK, PoE+, HORIZONTAL, 1X2 PORT, TAB DOWN, SHIELDED, PG4	
DIMENSIONS: INCHES (METRIC)	THIS DRAWING AND THE SUBJECT MATTER SHOWN THEREON ARE CONFIDENTIAL AND THE PROPRIETARY PROPERTY OF STEWART CONNECTOR AND SHALL NOT BE REPRODUCED, COPIED, OR USED IN ANY MANNER WITHOUT PRIOR WRITTEN CONSENT OF STEWART CONNECTOR. ONE OR MORE U.S. PATENTS MAY APPLY TO THIS PRODUCT. FOR DETAILS, PLEASE VISIT: <a href="http://BELFUSE.COM/STEWART/STEWART_PATENTS/">HTTP://BELFUSE.COM/STEWART/STEWART_PATENTS/</a>	DRN BY: RICK LI DATE: 9-16-15
UNLESS OTHERWISE SPECIFIED TOLERANCES ARE ±.005 (0.13) ANGLES ARE ±1°		APPD BY: ANDREW BAUM DATE: 9-16-15
SHEET NO. 3 OF 3		DWG. NO. 2250336 REV. A2

