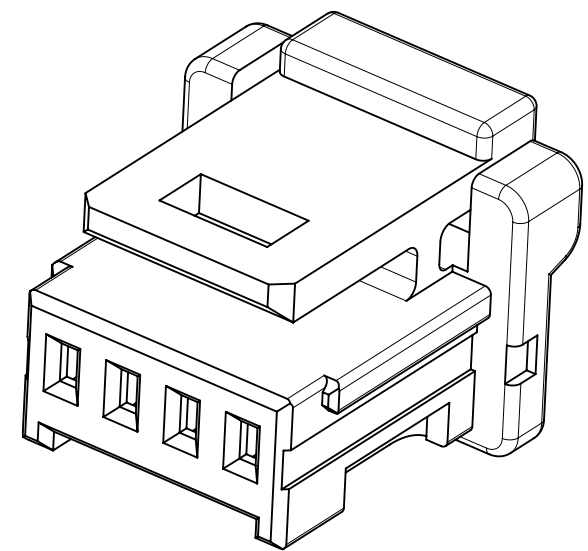
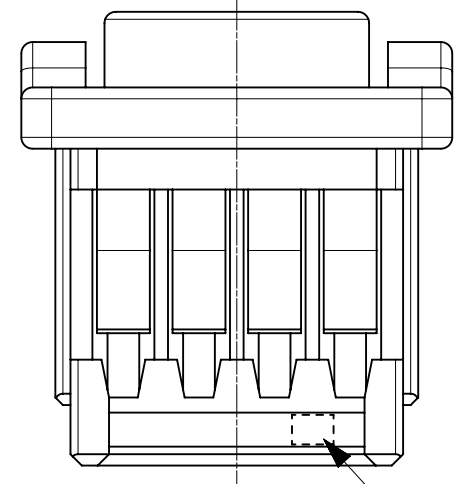
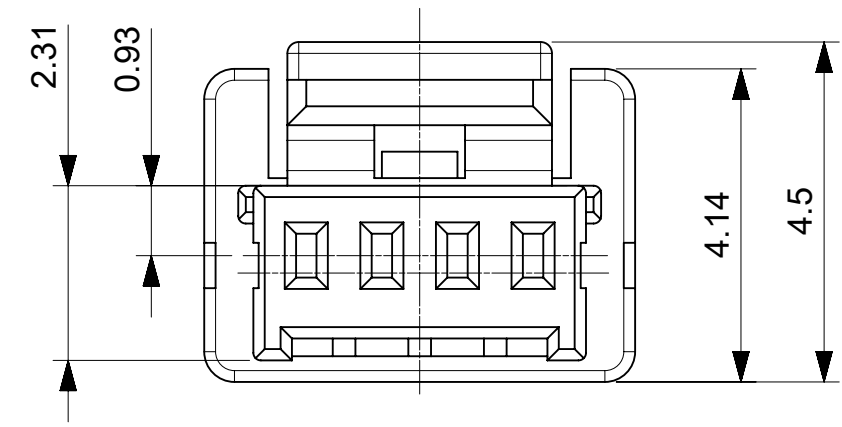
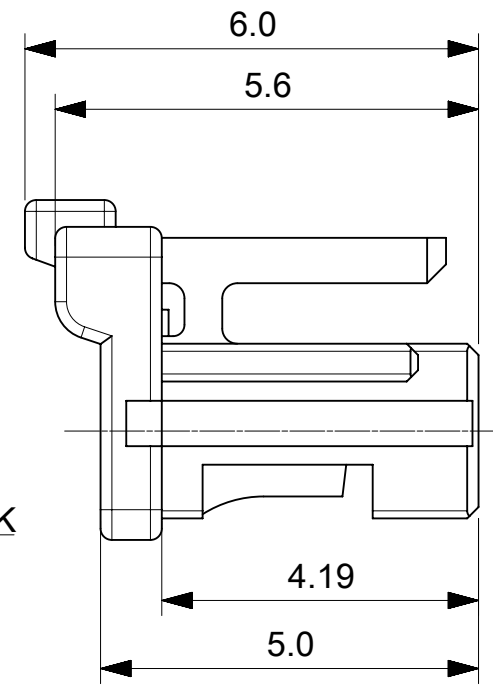
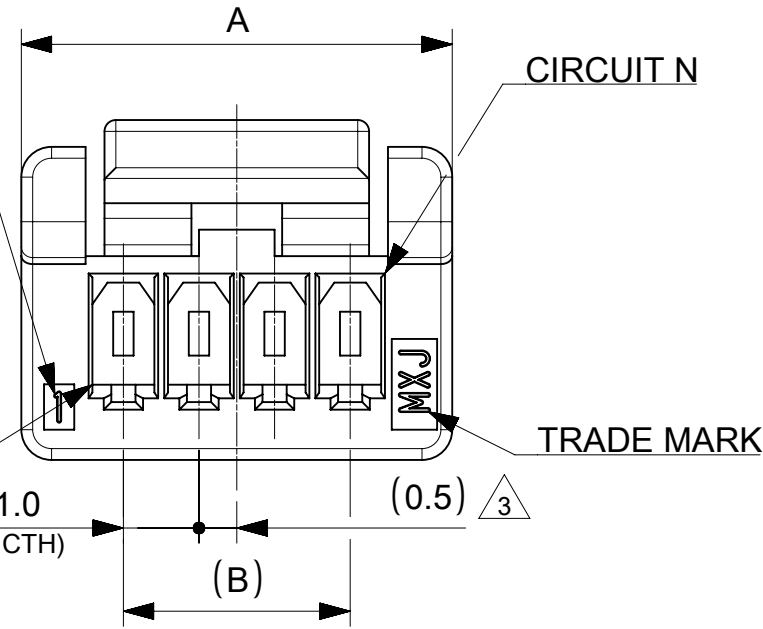
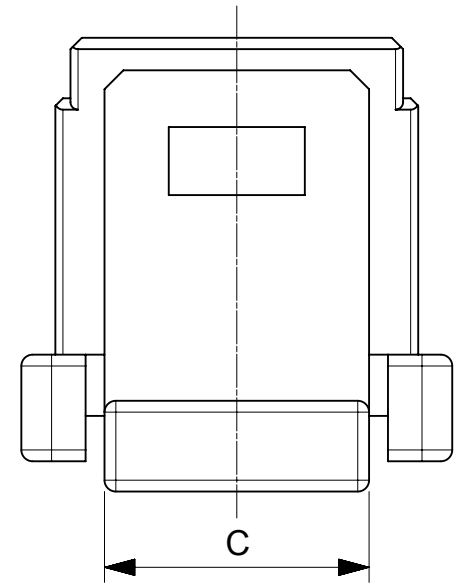


NOTES

- △1 材料：TABLE 1 参照  
MATERIAL：SEE TABLE 1
- △2 本製品の適応嵌合相手及び各製品仕様書はSHEET 2を御参照下さい。  
REFER TO SHEET 2 FOR MATE PARTNER AND EACH PRODUCT SPECIFICATION.
- △3 偶数極に適応  
APPLY FOR EVEN CIRCUIT
- △4 発注番号：TABLE 2 参照  
ORDER No.：SEE TABLE 2
- 5. 梱包仕様書：SPK-501939-001  
PACKING SPECIFICATION：

501939 \*\* \*\*

極数 CIRCUIT SIZE	ハウジングカラー HOUSING COLOR
	00:NATURAL(WHITE)
	31:BLACK



△4 TABLE 2

			HOUSING COLOR		
			BLACK	NATURAL(WHITE)	
3.5	4.0	6.7	501939 0531	501939 0500	5
	3.0	5.7	501939 0431	501939 0400	4
2.5	2.0	4.7	501939 0331	501939 0300	3
C	B	A	発注番号 ORDER No.		極数 CIRCUIT SIZE
極数別 寸法 DIMENSION			梱包形態：ポリ袋 PACKAGE:POLYBAG		

△1 TABLE 1

部品 PART	材質 MATERIAL
ハウジング HOUSING	ポリアミド(PA), UL94V-0, LOW HALOGEN, 色：SEE TABLE 2 POLYAMIDE(PA), UL94V-0, LOW HALOGEN, COLOR：SEE TABLE 2

THIS DRAWING CONTAINS INFORMATION THAT IS PROPRIETARY TO MOLEX ELECTRONIC TECHNOLOGIES, LLC AND SHOULD NOT BE USED WITHOUT WRITTEN PERMISSION

DIMENSION UNITS mm	SCALE NTS	CURRENT REV DESC:		<b>molex</b>		
GENERAL TOLERANCES (UNLESS SPECIFIED)		EC NO: 630585				
ANGULAR TOL	± 3.0°	DRWN: AISHIKAWA 2020/01/16		PRODUCT CUSTOMER DRAWING		
4 PLACES	± 0.2	CHK'D: AIDA 2020/01/21		DOCUMENT NUMBER		
3 PLACES	± 0.2	APPR: SAKIYAMA 2020/01/21		5019390000-SD		
2 PLACES	± 0.2	INITIAL REVISION:		DOC TYPE DOC PART REVISION		
1 PLACE	± 0.2	DRWN: AISHIKAWA 2019/03/15		PSD 000 C		
0 PLACES	± 0.2	APPR: KOMURAKAMI 2019/04/03		MATERIAL NUMBER CUSTOMER SHEET NUMBER		
DRAFT WHERE APPLICABLE MUST REMAIN WITHIN DIMENSIONS		THIRD ANGLE PROJECTION	DRAWING	SERIES	501939	SEE SHEET 2

△ 2 適応製品及び各製品仕様書  
**APPLICABLE PRODUCTS AND EACH PRODUCT SPECIFICATIONS**

適応圧着端子 APPLY CRIMP TERMINAL	PART NUMBER	PLATING TYPE		WIRE SIZE(AWG)
	501334 0000	TIN (THICKNESS) 【MICRO-METER MIN.】	1.0	#28 - #32
	501193 7000	GOLD (THICKNESS) 【MICRO-METER MIN.】	0.1	
	501193 8000		0.38	
	501193 9000		0.76	

●ASSEMBLY STANDARD MATERIAL

列 ROW	SINGLE							
	SMT				SMT			
適応嵌合相手 MATE WITH	VERTICAL	RIGHT ANGLE	VERTICAL			RIGHT ANGLE		
	TIN (THICKNESS) 【MICRO-METER MIN】	TIN (THICKNESS) 【MICRO-METER MIN】	GOLD (THICKNESS) 【MICRO-METER MIN】			GOLD (THICKNESS) 【MICRO-METER MIN】		
	1.0	1.0	0.1	0.38	0.76	0.1	0.38	0.76
シリーズ番号 SERIES No.	501940 **07	501953 **07	501940 **03	203560 **03	203561 **03	501953 **05	203562 **05	203563 **05
製品仕様書 PRODUCT SPECIFICATION	PS-501940-001				5019390000-PS PS 001			
取扱説明書 APPLICATION SPECIFICATION	5013300000-AS PS 000							

●ASSEMBLY LOW HALOGEN MATERIAL

列 ROW	SINGLE							
	SMT				SMT			
適応嵌合相手 MATE WITH	VERTICAL	RIGHT ANGLE	VERTICAL			RIGHT ANGLE		
	TIN (THICKNESS) 【MICRO-METER MIN】	TIN (THICKNESS) 【MICRO-METER MIN】	GOLD (THICKNESS) 【MICRO-METER MIN】			GOLD (THICKNESS) 【MICRO-METER MIN】		
	1.0	1.0	0.1	0.38	0.76	0.1	0.38	0.76
シリーズ番号 SERIES No.	208383 ***9	208385 ***9	208383 ***7	208383 ***5	208383 ***3	208385 ***7	208385 ***5	208385 ***3
製品仕様書 PRODUCT SPECIFICATION	5019390000-PS PS 002				5019390000-PS PS 003			
取扱説明書 APPLICATION SPECIFICATION	5013300000-AS PS 001							

製品嵌合図は各"適応嵌合相手"図面参照のこと  
 MATING VIEW:REFER TO EACH "MATE WITH" PART DRAWING.

THIS DRAWING CONTAINS INFORMATION THAT IS PROPRIETARY TO MOLEX ELECTRONIC TECHNOLOGIES, LLC AND SHOULD NOT BE USED WITHOUT WRITTEN PERMISSION		CURRENT REV DESC:		<b>molex</b>	
DIMENSION UNITS mm	SCALE NTS	EC NO: 630585			
GENERAL TOLERANCES (UNLESS SPECIFIED)		DRWN: AISHIKAWA 2020/01/16		PICO-CLASP 1.0 W/B SINGLE ROW REC HSG OUTER LOCK	
ANGULAR TOL ± 3.0 °	4 PLACES ± 0.2	CHK'D: AIDA 2020/01/21		PRODUCT CUSTOMER DRAWING	
3 PLACES ± 0.2	2 PLACES ± 0.2	APPR: SAKIYAMA 2020/01/21		DOCUMENT NUMBER	
1 PLACE ± 0.2	0 PLACES ± 0.2	INITIAL REVISION:		5019390000-SD	
DRAFT WHERE APPLICABLE MUST REMAIN WITHIN DIMENSIONS		DRWN: AISHIKAWA 2019/03/15		DOC TYPE	
THIRD ANGLE PROJECTION		APPR: KOMURAKAMI 2019/04/03		PSD	
DRAWING		SERIES		DOC PART	
A3-SIZE		501939		000	
MATERIAL NUMBER		CUSTOMER		REVISION	
SEE SHEET 2				C	
SHEET NUMBER				2 OF 2	