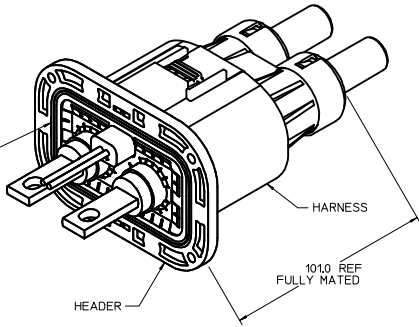
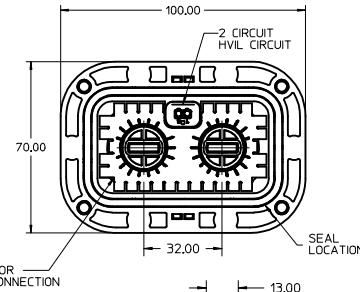
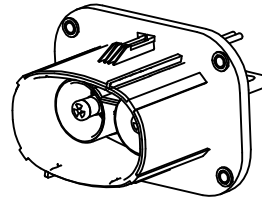


PART NUMBER	KEYING OPTION
171467-1001	A
171467-1002	B

MAIN PANEL SEAL MUST BE FULLY SEATED IN SEAL CAVITY BEFORE ATTACHMENT TO PANEL

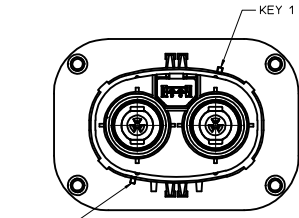


HEADER MATED TO HARNESS

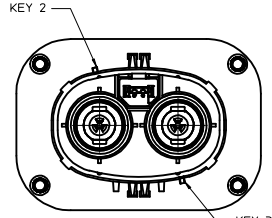


NOTES:

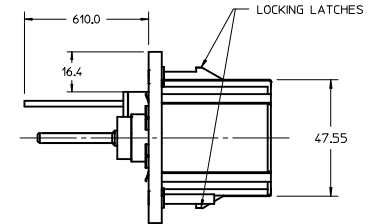
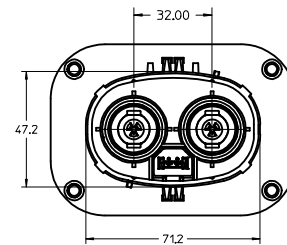
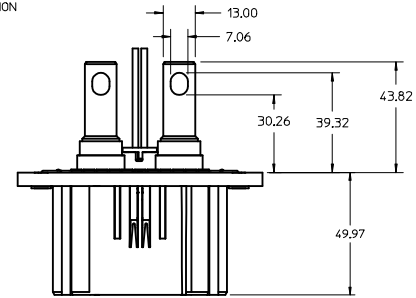
- MATERIAL:
MAIN HOUSING: POLYESTER 94V-0 (OPTIONAL UV STABILIZED)
COLOR: ORANGE
POWER TERMINALS: COPPER
HVIL TERMINALS: COPPER ALLOY
- FINISH:
POWER TERMINALS: SILVER OVER NICKEL PLATING
HVIL TERMINALS: TIN OVER NICKEL PLATING
- WIRE FOR HVIL TERMINALS: 18 GAGE TXL AUTOMOTIVE GRADE STRANDED WIRE
- MATES WITH HARNESS ASSEMBLY SERIES 171466-1***
- ATTACH HEADER WITH SCREWS TO PANEL PER MOLEX APPLICATION SPEC
- PRODUCT SPECIFICATION: PS-171467-001
- APPLICATION SPECIFICATION: AS-171467-001
- PACKAGING SPECIFICATION: PK-171467-999
- SHIELD MATING SURFACE WITHIN THE KEEP OUT ZONE MUST BE A CLEAN SURFACE WITH TIN OR NICKEL PLATING
- BUS BAR AND MOUNTING HARDWARE TO BE OVERALL TIN PLATED



OPTION A
KEYING 1-4
MOLEX STANDARD
KEYIN VERSION



OPTION B
KEYING 2-3

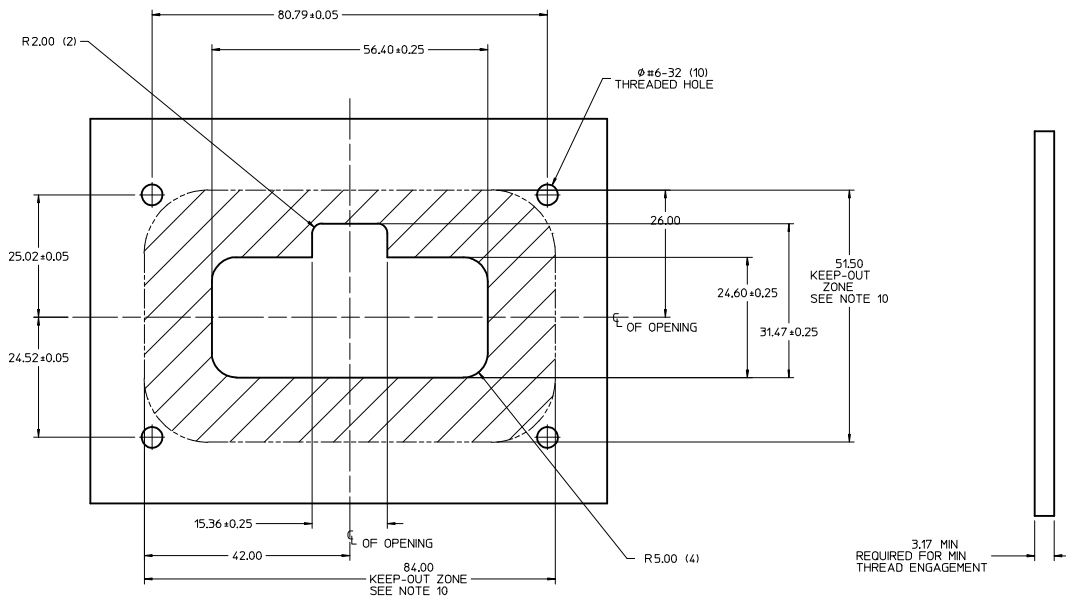


USE OF THIS PRODUCT REQUIRES THAT APPROPRIATE HIGH VOLTAGE WARNING LABELS BE APPLIED TO THE CABLE ASSEMBLY AND/OR IN CLOSE PROXIMITY OF THE MATED CONNECTOR APPLICATION IN A MANNER THAT PROVIDES SUITABLE WARNING TO THE END USER AND MEETS APPLICABLE LAWS. IT IS THE RESPONSIBILITY OF THE OEM OR MANUFACTURER OF THE PRODUCT IN WHICH THIS CONNECTOR SYSTEM IS USED TO APPLY THE APPROPRIATE HIGH VOLTAGE WARNING LABEL(S) TO THE FINAL PRODUCT. TO THE EXTENT MOLEX IS NOT RESPONSIBLE FOR THE FINAL CABLE ASSEMBLY, MOLEX DISCLAIMS ALL WARRANTIES AND LIABILITY THAT RESULT FROM A FAILURE TO PROVIDE AN APPROPRIATE WARNING.

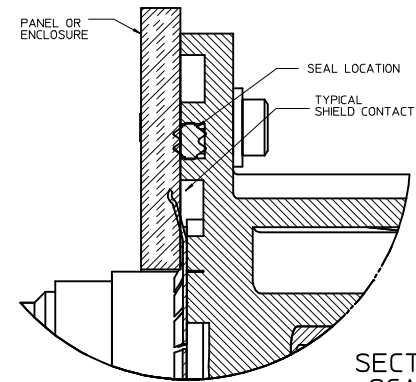
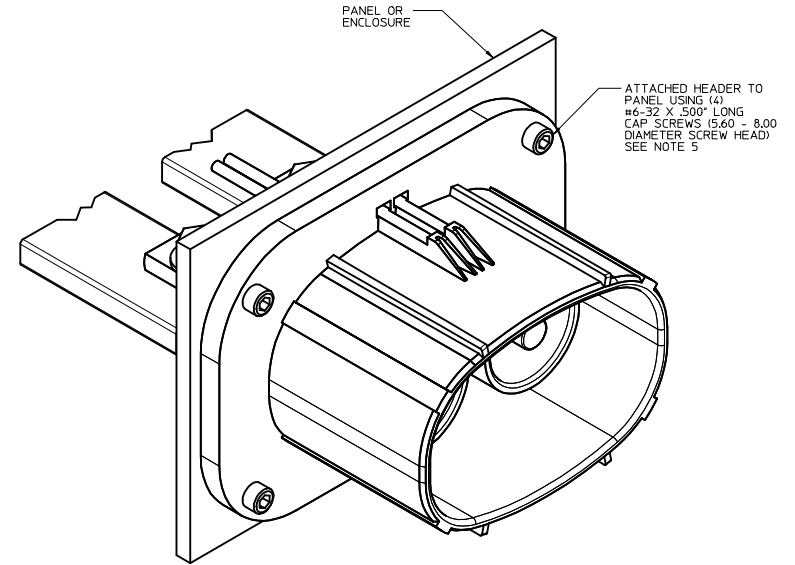
REVISED PIN LOCATION EC NO: UCP2017-1062 DRAWN BY: MDATA CHKD: MDATA APPR: APATEL REV: 1	2016/10/02	2016/10/21	QUALITY SYMBOLS	GENERAL TOLERANCES (UNLESS SPECIFIED)	DIMENSION STYLE	SCALE	DESIGN UNITS	THIRD ANGLE PROJECTION	
			▽=0	mm INCH	MM ONLY	1:1	METRIC	☉	
			▽=0	4 PLACES ± --- ± ---	DRAWN BY DATE				
			▽=0	3 PLACES ± --- ± ---	CHECKED BY DATE				
			2 PLACES ± 0.60 ± ---	APATEL DATE					
			1 PLACE ± 0.90 ± ---	APATEL DATE					
			ANGULAR ±1/2°						
DRAFT WHERE APPLICABLE MUST REMAIN WITHIN DIMENSIONS				SEE CHART		DOCUMENT NO.		SHEET NO.	
				THIS DRAWING CONTAINS INFORMATION THAT IS PROPRIETARY TO MOLEX INCORPORATED AND SHOULD NOT BE USED WITHOUT WRITTEN PERMISSION		SD-171467-1000		1 OF 2	

HEADER ASSY
PANEL MOUNT
IMPERIUM

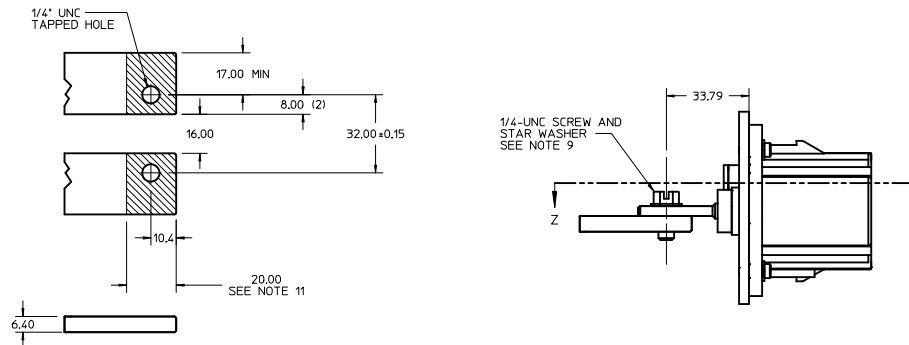
MOLEX INCORPORATED



PANEL REQUIREMENTS
SCALE 2:1



SECTION Z-Z
SCALE 4:1

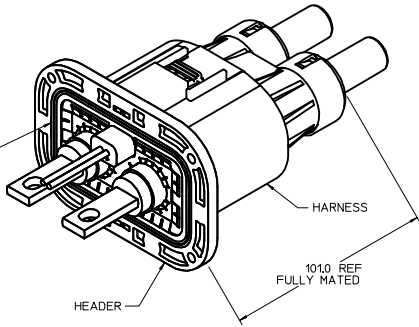


RECOMMENDED BUS BAR DETAIL

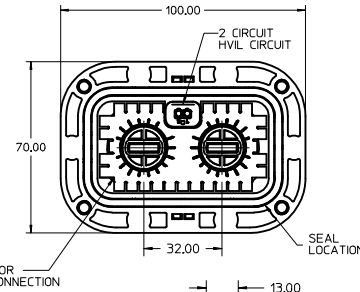
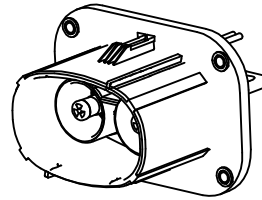
SEE SHEET 1 IEC NO: UCP2017-1062 DRAWN BY: CHYD APPR: APATEL DATE: 2016/12/21	QUALITY SYMBOLS	GENERAL TOLERANCES (UNLESS SPECIFIED)	DIMENSION STYLE	SCALE	DESIGN UNITS	THIRD ANGLE PROJECTION
	▽=0	mm INCH	MM ONLY	1:1	METRIC	☉
	▽=0	4 PLACES ± --- ± ---	DRAWN BY: MDATA	DATE: 2011/12/08	TITLE: HEADER ASSY PANEL MOUNT IMPERIUM	MOLEX INCORPORATED MATERIAL NO. SD-171467-1000 DOCUMENT NO. 2 OF 2
	▽=0	3 PLACES ± --- ± ---	CHECKED BY: MDATA	DATE: 2011/12/21		
▽=0	2 PLACES ± 0.60 ± ---	APPROVED BY: APATEL	DATE: 2012/04/11	SIZE: SEE CHART	THIS DRAWING CONTAINS INFORMATION THAT IS PROPRIETARY TO MOLEX INCORPORATED AND SHOULD NOT BE USED WITHOUT WRITTEN PERMISSION	
	1 PLACE ± 0.90 ± ---	ANGULAR ± 1/2°				
DRAFT WHERE APPLICABLE MUST REMAIN WITHIN DIMENSIONS						

PART NUMBER	KEYING OPTION
171467-1001	A
171467-1002	B

MAIN PANEL SEAL MUST BE FULLY SEATED IN SEAL CAVITY BEFORE ATTACHMENT TO PANEL

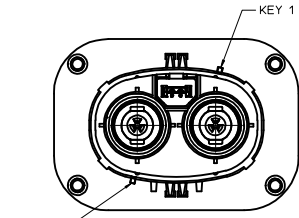


HEADER MATED TO HARNESS

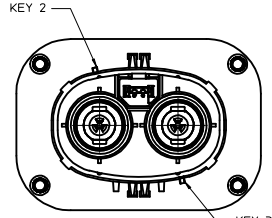


NOTES:

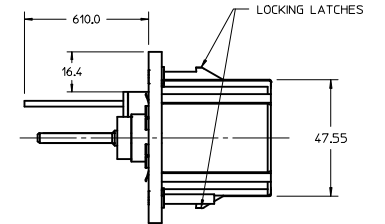
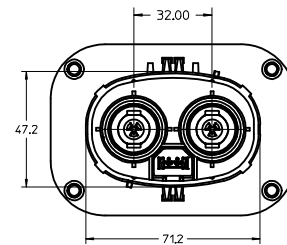
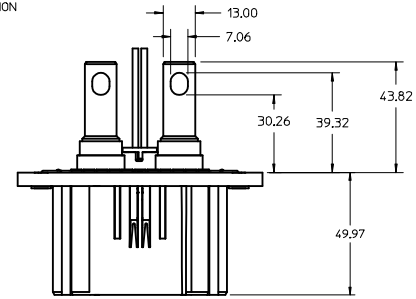
- MATERIAL:
MAIN HOUSING: POLYESTER 94V-0 (OPTIONAL UV STABILIZED)
COLOR: ORANGE
POWER TERMINALS: COPPER
HVIL TERMINALS: COPPER ALLOY
- FINISH:
POWER TERMINALS: SILVER OVER NICKEL PLATING
HVIL TERMINALS: TIN OVER NICKEL PLATING
- WIRE FOR HVIL TERMINALS: 18 GAGE TXL AUTOMOTIVE GRADE STRANDED WIRE
- MATES WITH HARNESS ASSEMBLY SERIES 171466-1***
- ATTACH HEADER WITH SCREWS TO PANEL PER MOLEX APPLICATION SPEC
- PRODUCT SPECIFICATION: PS-171467-001
- APPLICATION SPECIFICATION: AS-171467-001
- PACKAGING SPECIFICATION: PK-171467-999
- SHIELD MATING SURFACE WITHIN THE KEEP OUT ZONE MUST BE A CLEAN SURFACE WITH TIN OR NICKEL PLATING
- BUS BAR AND MOUNTING HARDWARE TO BE OVERALL TIN PLATED



OPTION A
KEYING 1-4
MOLEX STANDARD
KEYIN VERSION

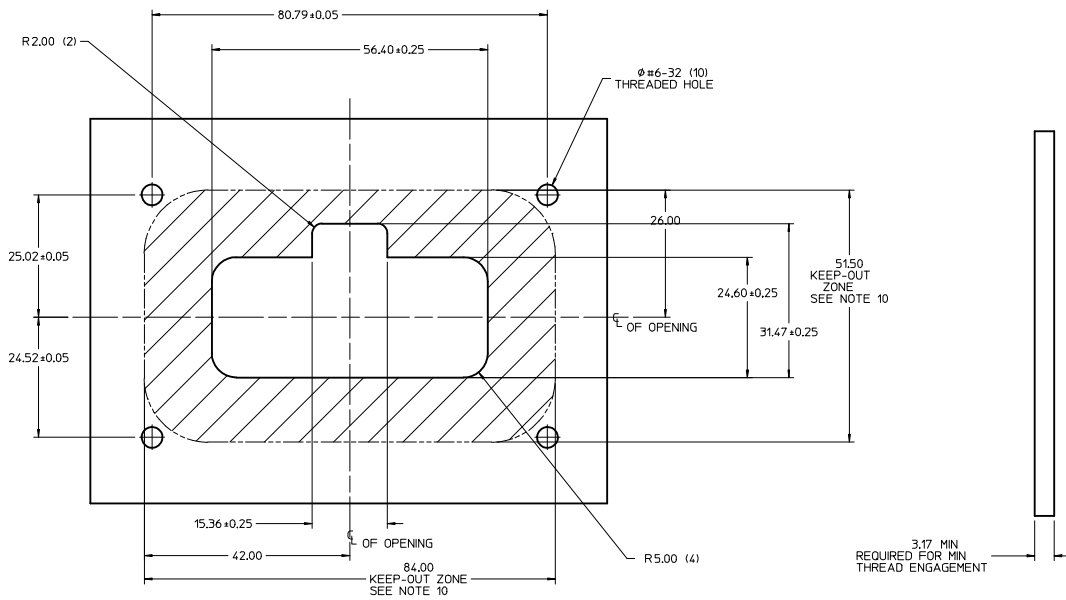


OPTION B
KEYING 2-3

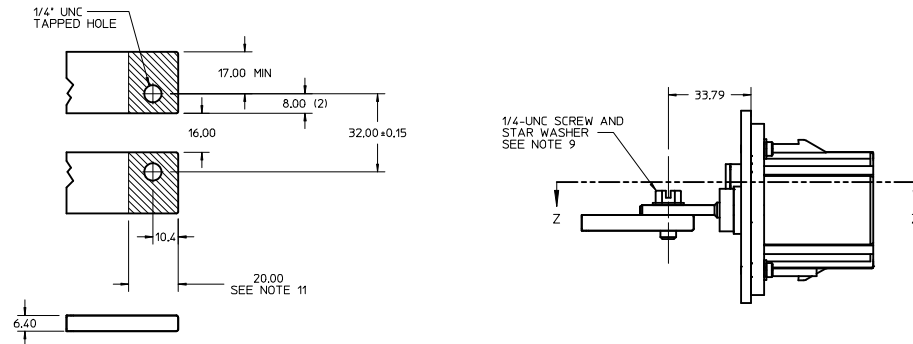


USE OF THIS PRODUCT REQUIRES THAT APPROPRIATE HIGH VOLTAGE WARNING LABELS BE APPLIED TO THE CABLE ASSEMBLY AND/OR IN CLOSE PROXIMITY OF THE MATED CONNECTOR APPLICATION IN A MANNER THAT PROVIDES SUITABLE WARNING TO THE END USER AND MEETS APPLICABLE LAWS. IT IS THE RESPONSIBILITY OF THE OEM OR MANUFACTURER OF THE PRODUCT IN WHICH THIS CONNECTOR SYSTEM IS USED TO APPLY THE APPROPRIATE HIGH VOLTAGE WARNING LABEL(S) TO THE FINAL PRODUCT. TO THE EXTENT MOLEX IS NOT RESPONSIBLE FOR THE FINAL CABLE ASSEMBLY, MOLEX DISCLAIMS ALL WARRANTIES AND LIABILITY THAT RESULT FROM A FAILURE TO PROVIDE AN APPROPRIATE WARNING.

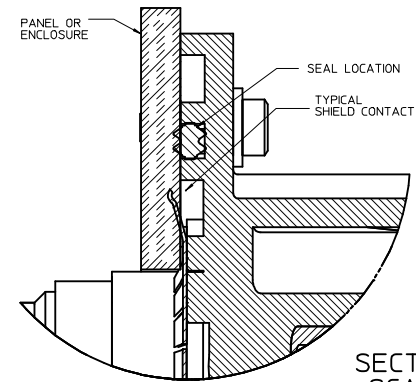
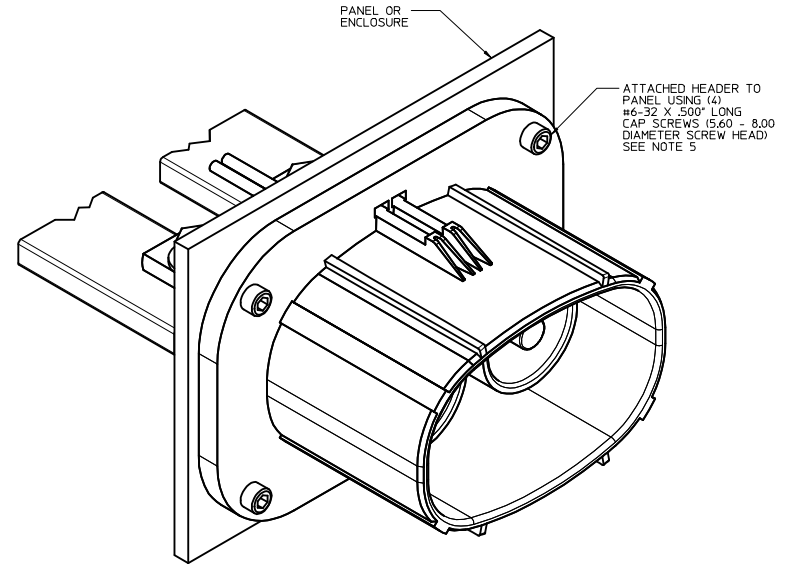
REVISED PIN LOCATION EC NO: UCP2017-1062 DRAWN BY: MDATA CHKD: APPR: APATEL DESCRIPTION: 2016/10/21	QUALITY SYMBOLS	GENERAL TOLERANCES (UNLESS SPECIFIED)	DIMENSION STYLE	SCALE	DESIGN UNITS	THIRD ANGLE PROJECTION
	▽=0	mm INCH	MM ONLY	1:1	METRIC	☉
	▽=0	4 PLACES ± --- ± ---	DRAWN BY DATE	TITLE		
	▽=0	3 PLACES ± --- ± ---	CHECKED BY DATE	HEADER ASSY PANEL MOUNT IMPERIUM		
	2 PLACES ± 0.60 ± ---	1 PLACE ± 0.90 ± ---	APATEL DATE	MATERIAL NO.		
	ANGULAR ±1/2°		2012/04/11	MOLEX INCORPORATED		
DRAFT WHERE APPLICABLE MUST REMAIN WITHIN DIMENSIONS			SEE CHART	DOCUMENT NO.	SHEET NO.	
			SIZE D	SD-171467-1000		1 OF 2
THIS DRAWING CONTAINS INFORMATION THAT IS PROPRIETARY TO MOLEX INCORPORATED AND SHOULD NOT BE USED WITHOUT WRITTEN PERMISSION						



PANEL REQUIREMENTS
SCALE 2:1



RECOMMENDED BUS BAR DETAIL

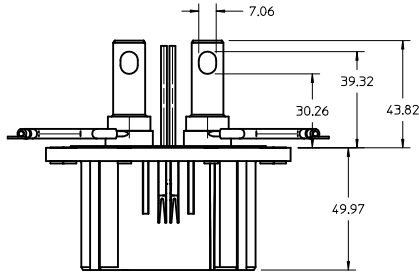
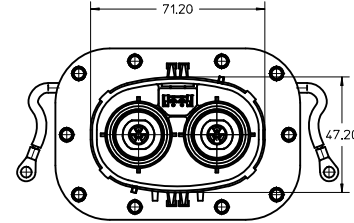
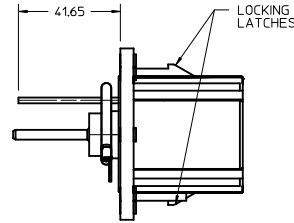
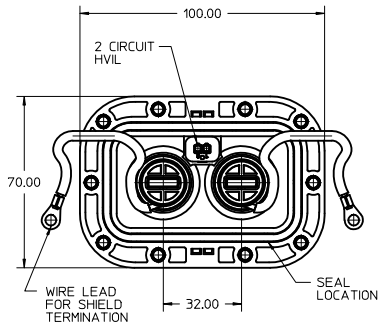
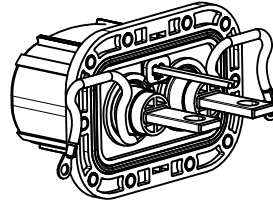
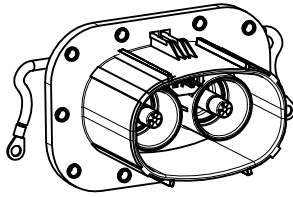


SECTION Z-Z
SCALE 4:1

SEE SHEET 1 IEC NO: UCP2017-1062 DRAWN BY: CHYD APPR: APATEL DATE: 2016/12/21	QUALITY SYMBOLS	GENERAL TOLERANCES (UNLESS SPECIFIED)	DIMENSION STYLE	SCALE	DESIGN UNITS	THIRD ANGLE PROJECTION
	▽=0	mm INCH	MM ONLY	1:1	METRIC	☉
	▽=0	4 PLACES ± --- ± ---	DRAWN BY: MDATA	DATE: 2011/12/08	TITLE: HEADER ASSY PANEL MOUNT IMPERIUM	MOLEX INCORPORATED
	▽=0	3 PLACES ± --- ± ---	CHECKED BY: MDATA	DATE: 2011/12/21	DOCUMENT NO: SD-171467-1000	
▽=0	2 PLACES ± 0.60 ± ---	APPROVED BY: APATEL	DATE: 2012/04/11	SIZE: SEE CHART	THIS DRAWING CONTAINS INFORMATION THAT IS PROPRIETARY TO MOLEX INCORPORATED AND SHOULD NOT BE USED WITHOUT WRITTEN PERMISSION	
	1 PLACE ± 0.90 ± ---					
	ANGULAR ± 1/2°					

PART NUMBER

171467-1100



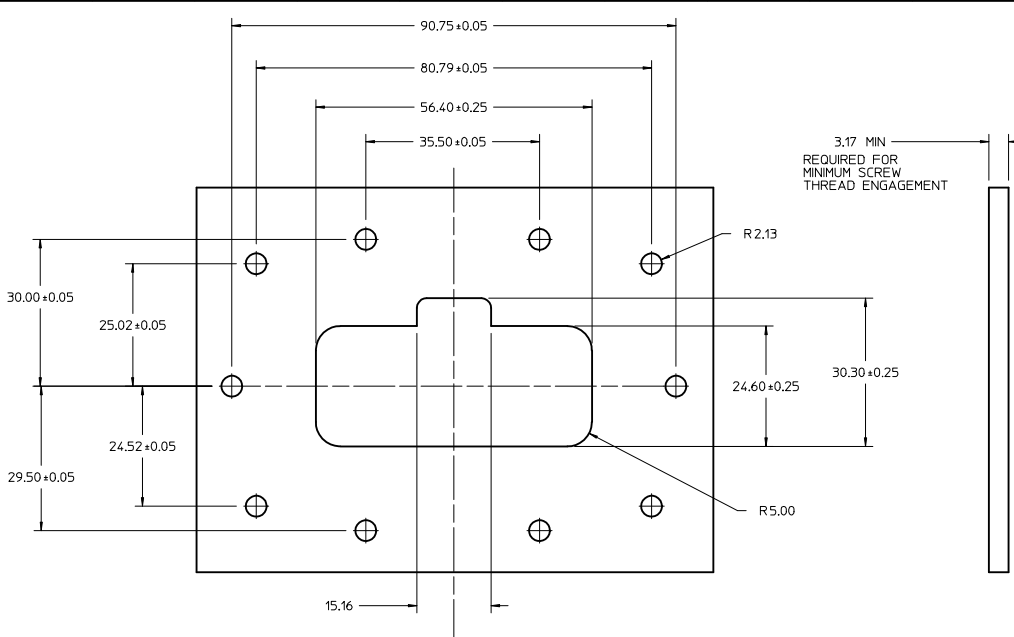
NOTES:

1. MATERIAL:
 MAIN HOUSING: POLYESTER 92V-0 (OPTIONAL UV STABILIZED)
 COLOR: ORANGE
 POWER TERMINALS: COPPER
 HVIL TERMINALS: COPPER ALLOY
2. FINISH:
 POWER TERMINALS: SILVER OVER NICKEL PLATING
 HVIL TERMINALS: TIN OVER NICKEL PLATING
3. WIRE FOR HVIL TERMINALS: 18 GAGE XL AUTOMOTIVE GRADE STRANDED WIRE
4. MATES WITH HARNESS ASSEMBLY 171466-1*** SERIES CABLES
5. ATTACH HEADER WITH SCREWS TO PANEL WITH *** IN-LBS OF TORQUE
6. PRODUCT SPECIFICATION: PS-171466-xxx
7. APPLICATION SPECIFICATION: AS-171466-xxx
8. PACKAGING SPECIFICATION: PK-171467-xxx
9. ATTACH HEADER TERMINAL WITH BOLT TO BUSS BAR WITH ** IN LBS OF TORQUE
10. BUSS BAR AND MOUNTING HARDWARE TO BE OVERALL TIN PLATED.

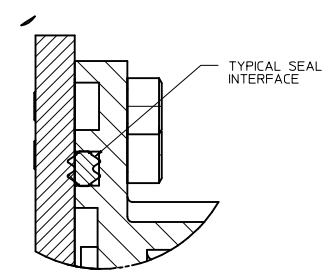
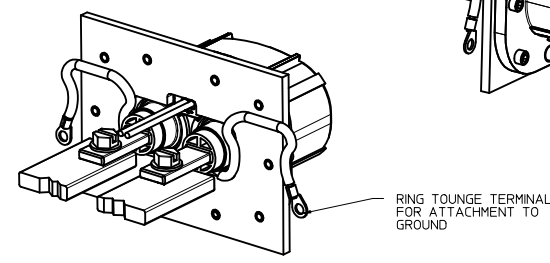
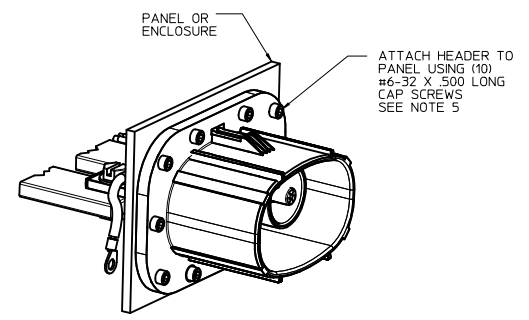
HEADER CONNECTOR WITH WIRE LEAD

PRELIMINARY

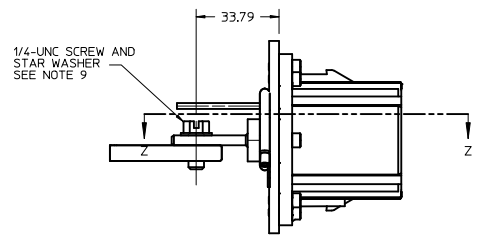
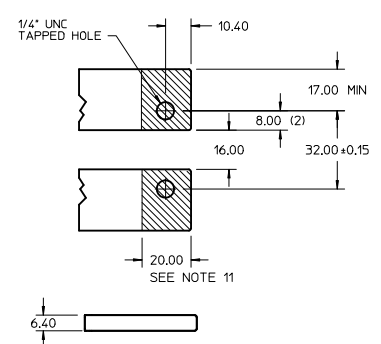
PRELIMINARY EC NO: UCP2012-3454 DRAWN/DATE: CHYD/2012/04/19 APPR: APATEL/2012/04/27	QUALITY SYMBOLS ∇=0 ∇=0 ∇=0	GENERAL TOLERANCES (UNLESS SPECIFIED) mm INCH 4 PLACES ±.000 ±.000 3 PLACES ±.013 ±.005 2 PLACES ±.025 ±.010 1 PLACE ±.050 ±.020 0 PLACE ±.127 ±.050 ANGULAR ±1/2° DRAFT WHERE APPLICABLE MUST REMAIN WITHIN DIMENSIONS	DIMENSION STYLE MM ONLY SCALE 1:1 DESIGN UNITS METRIC THIRD ANGLE PROJECTION	DRAWN BY DATE MDATA 2012/04/19 CHECKED BY DATE APPROVED BY DATE APATEL 2012/04/27	TITLE HEADER ASSY PANEL MOUNT IMPERIUM molex	MATERIAL NO. SEE CHART	DOCUMENT NO. SD-171467-1100	SHEET NO. 1 OF 2
	THIS DRAWING CONTAINS INFORMATION THAT IS PROPRIETARY TO MOLEX INCORPORATED AND SHOULD NOT BE USED WITHOUT WRITTEN PERMISSION							



PANEL REQUIREMENTS
SCALE 2:1



Partial1
SCALE 4:1



BUSS BAR ATTACHMENT

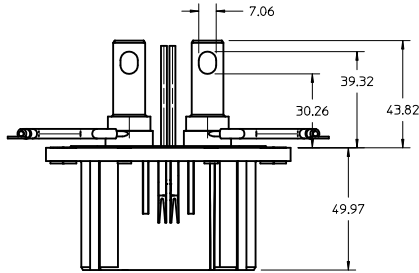
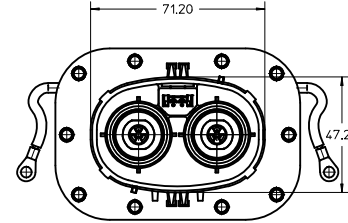
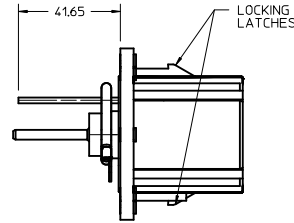
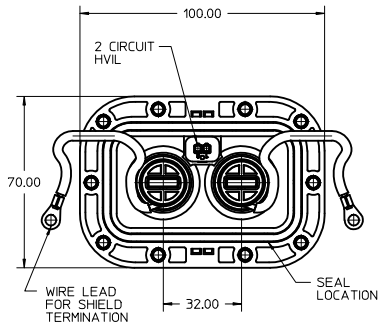
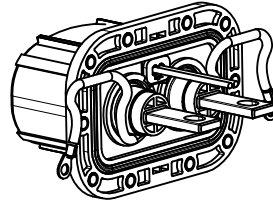
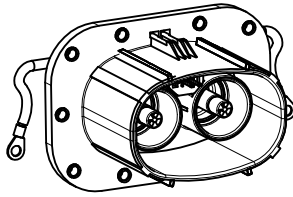
RECOMMENDED BUSS BAR DETAIL

HEADER CONNECTOR TO PANEL ATTACHMENT

SEE SHEET 1 EC NO: UCF2012-3454 DRAWN BY: MDATA CHYD: 2012/04/19 APPR: APATEL 2012/04/27	QUALITY SYMBOLS	GENERAL TOLERANCES (UNLESS SPECIFIED)	DIMENSION STYLE	SCALE	DESIGN UNITS	THIRD ANGLE PROJECTION
	∇=0 ∇=0 ∇=0	mm INCH 4 PLACES ±--- ±--- 3 PLACES ±--- ±--- 2 PLACES ±0.13 ±--- 1 PLACE ±0.25 ±--- 0 PLACE ±--- ±---	MM ONLY	1:1	METRIC	DRAWN BY: MDATA DATE: 2012/04/19 CHECKED BY: DATE APPROVED BY: APATEL DATE: 2012/04/27
ANGULAR ±1/2° DRAFT WHERE APPLICABLE MUST REMAIN WITHIN DIMENSIONS		SIZE D THIS DRAWING CONTAINS INFORMATION THAT IS PROPRIETARY TO MOLEX INCORPORATED AND SHOULD NOT BE USED WITHOUT WRITTEN PERMISSION		SHEET NO. 2 OF 2		

PART NUMBER

171467-1100



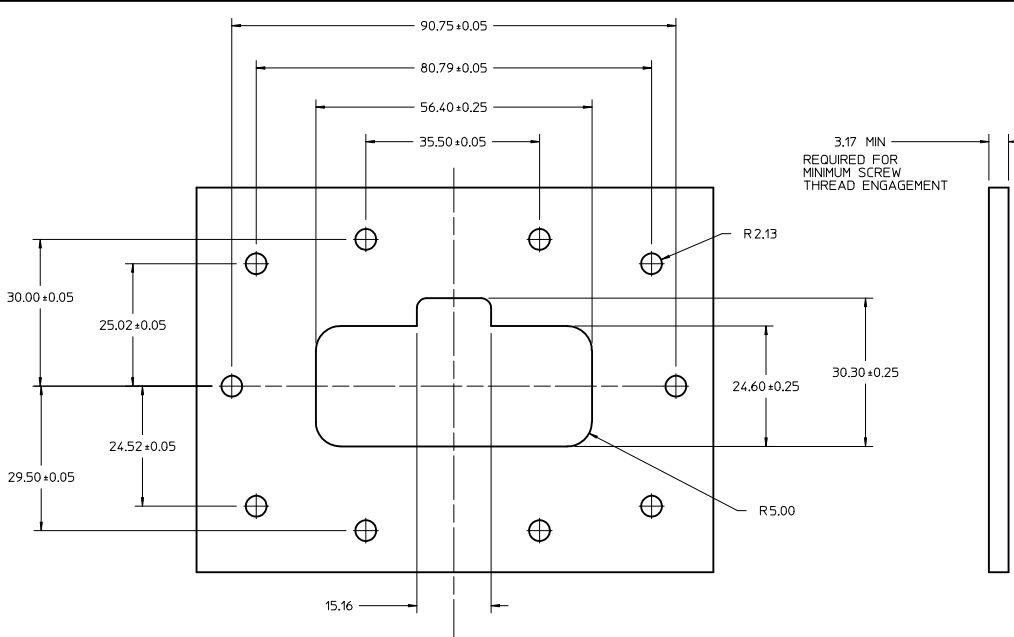
NOTES:

1. MATERIAL:
 MAIN HOUSING: POLYESTER 92V-0 (OPTIONAL UV STABILIZED)
 COLOR: ORANGE
 POWER TERMINALS: COPPER
 HVIL TERMINALS: COPPER ALLOY
2. FINISH:
 POWER TERMINALS: SILVER OVER NICKEL PLATING
 HVIL TERMINALS: TIN OVER NICKEL PLATING
3. WIRE FOR HVIL TERMINALS: 18 GAGE XL AUTOMOTIVE GRADE STRANDED WIRE
4. MATES WITH HARNESS ASSEMBLY 171466-1*** SERIES CABLES
5. ATTACH HEADER WITH SCREWS TO PANEL WITH *** IN-LBS OF TORQUE
6. PRODUCT SPECIFICATION: PS-171466-xxx
7. APPLICATION SPECIFICATION: AS-171466-xxx
8. PACKAGING SPECIFICATION: PK-171467-xxx
9. ATTACH HEADER TERMINAL WITH BOLT TO BUSS BAR WITH ** IN LBS OF TORQUE
10. BUS BAR AND MOUNTING HARDWARE TO BE OVERALL TIN PLATED.

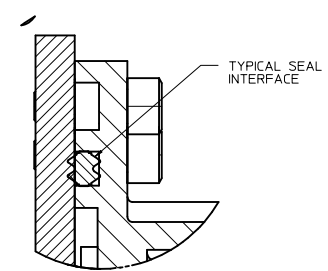
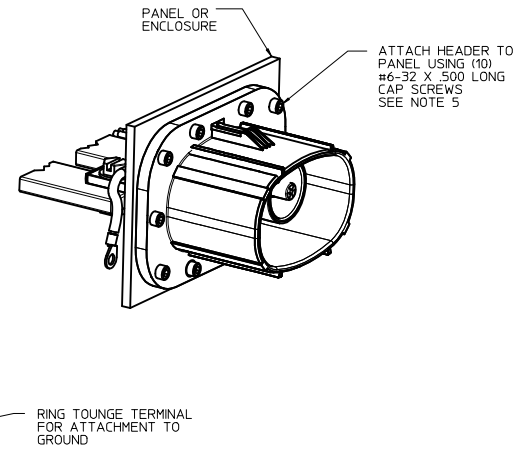
HEADER CONNECTOR WITH WIRE LEAD

PRELIMINARY

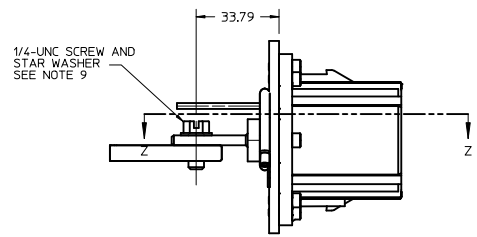
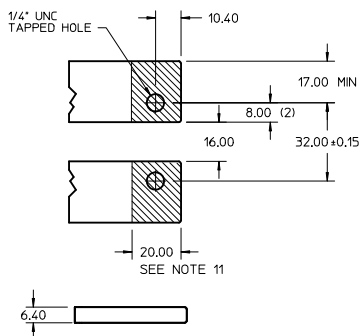
PRELIMINARY EC NO: UCP2012-3454 DRAWN/DATE: CHYD/2012/04/19 APPR: APATEL/2012/04/27	QUALITY SYMBOLS	GENERAL TOLERANCES (UNLESS SPECIFIED)	DIMENSION STYLE	SCALE	DESIGN UNITS	THIRD ANGLE PROJECTION	
	∇=0 ∇=0 ∇=0	4 PLACES ±0.13 3 PLACES ±0.25 2 PLACES ±0.25 1 PLACE ±0.25 0 PLACE ±0.25	mm INCH	MM ONLY	1:1	METRIC	THIRD ANGLE PROJECTION
	DRAWN BY: MDATA CHECKED BY: DATE: 2012/04/19 APPROVED BY: APATEL DATE: 2012/04/27	MATERIAL NO. SEE CHART	DOCUMENT NO. SD-171467-1100	TITLE HEADER ASSY PANEL MOUNT IMPERIUM molex			
	DRAFT WHERE APPLICABLE MUST REMAIN WITHIN DIMENSIONS	SIZE D	THIS DRAWING CONTAINS INFORMATION THAT IS PROPRIETARY TO MOLEX INCORPORATED AND SHOULD NOT BE USED WITHOUT WRITTEN PERMISSION				



PANEL REQUIREMENTS
SCALE 2:1



Partial1
SCALE 4:1



BUSS BAR ATTACHMENT

RECOMMENDED BUSS BAR DETAIL

HEADER CONNECTOR TO PANEL ATTACHMENT

SEE SHEET 1 IEC NO: UCP2012-3454 DRAWN/MDATA: 2012/04/19 CHKD: MDATA APPR: APATEL 2012/04/17	QUALITY SYMBOLS	GENERAL TOLERANCES (UNLESS SPECIFIED)	DIMENSION STYLE	SCALE	DESIGN UNITS	THIRD ANGLE PROJECTION
	∇=0 ∇=0 ∇=0	mm INCH 4 PLACES ±--- ±--- 3 PLACES ±--- ±--- 2 PLACES ±0.13 ±--- 1 PLACE ±0.25 ±--- 0 PLACE ±--- ±---	MM ONLY DRAWN BY: MDATA DATE: 2012/04/19 CHECKED BY: MDATA DATE: 2012/04/19 APPROVED BY: APATEL DATE: 2012/04/17	1:1	METRIC	TITLE: HEADER ASSY PANEL MOUNT IMPERIUM molex DOCUMENT NO: SD-171467-1100 SHEET NO: 2 OF 2
DRAFT WHERE APPLICABLE MUST REMAIN WITHIN DIMENSIONS		MATERIAL NO: SEE CHART				