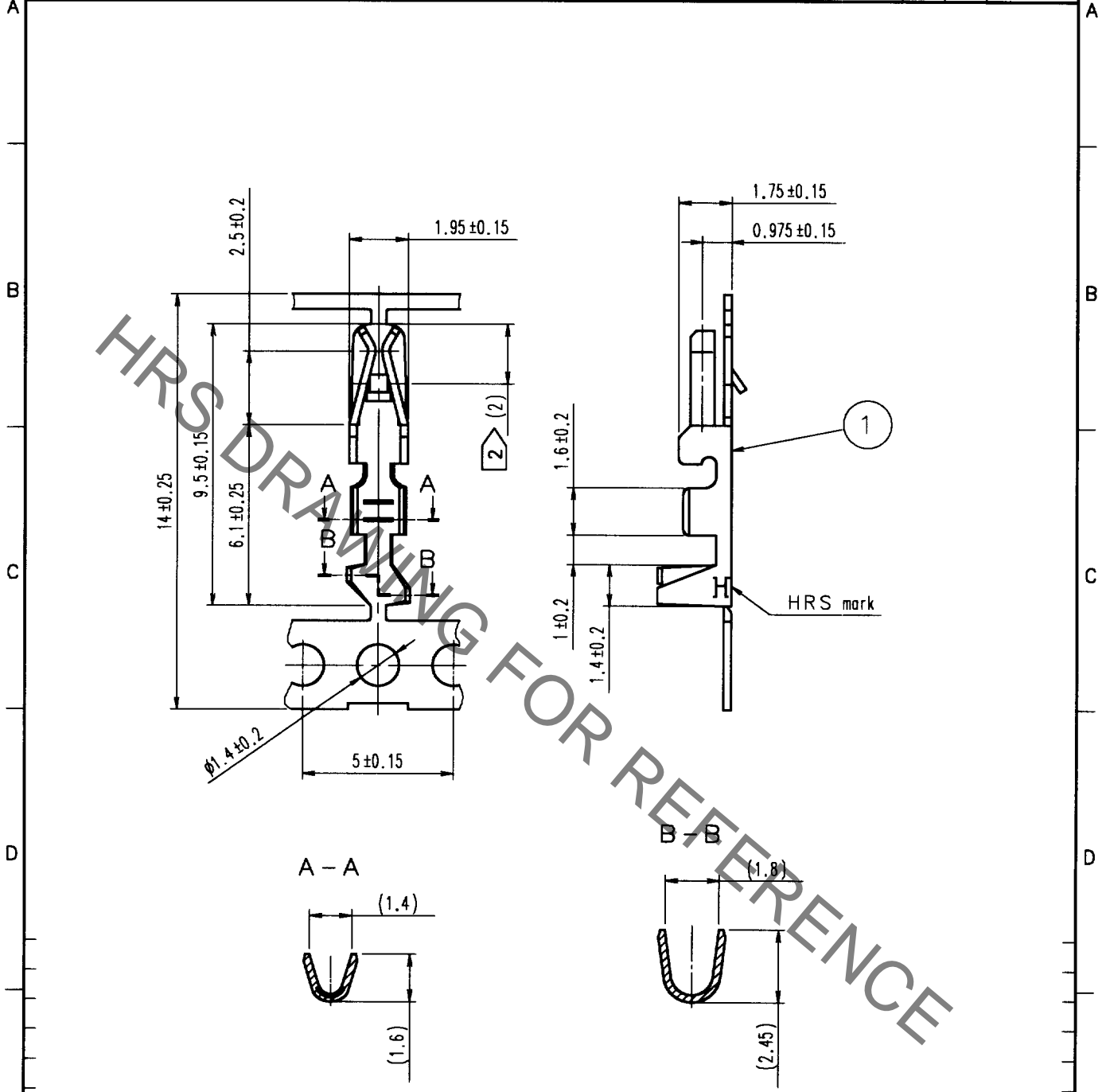


Nov.1.2022 Copyright 2022 HIROSE ELECTRIC CO., LTD. All Rights Reserved.
In case of consideration for using Automotive equipment / device which demand high reliability, kindly contact our sales window correspondents.

1		2			3			4		
COUNT	DESCRIPTION OF REVISIONS	BY	CHKD	DATE	COUNT	DESCRIPTION OF REVISIONS	BY	CHKD	DATE	
△					△					
△					△					
△					△					



NOTES 1. APPLICABLE CABLE : AWG24 TO 28
2. GOLD PLATE AREA

NO.	MATERIAL	FINISH, REMARKS
1	PHOSPHOR BRONZE	CONTACT: GOLD PLATING 0.2 μm OTHER: NICKEL PLATING 1μm

CODE NO. (OLD)	DRAWN	DESIGNED	CHECKED	APPROVED	RELEASED
	Y. INOUE	Y. Inoue	T. Miyazaki	K. Katayama	
	00.09.18	'00.9.18	'00.9.18	'00.9.18	

SACLE 5 : 1 UNITS mm	DRAWING NO.	PART NO.	HIROSE ELECTRIC CO., LTD.
	EDC4-080532	DF1B-2428SCFA	
	CODE NO.		
	CL541-0680-3		

TO