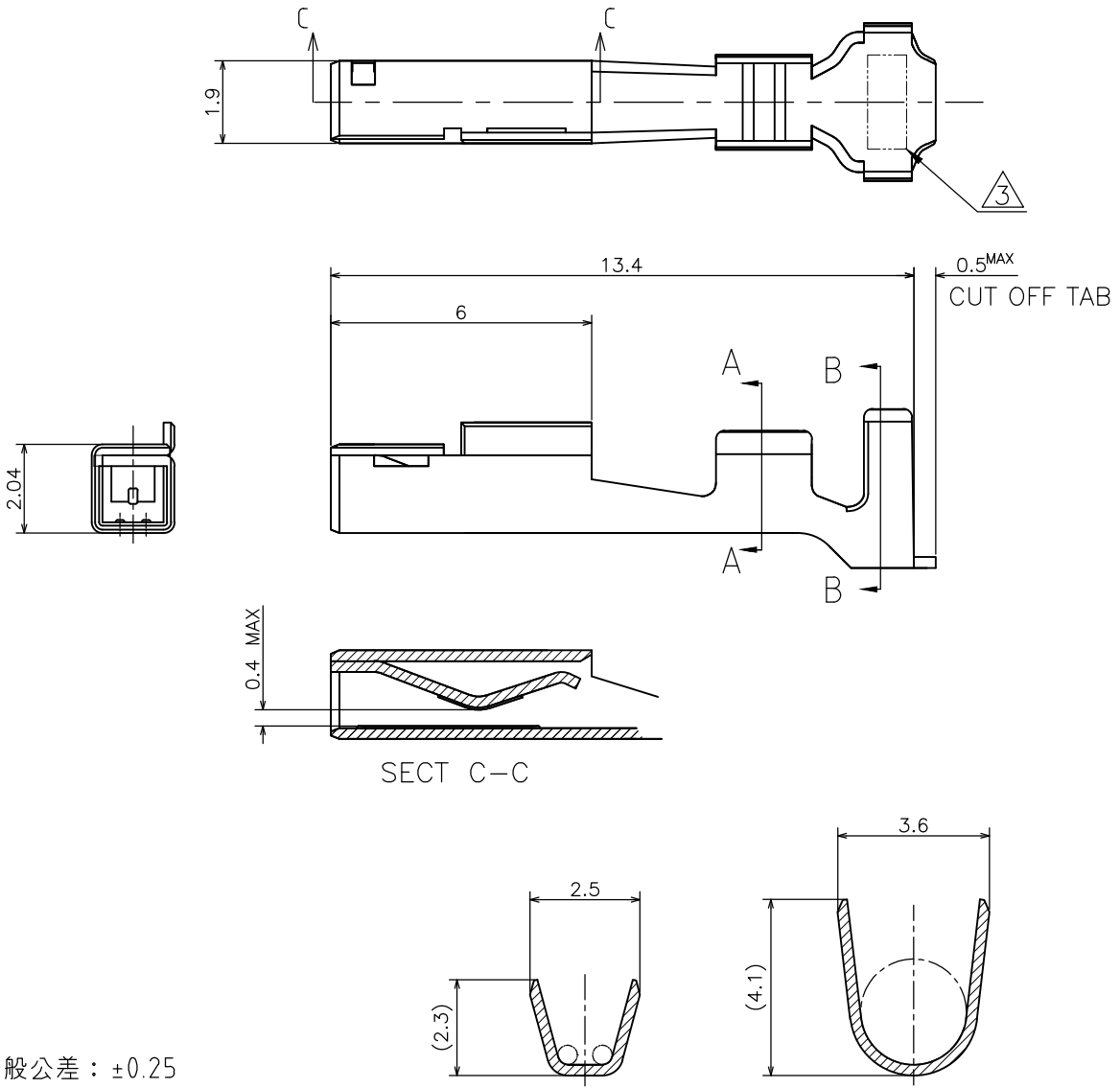


| REVISIONS | | | | | |
|-----------|-----|---------------------------|-----------|-----|------|
| P | LTR | DESCRIPTION | DATE | DWN | APVD |
| | A1 | REVISED PER ECR-20-100273 | 11AUG2020 | SC | D.Z |



注)
 1.一般公差：±0.25
 2.材料：錫めっき済 銅合金

NOTES)
 1.GENERAL TOLERANCE: ±0.25
 2.MATERIAL: PRE-TIN COPPER ALLOY
 3. TRADE MARK: AMP OR TE

THIS DRAWING IS UNPUBLISHED.

ALL RIGHTS RESERVED. © COPYRIGHT - TE Connectivity Ltd.

| | | | | | | | | | | |
|--|------------------|----------|------------|----------------------|------------------------------------|----------------|------------|-----|-----------------------------|---|
| DIMENSIONS: ??? ? mm | DWN | A.OISHI | 30 MAY.'02 | WIRE RANGE | 0.3-0.9mm ² (AWG#22-18) | INSULATION DIA | ø1.5-2.7mm | | | |
| | CHK | M.SHINDO | 30 MAY.'02 | MATERIAL | ?? | FINISH | ?? | | | |
| TOLERANCES UNLESS OTHERWISE SPECIFIED: ???? | APVD | M.SHINDO | 30 MAY.'02 | TE Connectivity Ltd. | | | | | | |
| | PRODUCT SPEC | 108-5810 | NAME | | | | | ?? | GRACE INERTIA CONNECTOR 3.5 | |
| 0 PLC ± - | APPLICATION SPEC | 114-5306 | SIZE | A4 | CAGE CODE | 00779 | DRAWING NO | ?? | RESTRICTED TO | - |
| 1 PLC ± - | WEIGHT | - | SCALE | ?? | 6:1 | SHEET | 1 OF 1 | REV | A1 | |
| 2 PLC ± - | CUSTOMER DRAWING | | | | | | | | | |
| 3 PLC ± - | | | | | | | | | | |
| 4 PLC ± - | | | | | | | | | | |
| ANGLES ± - | | | | | | | | | | |