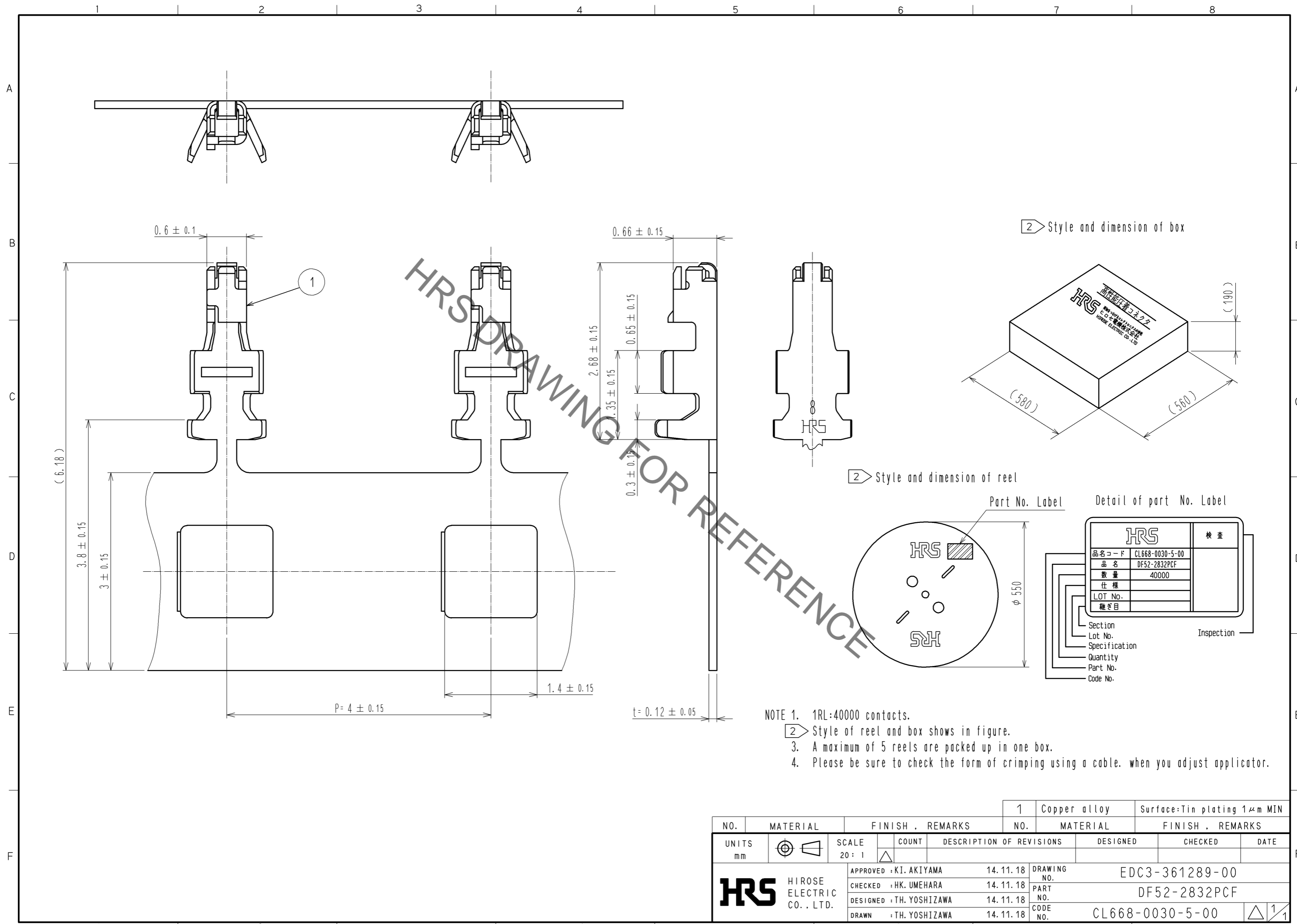


Dec.1.2022 Copyright 2022 HIROSE ELECTRIC CO., LTD. All Rights Reserved.
In case of consideration for using Automotive equipment / device which demand high reliability, kindly contact our sales window correspondents.



NO.	MATERIAL	FINISH . REMARKS	NO.	MATERIAL	FINISH . REMARKS
			1	Copper alloy	Surface:Tin plating 1μm MIN

UNITS	SCALE	COUNT	DESCRIPTION OF REVISIONS	DESIGNED	CHECKED	DATE
mm	20:1	△				

HRS HIROSE ELECTRIC CO., LTD.	APPROVED : KI. AKIYAMA 14.11.18	DRAWING NO. EDC3-361289-00
	CHECKED : HK. UMEHARA 14.11.18	PART NO. DF52-2832PCF
	DESIGNED : TH. YOSHIZAWA 14.11.18	CODE NO. CL668-0030-5-00
	DRAWN : TH. YOSHIZAWA 14.11.18	