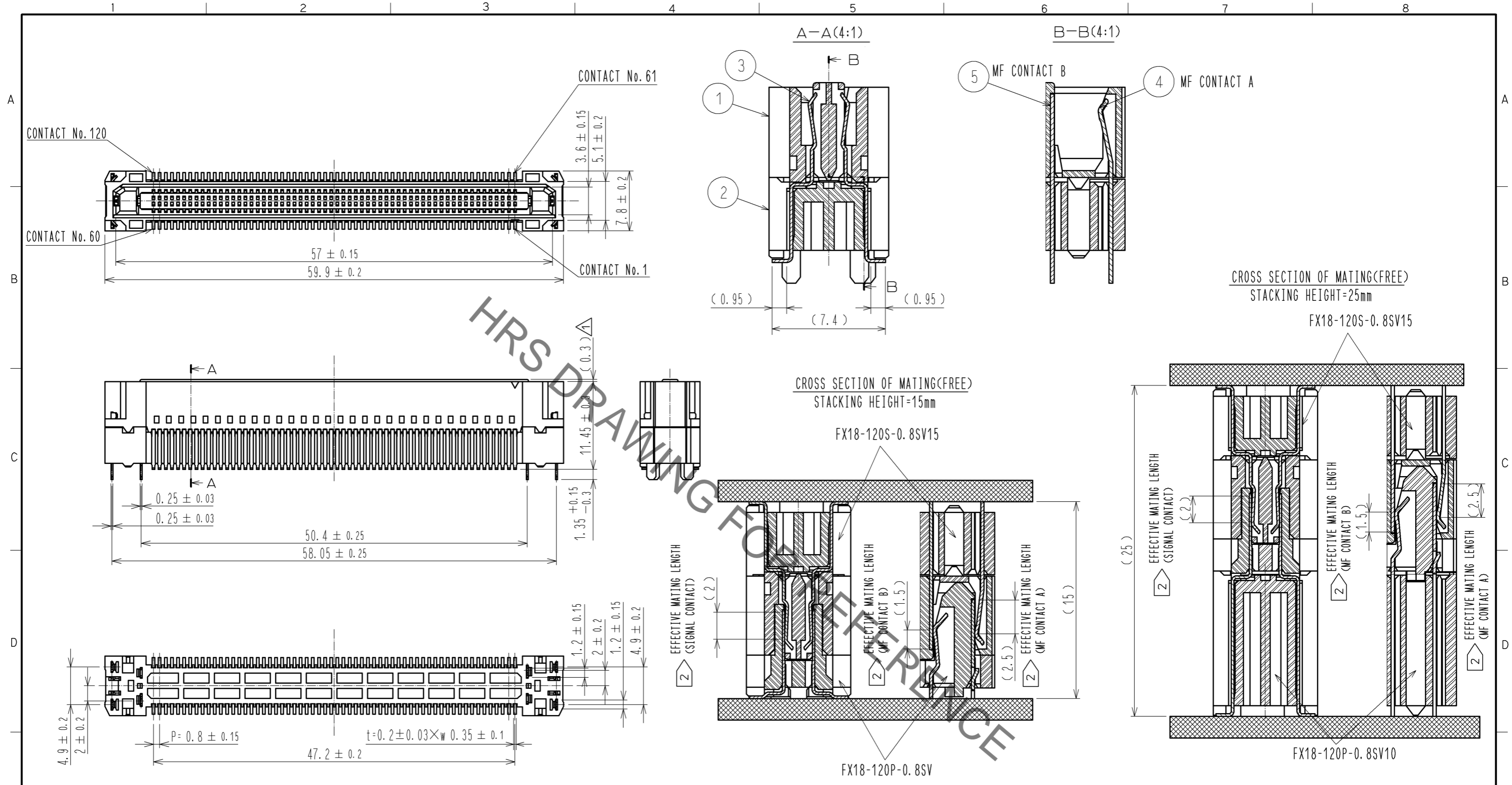


Dec.1.2022 Copyright 2022 HIROSE ELECTRIC CO., LTD. All Rights Reserved.
In case of consideration for using Automotive equipment / device which demand high reliability, kindly contact our sales window correspondents.



- NOTE 1 LEAD CO—PLANARITY IS 0.1mm MAX.
- ② CONTACTS ARE 3 STEPS SEQUENTIAL. (MF CONTACT A=>SIGNAL CONTACT=>MF CONTACT B)
WHEN USING THIS SEQUENTIAL STRUCTURE, PLEASE AVOID ANGLED INSERTION.
- ③ MF CONTACT A AND MF CONTACT B CAN BE USED AS POWER SUPPLY CONTACT. (3A/PIN MAX)
- ④ IT SHOWS THE VACUUM PICKUP AREA. (SEE PAGE 2)
REMOVE THE MYLAR TAPE BEFORE MATING CONNECTORS.
- ⑤ THIS IS PACKAGED IN TRAY. (40pcs/TRAY)
- ⑥ BLEMISH AND HIT MARK CAN BE OCCURED THROUGH OUT THE MANUFACTURING PROCESS WHICH DOESN' T AFFECT QUALITY LEVEL.
- ⑦ THE DIMENSIONS IN PARENTHESES ARE FOR REFERENCES.

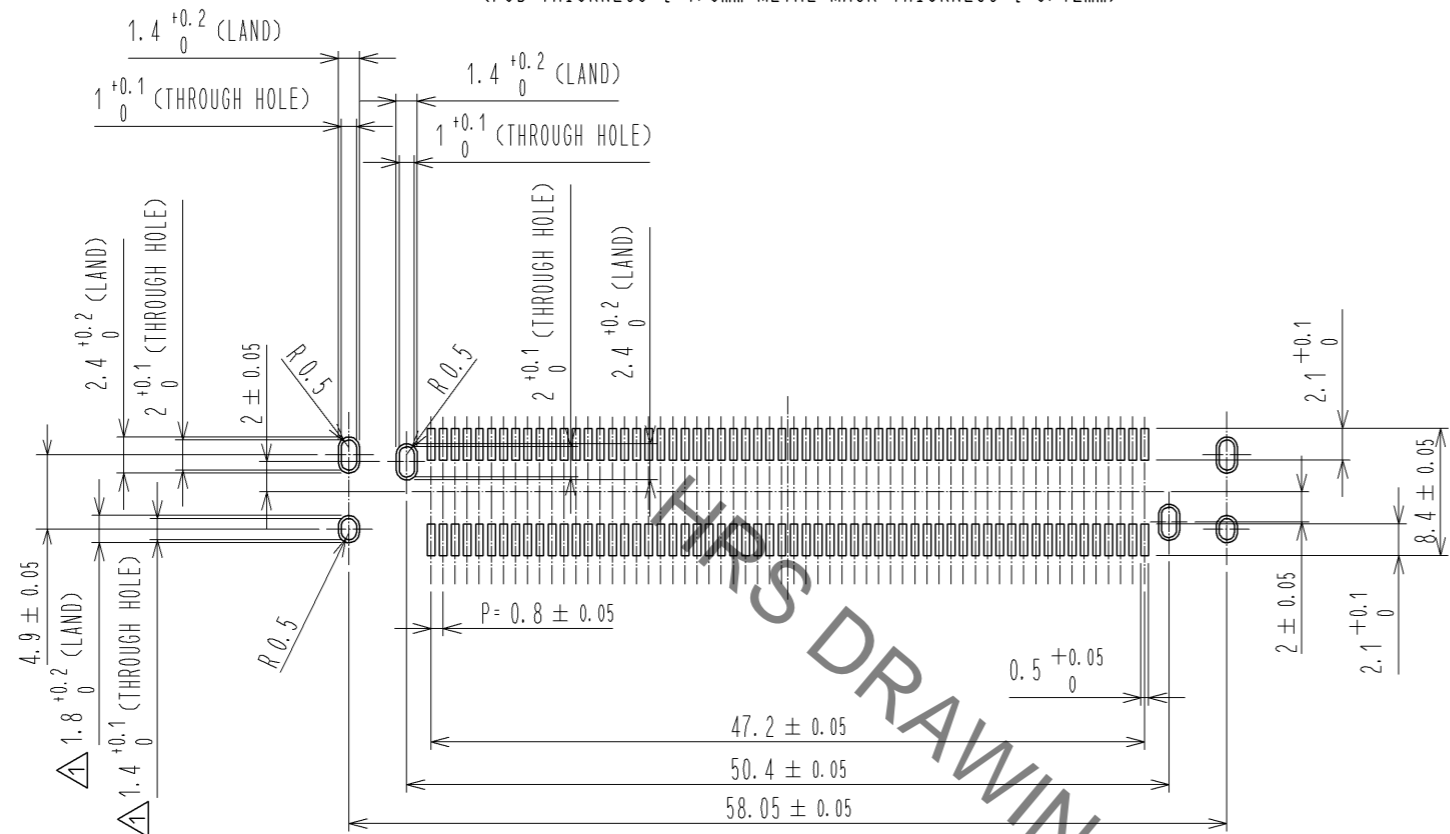
7	POLYIMIDE	
6	POLYSTYRENE	
5	COPPER ALLOY	CONTACT AREA:GOLD 0.1 μm
		LEAD AREA:TIN-PLATING 1 μm
		UNDER PLATING:NICKEL 1.3 μm
4	COPPER ALLOY	CONTACT AREA:GOLD 0.1 μm
		LEAD AREA:TIN-PLATING 1 μm
		UNDER PLATING:NICKEL 1.3 μm
3	PHOSPHOR BRONZE	CONTACT AREA:GOLD 0.1 μm LEAD AREA:GOLD 0.03 μm UNDER PLATING:NICKEL 1.3 μm
2	POLYAMIDE	BLACK UL94V-0
1	POLYAMIDE	BLACK UL94V-0

NO.	MATERIAL	FINISH	REMARKS	NO.	MATERIAL	FINISH	REMARKS
7	POLYIMIDE						
6	POLYSTYRENE						
5	COPPER ALLOY						
4	COPPER ALLOY						
3	PHOSPHOR BRONZE						
2	POLYAMIDE						
1	POLYAMIDE						

UNITS	mm	SCALE	2 : 1	COUNT	4	DESCRIPTION OF REVISIONS	DESIGNED	TH. SANO	CHECKED	KI. HIROKAWA	DATE	11.07.21
APPROVED : HS. OKAWA		11.03.17		DRAWING NO.		EDC3-334389-00						
CHECKED : KI. HIROKAWA		11.03.17		PART NO.		FX18-120S-0.8SV15						
DESIGNED : TH. SANO		11.03.17		CODE NO.		CL579-0029-1-00						
DRAWN : TH. SANO		11.03.17										

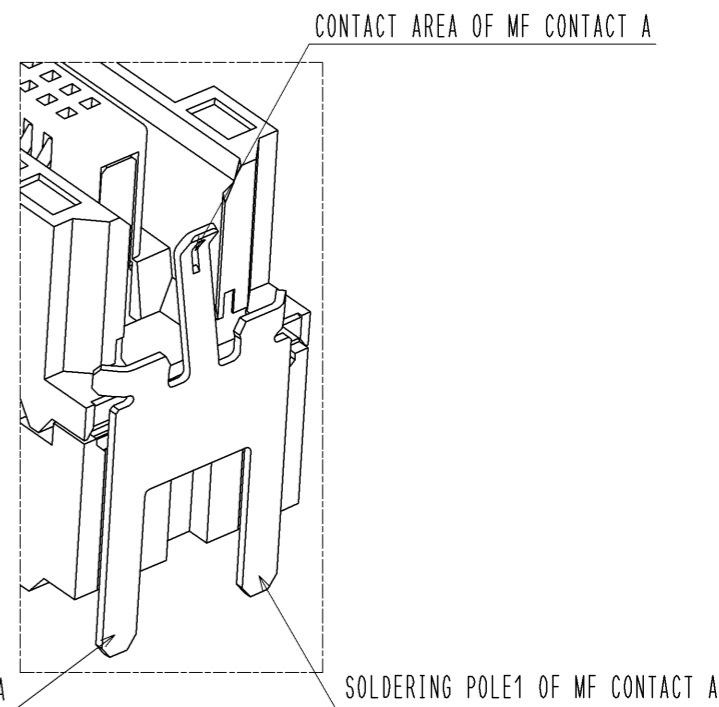
Dec.1.2022 Copyright 2022 HIROSE ELECTRIC CO., LTD. All Rights Reserved.
 In case of consideration for using Automotive equipment / device which demand high reliability, kindly contact our sales window correspondents.

RECOMMENDED LAND PATTERN DIMENSION OF PCB(2:1)
 (PCB THICKNESS:t=1.6mm METAL MASK THICKNESS:t=0.12mm)



5 DRAWING FOR PACKING(1:2)

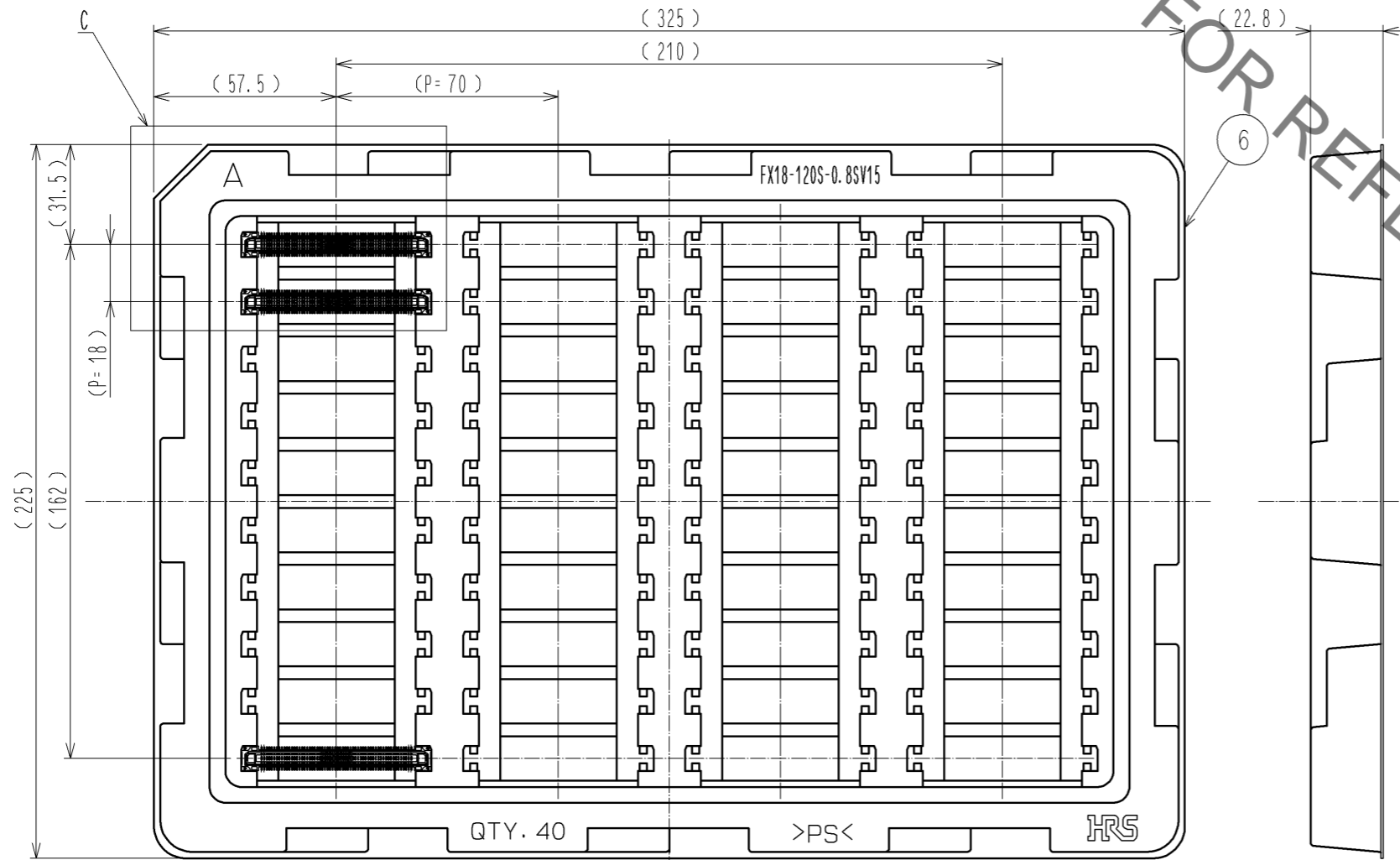
8 CONFIGURATION OF MF CONTACT A



SOLDERING POLE2 OF MF CONTACT A

SOLDERING POLE1 OF MF CONTACT A

NOTE 8 SOLDERING LEAD OF MF CONTACT A SPLITS INTO TWO POLES.
 BE SURE TO CONNECT TO THE SAME CIRCUIT.

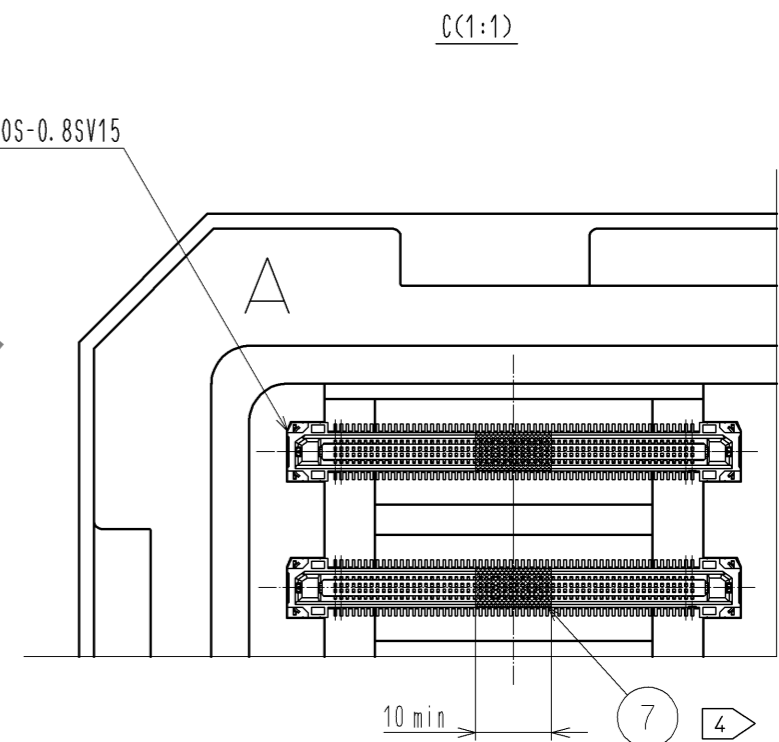


QTY. 40

>PS<

HRS

FX18-120S-0.8SV15



HRS

DRAWING NO.	EDC3-334389-00
PART NO.	FX18-120S-0.8SV15
CODE NO.	CL579-0029-1-00

2/2