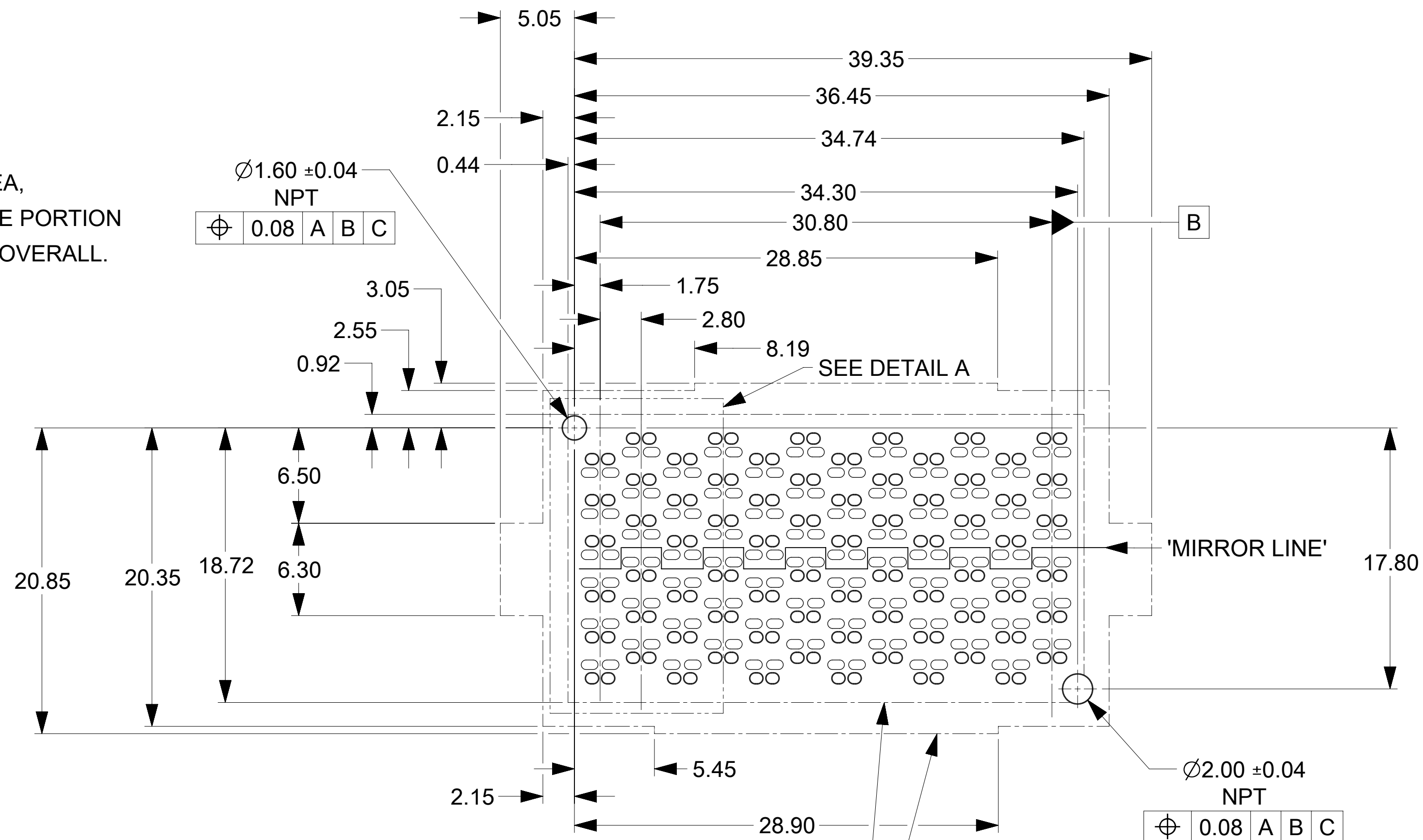
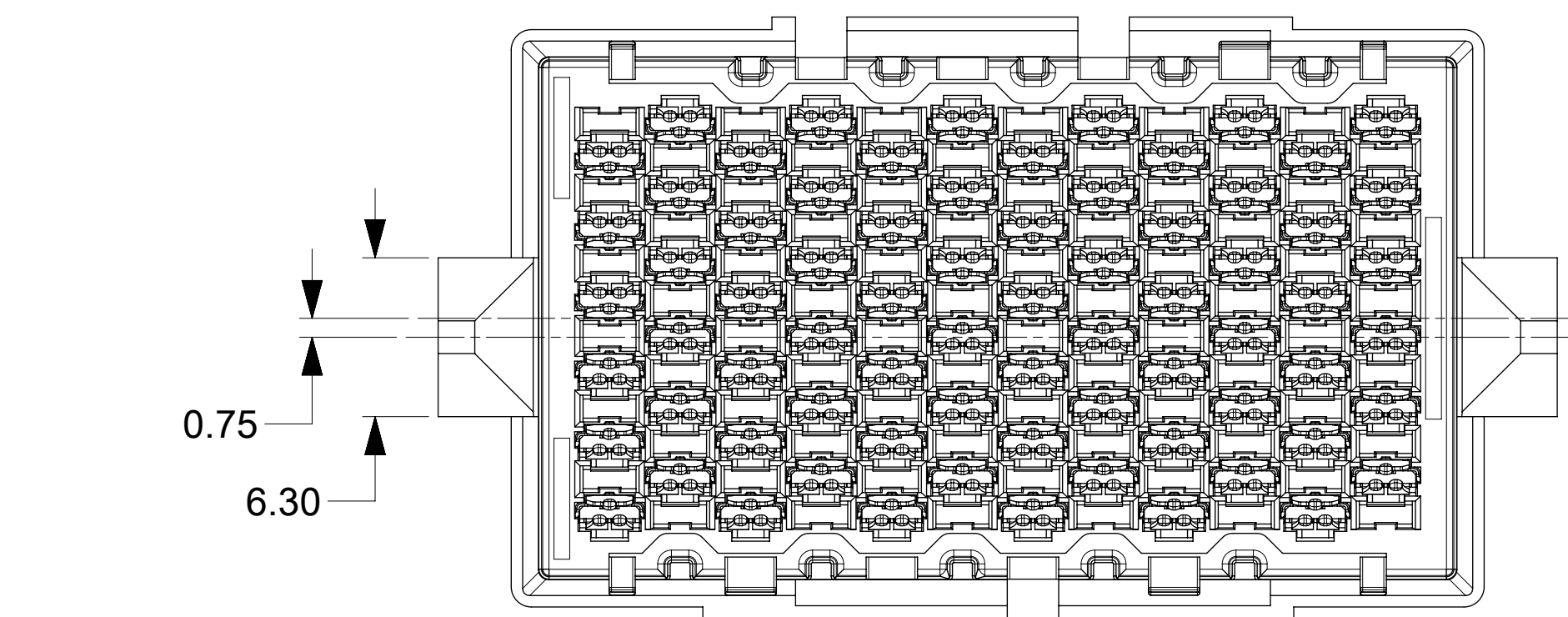
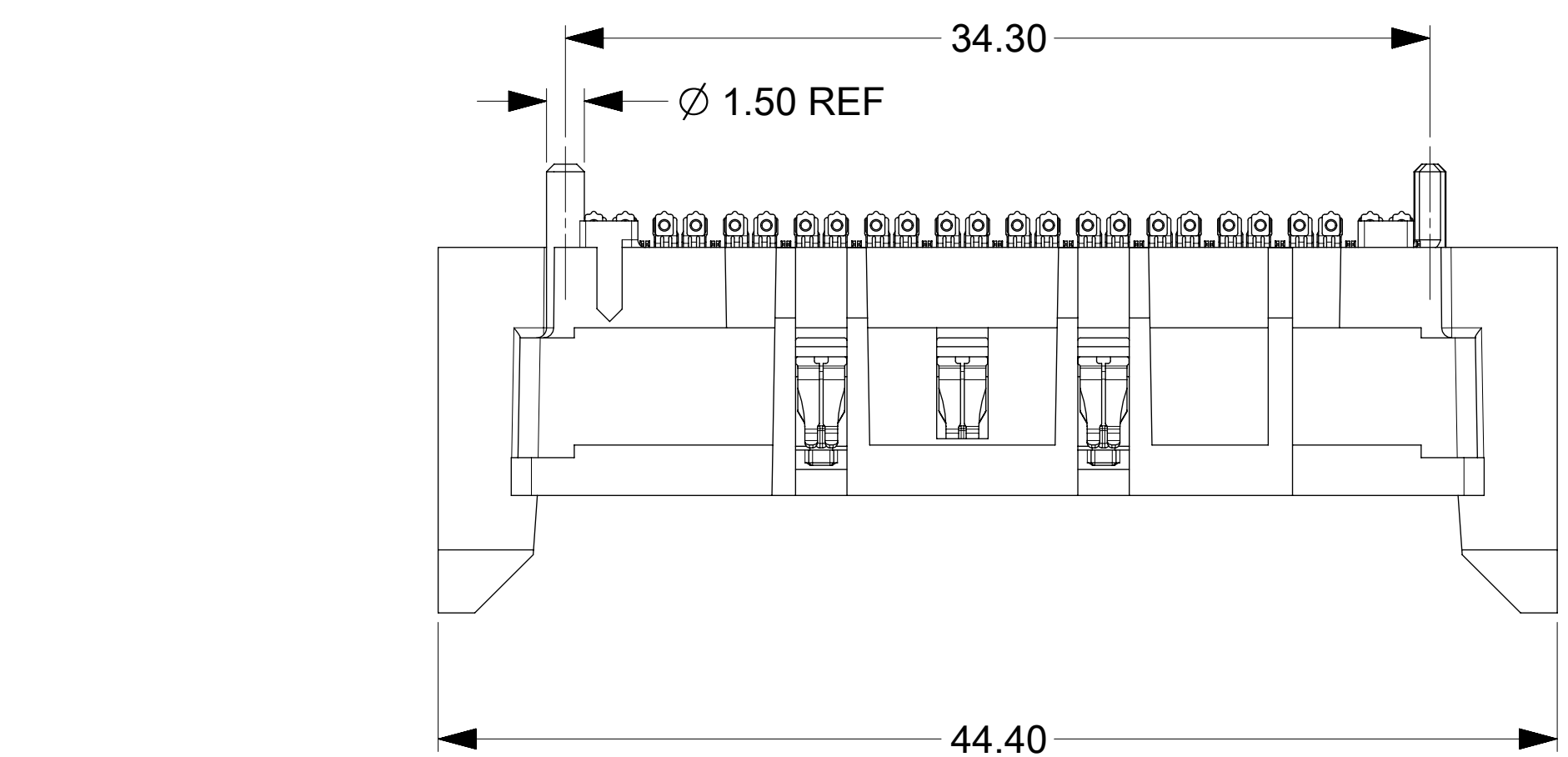
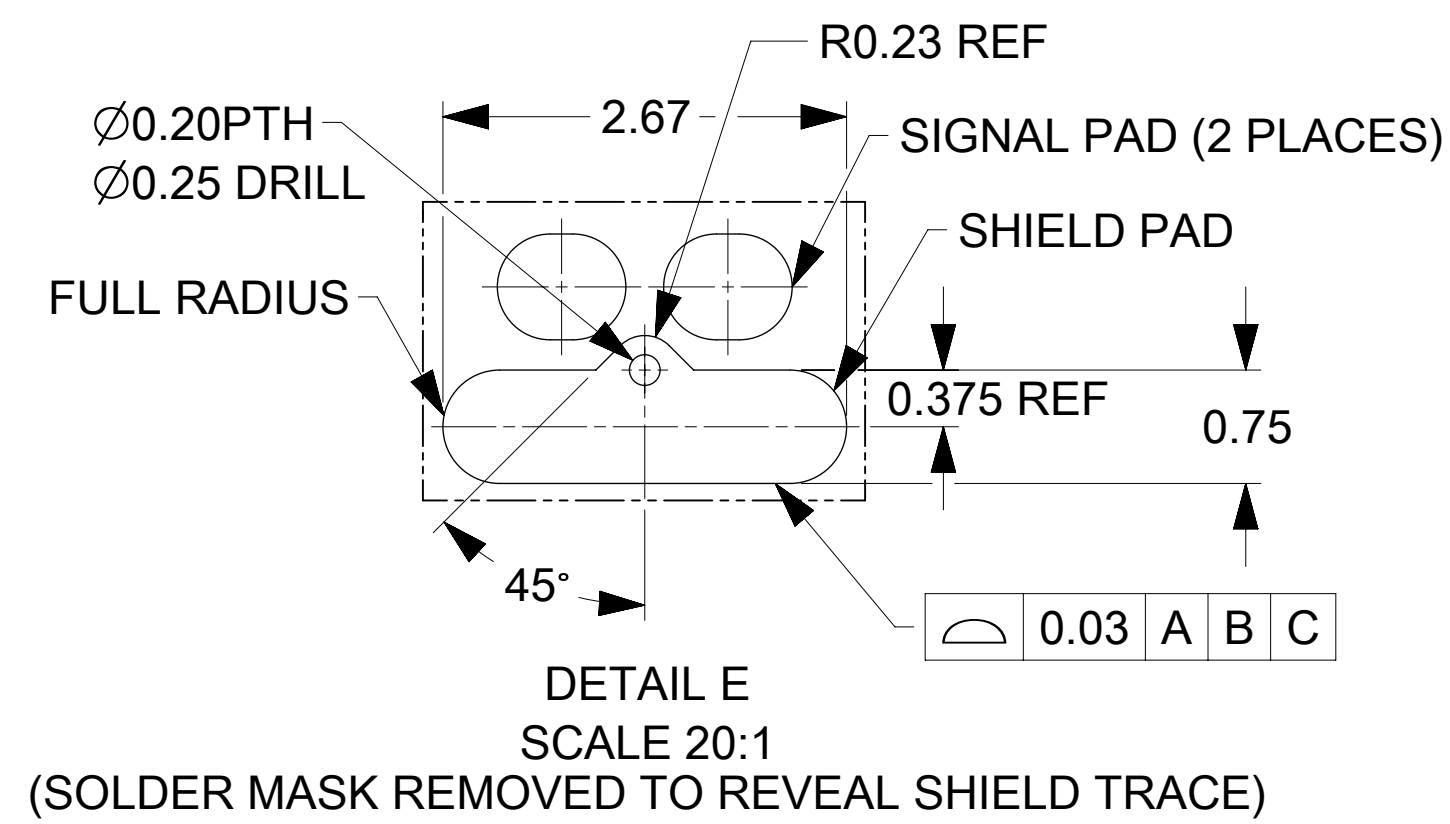


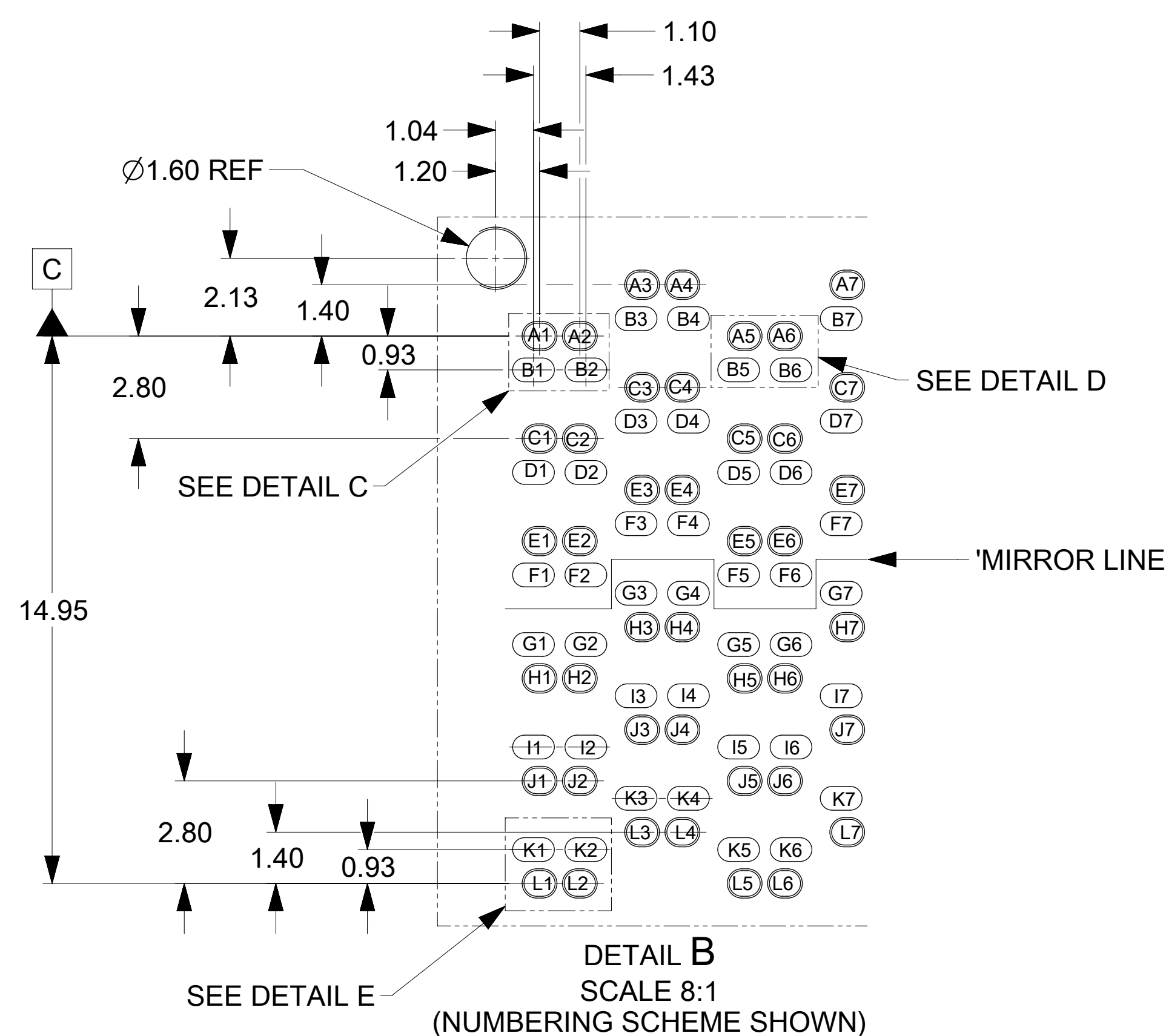
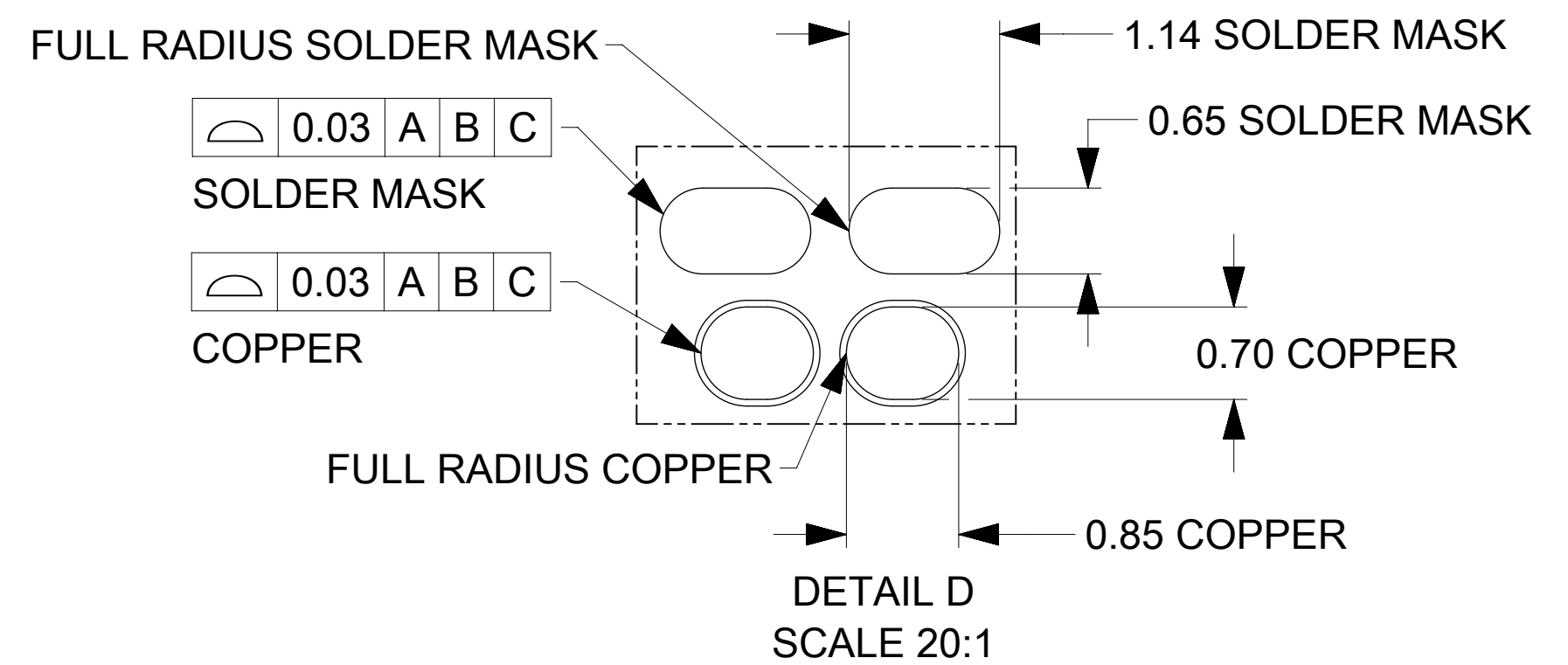
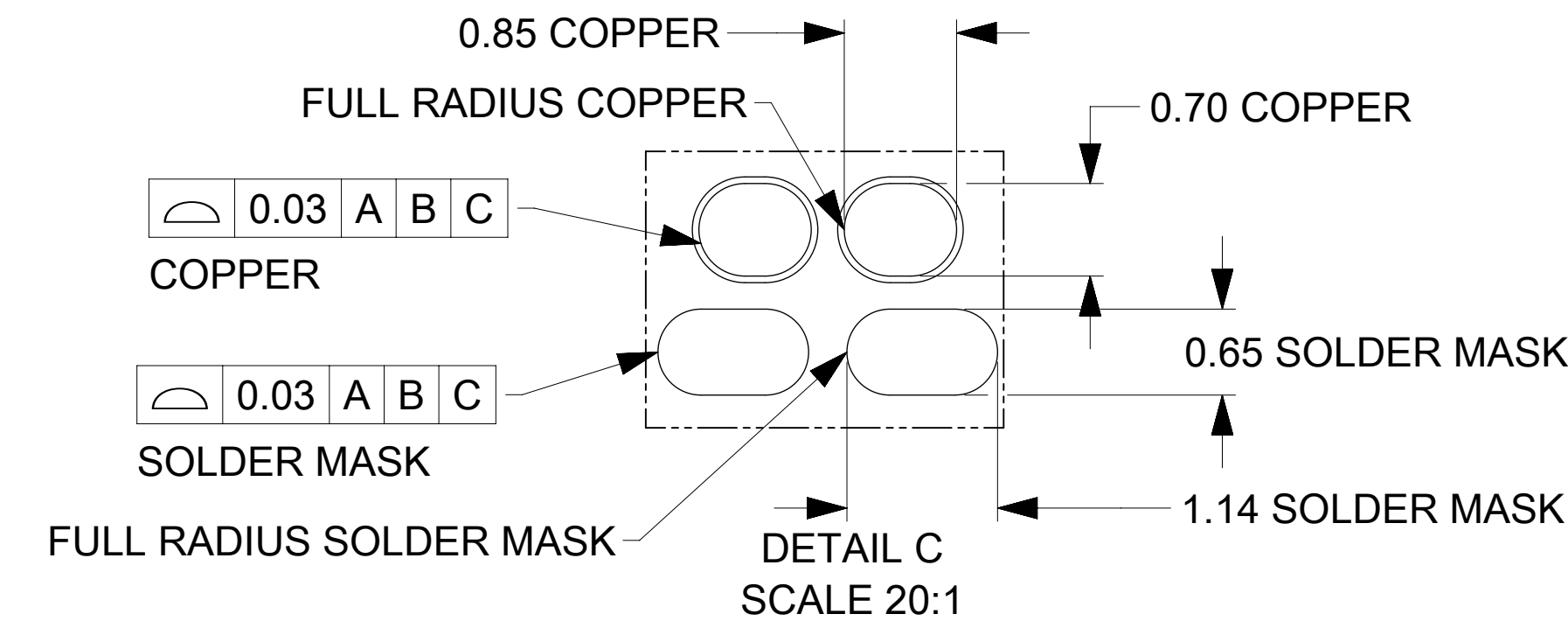
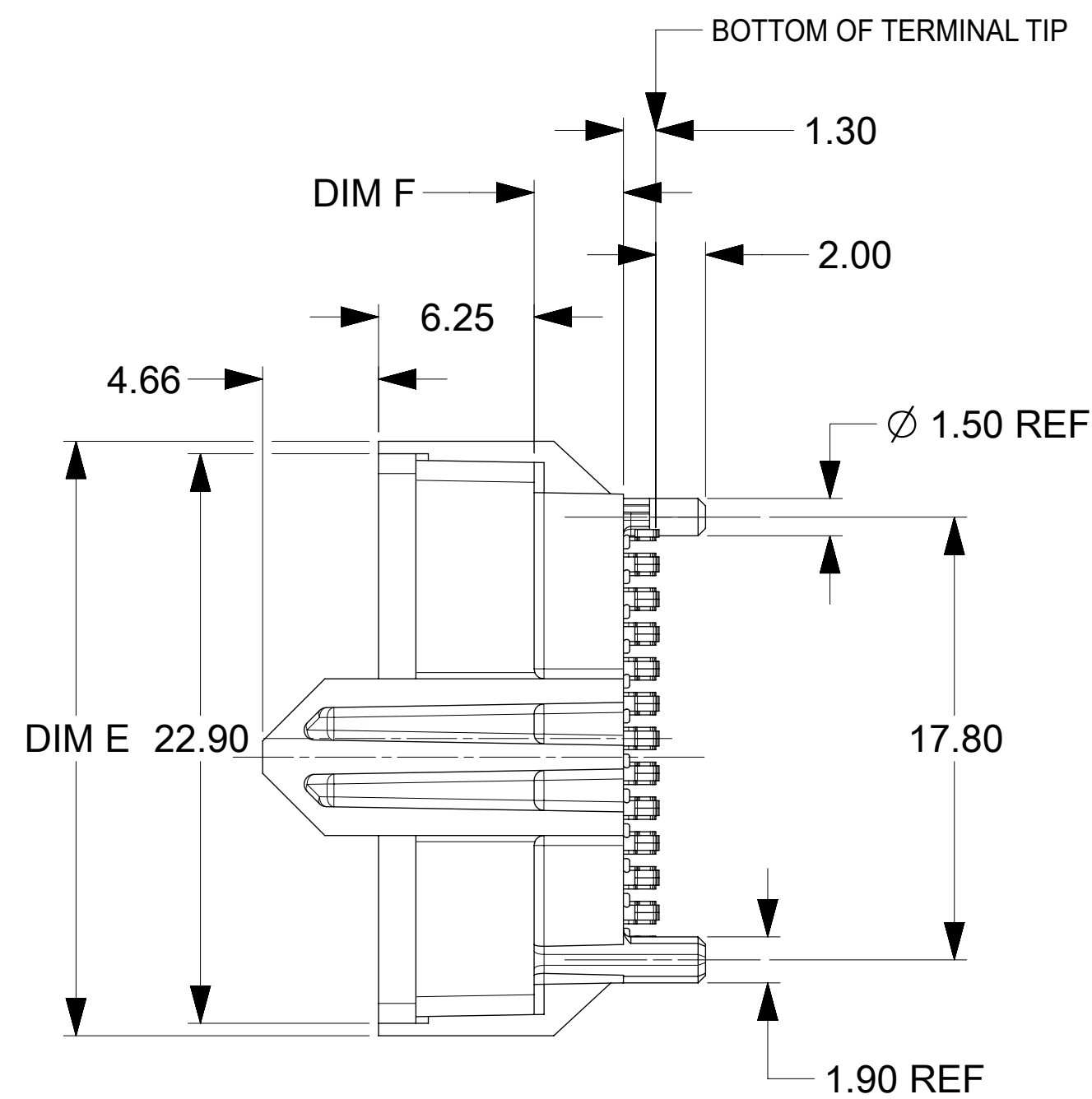
NOTES:

- HOUSING MATERIAL: LCP, GLASS FILLED, UL 94V-0, BLACK
CONTACT MATERIAL: HIGH PERFORMANCE COPPER ALLOY
SOLDER CHARGE: LEAD FREE SOLDER ALLOY
- FINISH:
CONTACTS: SELECT GOLD: 30 μINCHES MIN ON CONTACT AREA,
SELECTIVE TIN: 100 μINCHES MIN ON SOLDERABLE PORTION
OF SOLDER TAILS; OVER 50 μINCHES MIN NICKEL OVERALL.
- PRODUCT SPECIFICATION: PS-170807-0001
- PACKAGING SPECIFICATION: PK-170814-002
- APPLICATION SPECIFICATION: AS-170807-0001



FOOT PRINT NOTES:

- DATUM -A- IS THE TOP OF THE PCB.
- ALL DIMENSIONS ARE BASICS.
- SEE APPLICATION SPECIFICATION FOR ADDITIONAL INFORMATION.

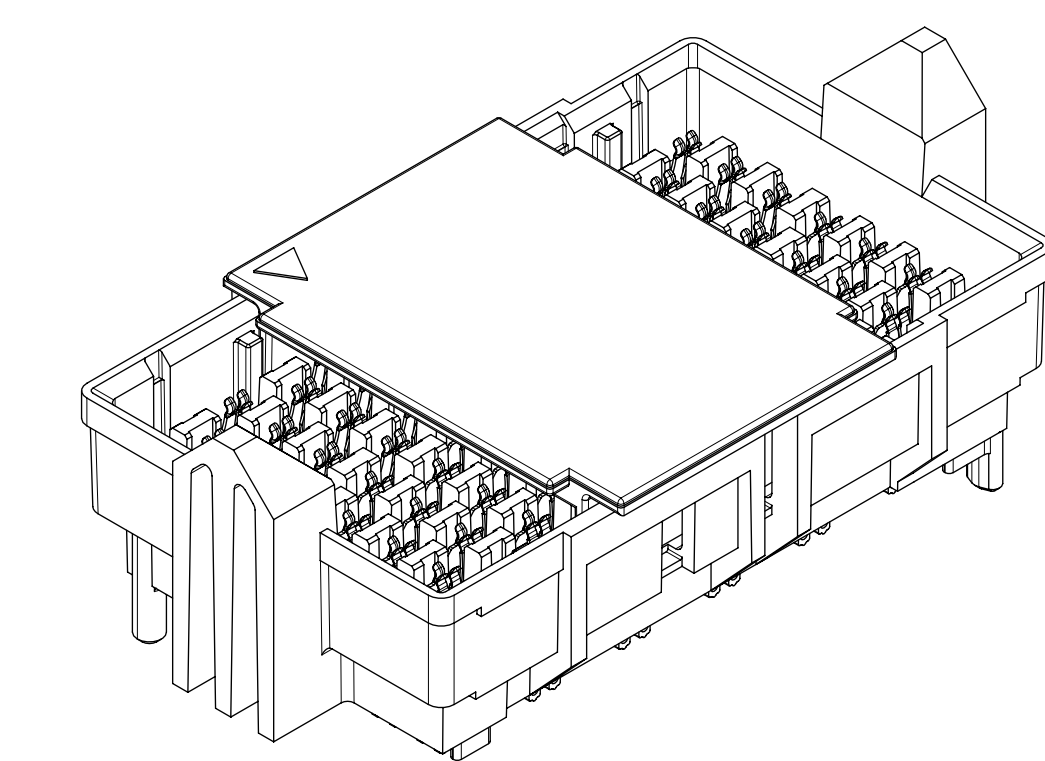


PART ILLUSTRATED IS 170814-2016

FUNCTIONAL SYMBOLS		THIS DRAWING CONTAINS INFORMATION THAT IS PROPRIETARY TO MOLEX ELECTRONIC TECHNOLOGIES, LLC AND SHOULD NOT BE USED WITHOUT WRITTEN PERMISSION		CURRENT REV DESC: REMASTERED TO NX.	
$F_A = 0$	mm	SCALE	NTS		
$F_C = 0$	GENERAL TOLERANCES (UNLESS SPECIFIED)				
$F_D = 0$	ANGULAR TOL $\pm 0.5^\circ$				
DIVISIONAL SYMBOLS	4 PLACES	\pm	EC NO: 667773	2021/06/22	
	3 PLACES	\pm	DRWN: JESSIECHUA	2021/07/15	
	2 PLACES	± 0.15	CHK'D: HCGOH	2021/07/19	
	1 PLACE	\pm	APPR: SHONG		
	0 PLACES	\pm	INITIAL REVISION:		
			DRWN: HCGOH	2013/12/30	
			APPR: SHONG	2014/01/27	
DRAFT WHERE APPLICABLE MUST REMAIN WITHIN DIMENSIONS		THIRD ANGLE PROJECTION	DRAWING	SERIES	MATERIAL NUMBER
			D-SIZE	170814	1708072032
				CUSTOMER	SHEET NUMBER
				GENERAL MARKET	1 OF 2

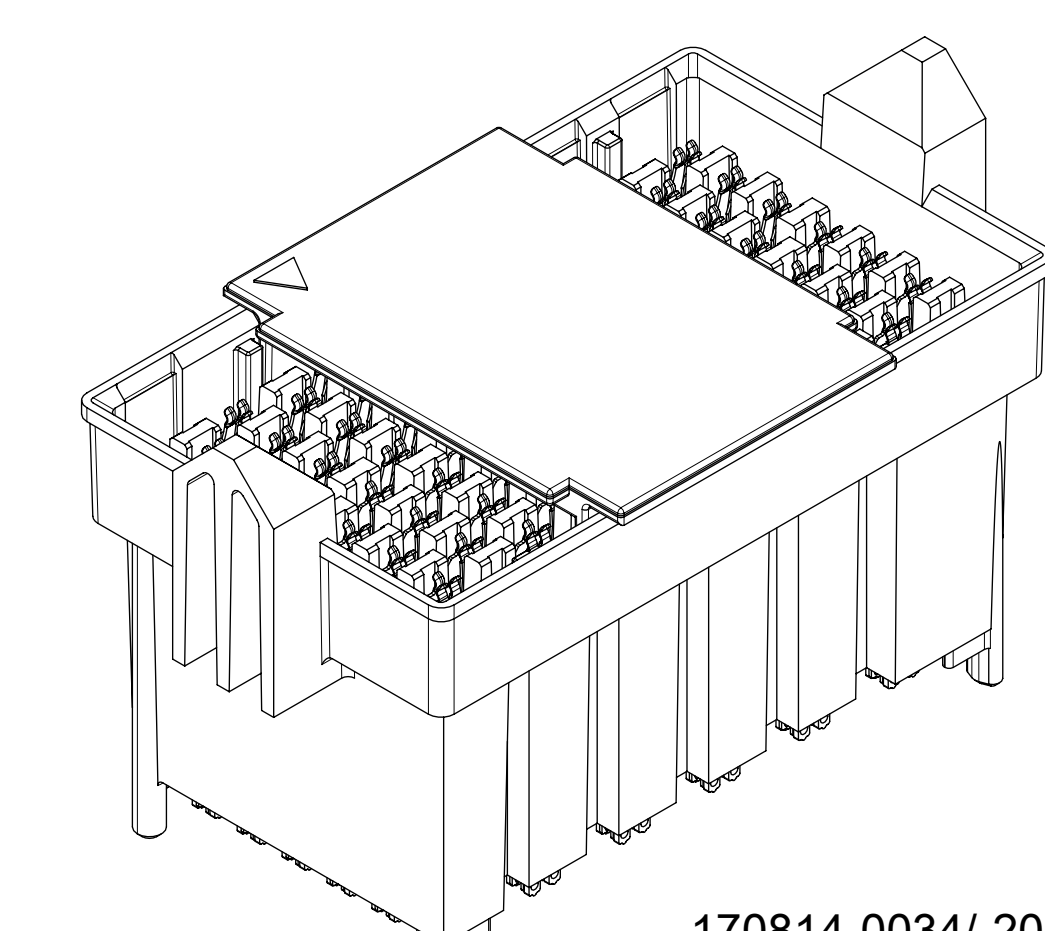
DOCUMENT STATUS	P1	RELEASE DATE	2021/07/19	00:44:13
-----------------	----	--------------	------------	----------

MATERIAL NUMBER	HEIGHT	TRIAD TYPE AND COUNT			DIM E	DIM F	DIM J	MATE WITH
		85 OHMS	100 OHMS	POWER				
1708142016	8.00MM	N/A	72 PLACES	N/A	23.90	3.59	11.89	1708072016 (22MM) & 1708072008 (12MM) & 1708072020 (8MM)
1708140034	18.00MM	72 PLACES	N/A	N/A	N/A	13.59	21.89	1708070034 (22MM)
1708142008	18.00MM	N/A	72 PLACES	N/A	N/A	13.59	21.89	1708072016 (22MM) & 1708072008 (12MM) & 1708072020 (8MM) 1708072027 (10MM)
1708142025	15.00MM	N/A	72 PLACES	N/A	N/A	10.59	18.89	1708072016 (22MM) & 1708072008 (12MM) & 1708072020 (8MM)
1708140049	8.00MM	72 PLACES	N/A	N/A	23.90	3.59	11.89	1708070046 (12MM)



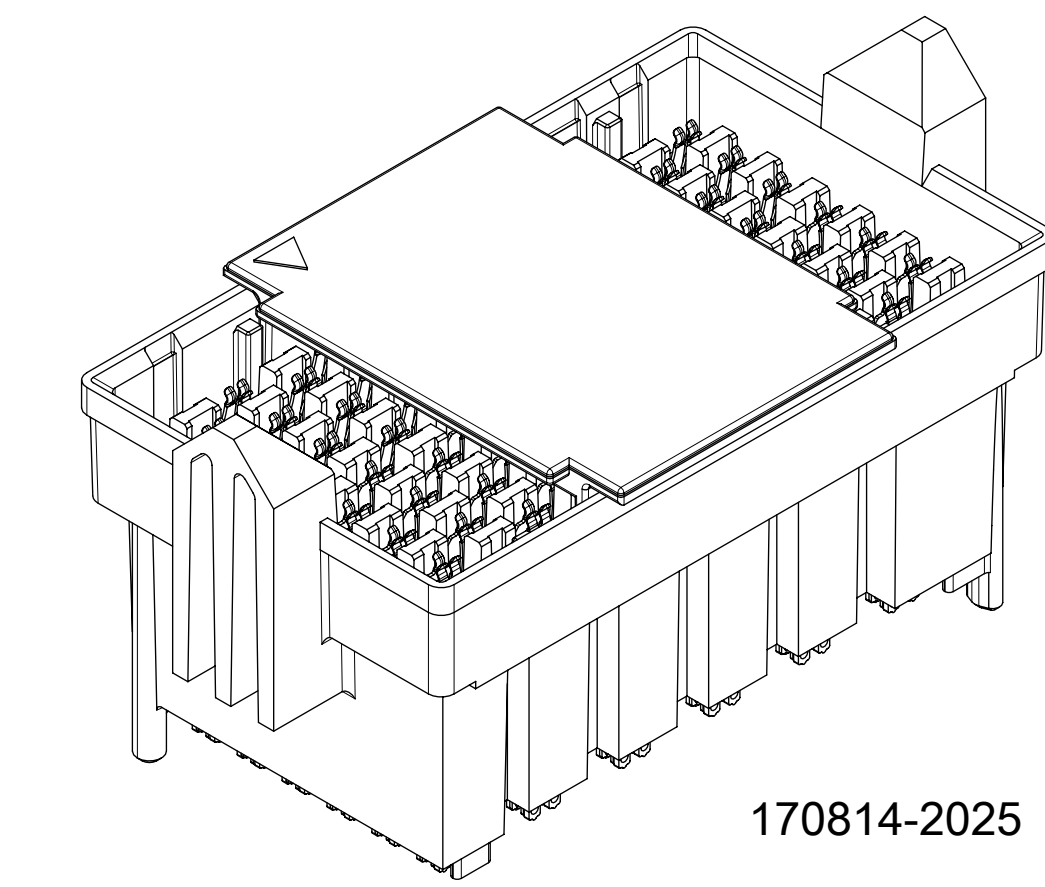
170814-2016

SCALE 3:1



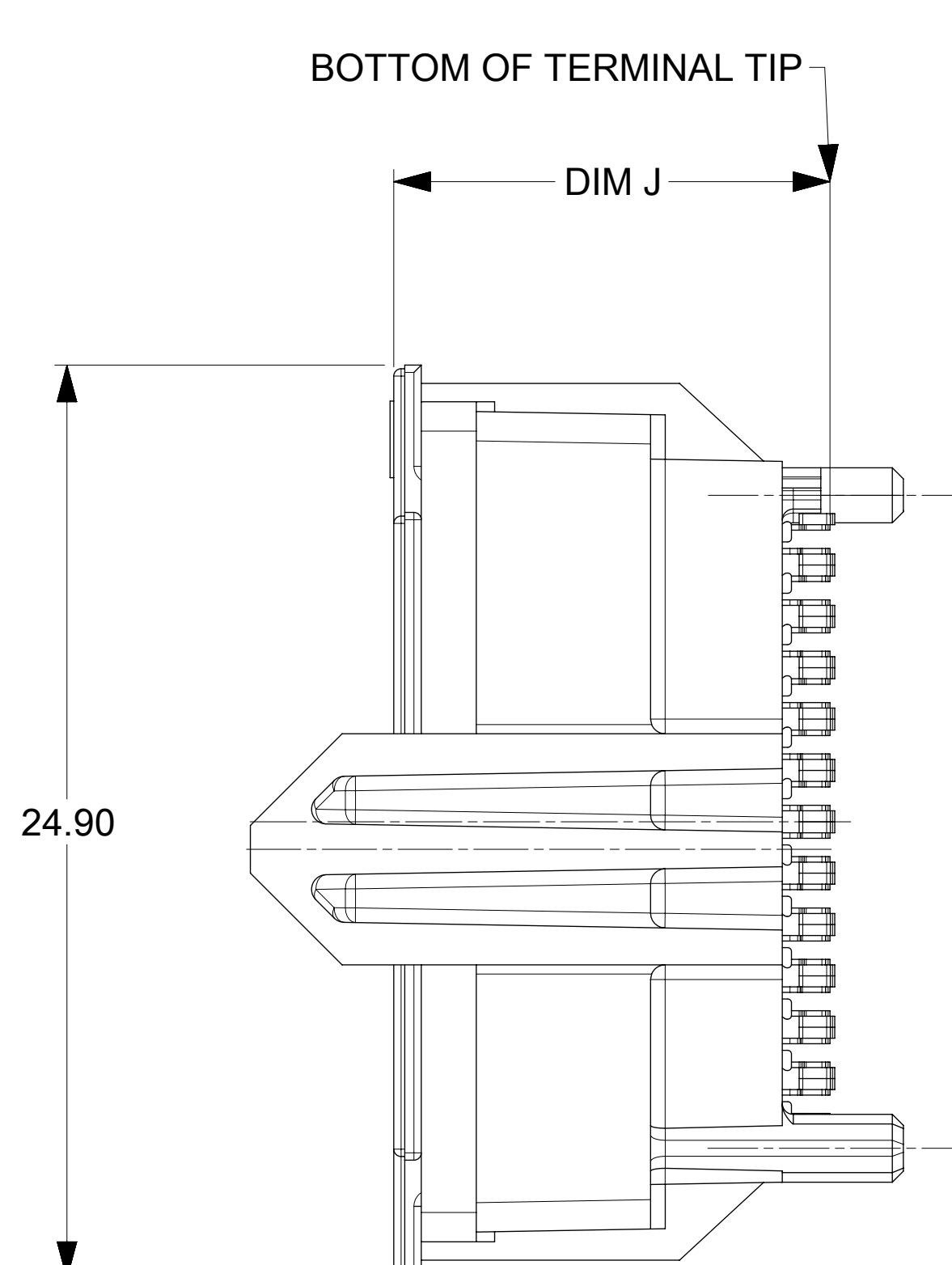
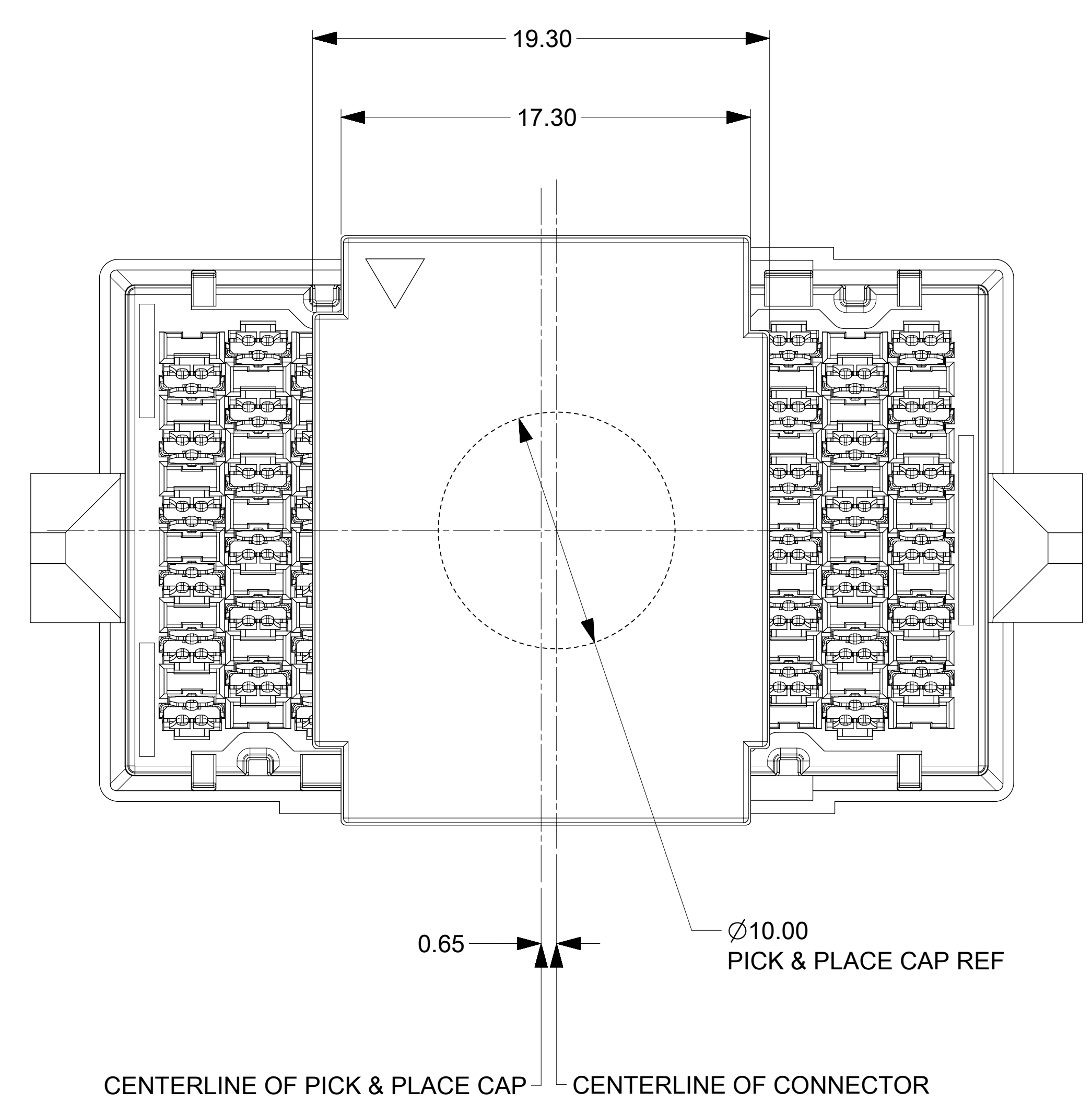
170814-0034/2008

SCALE 3:1



170814-2025

SCALE 3:1



PART ILLUSTRATED IS 170814-2016

FUNCTIONAL SYMBOLS FA = 0 FC = 0 FD = 0	THIS DRAWING CONTAINS INFORMATION THAT IS PROPRIETARY TO MOLEX ELECTRONIC TECHNOLOGIES, LLC AND SHOULD NOT BE USED WITHOUT WRITTEN PERMISSION	DIMENSION UNITS	SCALE	CURRENT REV DESC: REMASTERED TO NX.	
	mm	NTS			
DIVISIONAL SYMBOLS	GENERAL TOLERANCES (UNLESS SPECIFIED)				
	ANGULAR TOL ± 0.5°				
	4 PLACES ±	EC NO: 667773			
	3 PLACES ±	DRWN: JESSIECHUA	2021/06/22		
	2 PLACES ± 0.15	CHK'D: HCGOH	2021/07/15		
	1 PLACE ±	APPR: SHONG	2021/07/19		
	0 PLACES ±	INITIAL REVISION:			
		DRWN: HCGOH	2013/12/30		
		APPR: SHONG	2014/01/27		
DRAFT WHERE APPLICABLE MUST REMAIN WITHIN DIMENSIONS	THIRD ANGLE PROJECTION	DRAWING	SERIES	MATERIAL NUMBER	CUSTOMER
		D-SIZE	170814	SEE CHART	GENERAL MARKET
DOCUMENT STATUS		DOC TYPE	DOC PART	REVISION	
P1	RELEASE DATE	PSD	001	A3	
2021/07/19	00:44:13				
SHEET NUMBER		2 OF 2			