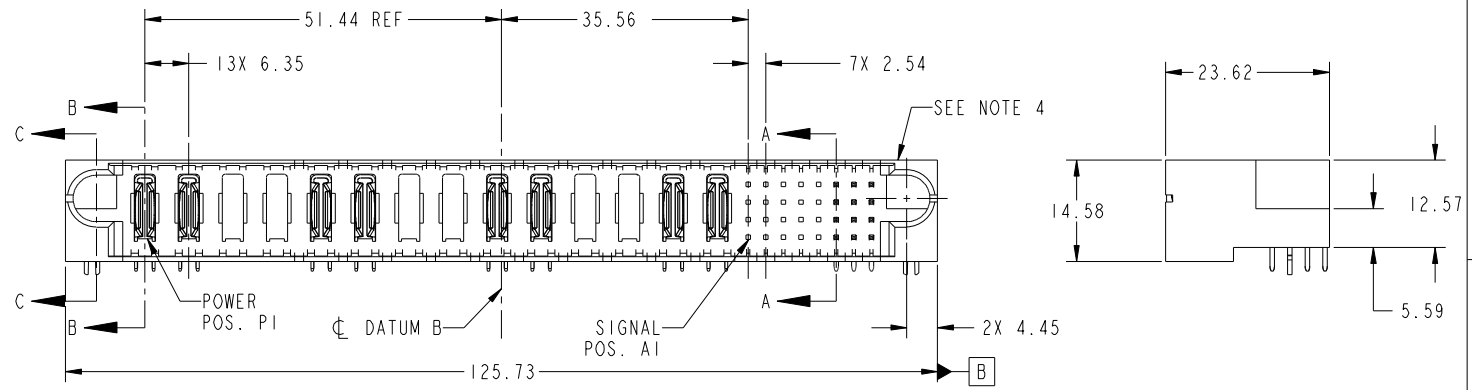


Tous droits strictement réservés. Reproduction ou communication a des tiers interdite sous quelque forme que ce soit sans autorisation écrite du propriétaire. Propriété de c FCI. Droits de reproduction FCI.



All rights strictly reserved. Reproduction or issue to third parties in any form whatever is not permitted without written authority from the proprietor. Property of FCI. Copyright FCI.

PRODUCT NO. 51939-465-- NOTE 3	ROWS DCBA	POWER														SIGNAL								E2
		E1	P1	P2	P3	P4	P5	P6	P7	P8	P9	P10	P11	P12	P13	P14	1	2	3	4	5	6	7	
		HA	PA	PA	X	X	PA	PA	X	X	PA	PA	X	X	PA	PA	X	X	X	X	UUU	UUU	UUU	UUU
			U	U	U	U	U	U	U	U	U	U	U	U	U	U	U	U	U	U	SSS	SSS	SSS	SSS
			U	U	U	U	U	U	U	U	U	U	U	U	U	U	U	U	U	U	RRR	RRR	RRR	RRR



CODE	DIM "M" MATING LENGTH	CONTACT TYPE
U	[6.86]	SIGNAL
T	[6.86]	SIGNAL
S	[6.86]	SIGNAL
R	[6.86]	SIGNAL
PA	[N/A]	POWER
HA	[N/A]	HOLD-DOWN
X	OMITTED	OMITTED

mat'l code				SEE NOTE		tolerances unless otherwise specified		CUSTOMER	
ltr	ecn no.	dr	date	linear	0.X ±0.5	COPY		FCI	
A	DG09-0286	JW	09/02/09	angles	0.XX ±0.25	projection		www.fciconnect.com	
					0.XXX ±0.1	MIM		title 14P + 32S	
				dr	0° ±2°	scale 1:1		RIGHT ANGLE SOLDER HEADER	
				enr	JULIA WANG 08/13/09			product family PwrBlade code 213	
				chr	JULIA WANG 08/13/09			size dwg no 51939-465 sheet 1 of 4	
				appd	PM ZHENG 08/13/09				
					JOSEPH HSIA 08/13/09				
sheet index	revision sheet	A 1	A 2	A 3	A 4			cage code 22526	

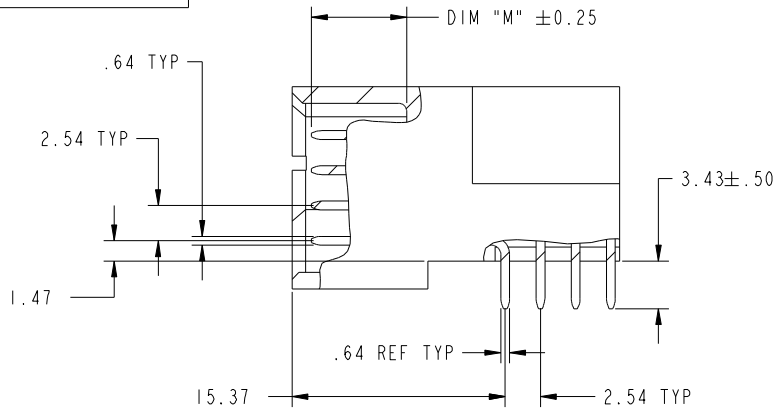
sheet index		revision sheet	A 1	A 2	A 3	A 4	cage code 22526	
-------------	--	----------------	-----	-----	-----	-----	-----------------	--

Tous droits strictement reserves. Reproduction ou communication a des tiers interdite sous quelque forme que ce soit sans autorisation écrite du propriétaire. Propriete de c FCI. Droits de reproduction FCI.

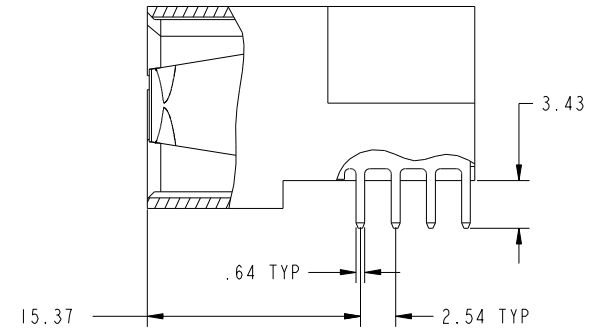
All rights strictly reserved. Reproduction or issue to third parties in any form whatever is not permitted without written authority from the proprietor. Property of FCI. Copyright FCI.



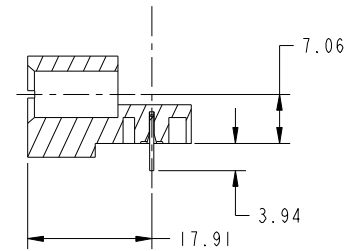
PRODUCT NUMBER  
51939-465--  
NOTE: 3



BROKEN-OUT SECTION A-A  
SCALE 2:1



BROKEN-OUT SECTION B-B  
SCALE 2:1



SECTION C-C

mat'l code				SEE NOTE	tolerances unless otherwise specified		CUSTOMER		FCI	
ltr	ecn no.	dr	date	linear	0.X ±0.5	COPY		www.fciconnect.com		
A					0.XX ±0.25	projection		title 14P + 32S RIGHT ANGLE SOLDER HEADER		
				angles	0.XXX ±0.1			product family PwrBlade code 213		
				dr	0° ±2°			size		sheet 2 of 4
				enr	JULIA WANG 08/13/09	scale		dwg no		
				chr	JULIA WANG 08/13/09	1:1		51939-465		
				appd	PM ZHENG 08/13/09					
					JOSEPH HSIA 08/13/09					
sheet index	revision sheet							cage code 22526		

Pro/E

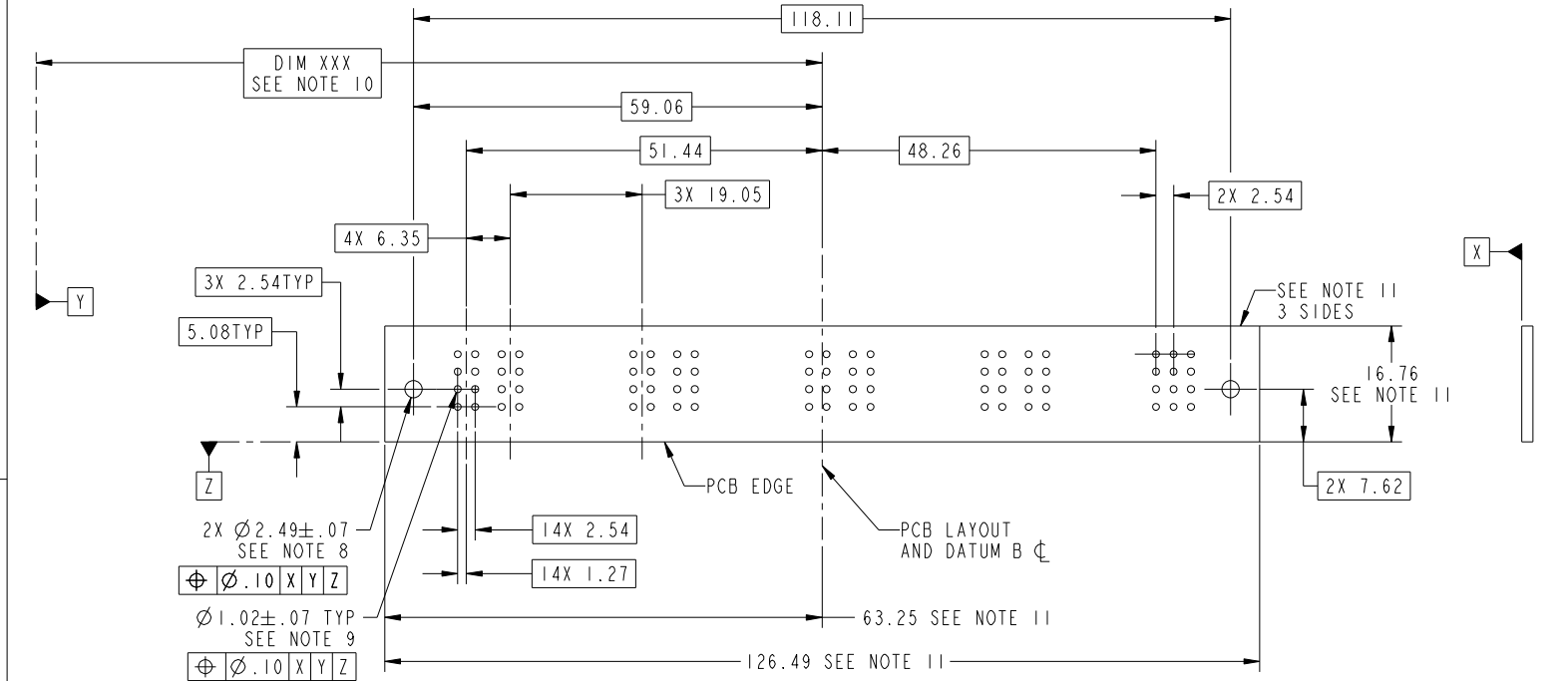
cage code 22526

Tous droits strictement reserves. Reproduction ou communication a des tiers interdite sous quelque forme que ce soit sans autorisation écrite du propriétaire. Propriete de c FCI. Droits de reproduction FCI.



All rights strictly reserved. Reproduction or issue to third parties in any form whatever is not permitted without written authority from the proprietor. Property of FCI. Copyright FCI.

PRODUCT NUMBER  
51939-465-  
NOTE: 3



RECOMMENDED PCB LAYOUT

mat'l code		SEE NOTE		tolerances unless otherwise specified		CUSTOMER		FCI	
ltr	ecn no.	dr	date	linear	0.X ±0.5	COPY		www.fciconnect.com	
A					0.XX ±0.25	projection		title	
				angles	0.XXX ±0.1			14P + 32S RIGHT ANGLE SOLDER HEADER	
				dr	0° ±2°			product family PwrBlade code	
				enr	JULIA WANG 08/13/09	scale		size	
				chr	JULIA WANG 08/13/09	1:1		dwg no	
				appd	PM ZHENG 08/13/09	A		51939-465	
					JOSEPH HSIA 08/13/09			sheet	
sheet index	revision sheet							3 of 4	

cage code 22526

Pro/E

Tous droits strictement reserves. Reproduction ou communication a des tiers interdite sous quelque forme que ce soit sans autorisation écrite du propriétaire. Propriete de c FCI. Droits de reproduction FCI.



All rights strictly reserved. Reproduction or issue to third parties in any form whatever is not permitted without written authority from the proprietor. Property of FCI. Copyright FCI.

PRODUCT NUMBER  
51939-465--  
NOTE: 3

NOTES:

1. DIMENSIONS AND TOLERANCES ARE IN ACCORDANCE WITH ASME Y14.5M, 1994 UNLESS OTHERWISE SPECIFIED.

CONNECTOR NOTES:

- 2. HOUSING MATERIAL: UL 94 V-0 GLASS FILLED  
HIGH-TEMP THERMOPLASTIC  
POWER CONTACT MATERIAL: COPPER ALLOY  
SIGNAL PIN MATERIAL: COPPER ALLOY
- 3. PLATING:  
SEE ITEM 1 & 2 IN PRINT 10064183 FOR PLATING SPEC. OF 51939-465; 51939-465LF RESPECTVIELY.
- 4. MANUFACTURER'S NAME, P/N, AND DATE CODE TO APPEAR ON THIS SURFACE.
- 5. PRODUCT SPECIFICATION GS-12-149.  
APPLICATION SPECIFICATION BUS-20-067.
- 6. PACKAGED IN TRAYS.

PCB NOTES:

- 7. ALL HOLE DIAMETERS ARE FINISHED HOLE SIZE.
- 8. MOUNTING HOLES, WHERE APPLICABLE, ARE UNPLATED.
- 9.  $\varnothing 1.151 \pm 0.025$  DRILLED HOLES PLATED WITH 0.008 MIN SnPb OR Sn OVER 0.03 TO 0.08 Cu PLATING TO ACHIEVE  $\varnothing 1.02 \pm .07$  HOLE.
- 10. "DIM XXX" TO BE DETERMINED BY THE CUSTOMER.
- 11. CONNECTOR KEEP-OUT ZONE.

mat'l code		SEE NOTE		tolerances unless otherwise specified		CUSTOMER		FCI		www.fciconnect.com	
ltr	ecn no.	dr	date	linear	0.X ± 0.5	COPY				title	
A					0.XX ± 0.25	projection				14P + 32S	
				angles	0.XXX ± 0.1					RIGHT ANGLE SOLDER HEADER	
				dr	JULIA WANG 08/13/09	MIM		product family		PwrBlade	code
				enr	JULIA WANG 08/13/09			size		dwg no	213
				chr	PM ZHENG 08/13/09	scale		A		51939-465	sheet
				appd	JOSEPH HSIA 08/13/09	1:1				4 of 4	
sheet index	revision sheet										

cage code 22526

Pro/E

# Mouser Electronics

Authorized Distributor

Click to View Pricing, Inventory, Delivery & Lifecycle Information:

[FCI / Amphenol:](#)

[51939-465LF](#)