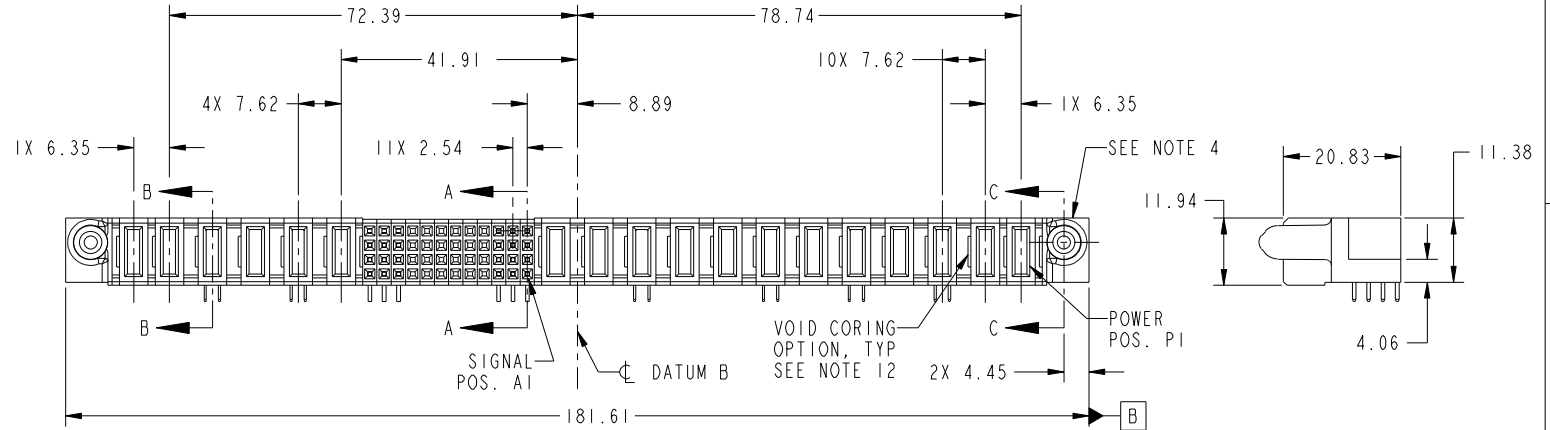
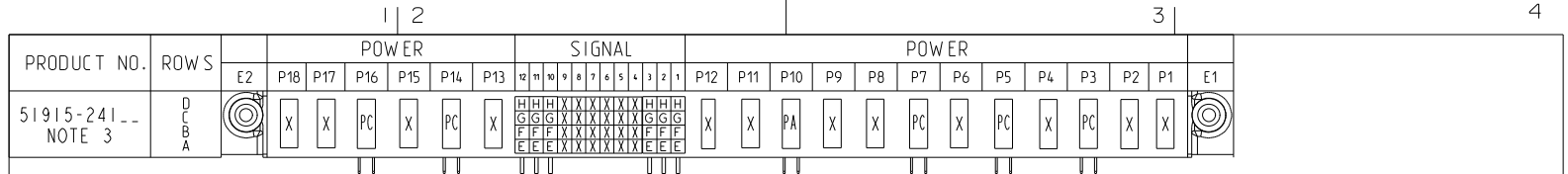


Tous droits strictement reserves. Reproduction ou communication a des tiers interdite sous quelque forme que ce soit sans autorisation écrite du propriétaire. Propriete de c FCI. Droits de reproduction FCI.



All rights strictly reserved. Reproduction or issue to third parties in any form whatever is not permitted without written authority from the proprietor. Property of FCI. Copyright FCI.



| CODE | DIM "M" MATING LENGTH | CONTACT TYPE |
|------|-----------------------|--------------|
| PC   | [2.34]                | POWER        |
| H    | [N/A]                 | SIGNAL       |
| G    | [N/A]                 | SIGNAL       |
| F    | [N/A]                 | SIGNAL       |
| E    | [N/A]                 | SIGNAL       |
| PA   | [1.07]                | POWER        |
| X    | OMITTED               | OMITTED      |

| mat'l code  |                |    |          | SEE NOTE 2 |                      | tolerances unless otherwise specified |  | CUSTOMER              |  |
|-------------|----------------|----|----------|------------|----------------------|---------------------------------------|--|-----------------------|--|
| ltr         | ecn no.        | dr | date     | linear     | 0.X ± 0.5            | projection                            |  | COPY                  |  |
| A           | DG10-0077      | WD | 02/23/10 | angles     | 0.XX ± 0.25          | MIM                                   |  | title                 |  |
|             |                |    |          |            | 0.XXX ± 0.1          | 13:16                                 |  | 12P + 48S + 6P        |  |
|             |                |    |          | dr         | 0° ± 2°              |                                       |  | R/A SOLDER RECEPTACLE |  |
|             |                |    |          | enr        |                      |                                       |  | product family        |  |
|             |                |    |          | chr        | WARREN DU 11/22/09   |                                       |  | PwrBlade              |  |
|             |                |    |          | appd       | WARREN DU 11/22/09   |                                       |  | code                  |  |
|             |                |    |          |            | PM ZHENG 11/22/09    |                                       |  | 213                   |  |
|             |                |    |          |            | JOSEPH HSIA 11/22/09 |                                       |  | sheet                 |  |
| sheet index | revision sheet | A  | A        | A          | A                    |                                       |  | 1 of 4                |  |
| 1           | 2              | 3  | 4        |            |                      |                                       |  |                       |  |

|                    |  |                |  |        |  |
|--------------------|--|----------------|--|--------|--|
| www.fciconnect.com |  | product family |  | code   |  |
| size               |  | PwrBlade       |  | 213    |  |
| dwg no             |  | 51915-241      |  | sheet  |  |
| A                  |  |                |  | 1 of 4 |  |
| cage code          |  | 22526          |  | 4      |  |

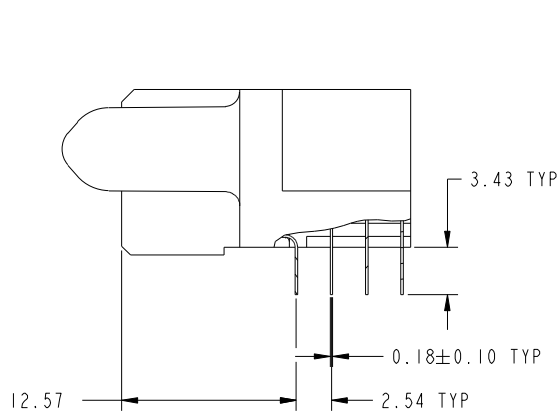
1 | 2 | Pro/E | 3 | cage code 22526 | 4

Tous droits strictement reserves. Reproduction ou communication a des tiers interdite sous quelque forme que ce soit sans autorisation écrite du propriétaire. Propriete de c FCI. Droits de reproduction FCI.

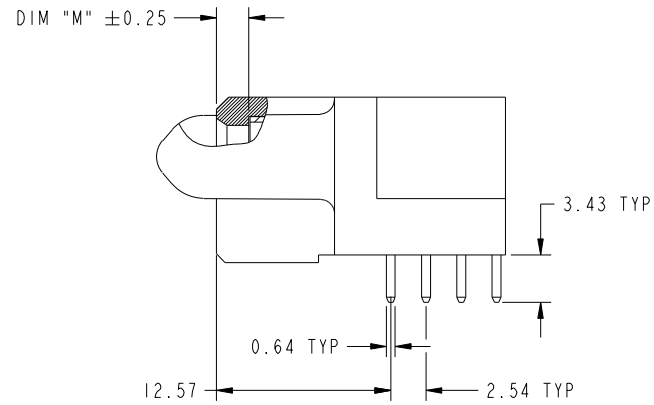
All rights strictly reserved. Reproduction or issue to third parties in any form whatever is not permitted without written authority from the proprietor. Property of FCI. Copyright FCI.



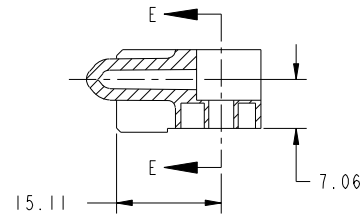
PRODUCT NUMBER  
51915-241--  
NOTE 3



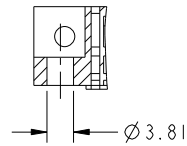
BROKEN-OUT SECTION A-A  
SCALE 2:1



BROKEN-OUT SECTION B-B  
SCALE 2:1



SECTION C-C



PARTIAL SECTION E-E

|             |         |                |      |            |                      |                                       |  |                |  |                    |  |                       |  |
|-------------|---------|----------------|------|------------|----------------------|---------------------------------------|--|----------------|--|--------------------|--|-----------------------|--|
| mat'l code  |         |                |      | SEE NOTE 2 |                      | tolerances unless otherwise specified |  | CUSTOMER       |  | FCI                |  |                       |  |
| ltr         | ecr no. | dr             | date | linear     | 0.X ± 0.5            | projection                            |  | COPY           |  | www.fciconnect.com |  |                       |  |
| A           |         |                |      |            | 0.XX ± 0.25          |                                       |  | title          |  | 12P + 48S + 6P     |  | R/A SOLDER RECEPTACLE |  |
|             |         |                |      |            | 0.XXX ± 0.1          |                                       |  | product family |  | PwrBlade           |  | code                  |  |
|             |         |                |      | angles     | 0° ± 2°              |                                       |  | size           |  | 213                |  |                       |  |
|             |         |                |      | dr         | WARREN DU 11/22/09   |                                       |  | dwg no         |  | 51915-241          |  | sheet                 |  |
|             |         |                |      | enr        | WARREN DU 11/22/09   |                                       |  | scale          |  | A                  |  | 2 of 4                |  |
|             |         |                |      | chr        | PM ZHENG 11/22/09    |                                       |  | 1:1            |  |                    |  |                       |  |
|             |         |                |      | appd       | JOSEPH HSIA 11/22/09 |                                       |  |                |  |                    |  |                       |  |
| sheet index |         | revision sheet |      |            |                      |                                       |  |                |  |                    |  |                       |  |

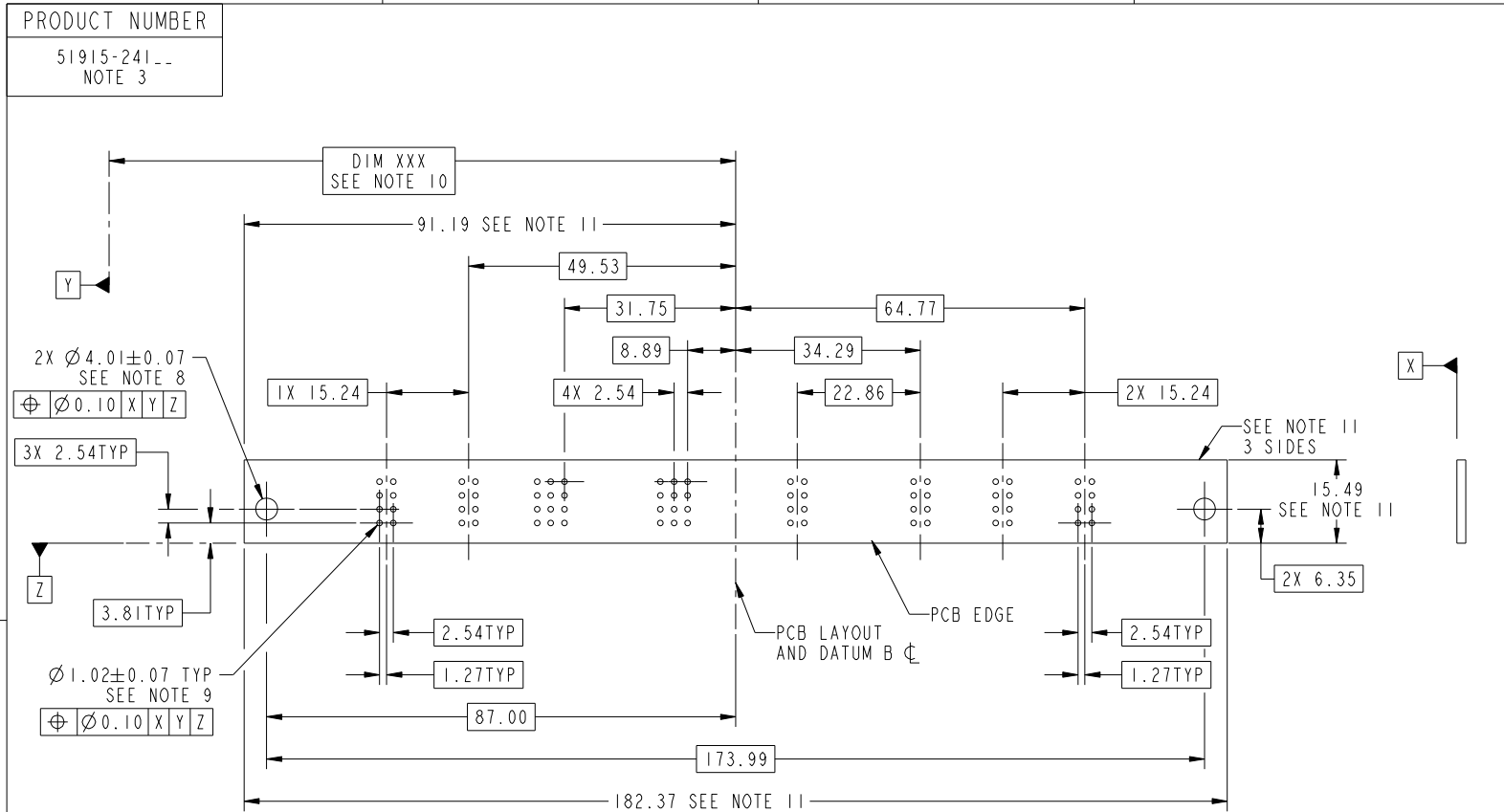
cage code 22526

Pro/E

Tous droits strictement reserves. Reproduction ou communication a des tiers interdite sous quelque forme que ce soit sans autorisation écrite du propriétaire. Propriete de c FCI. Droits de reproduction FCI.



All rights strictly reserved. Reproduction or issue to third parties in any form whatever is not permitted without written authority from the proprietor. Property of FCI. Copyright FCI.



RECOMMENDED PCB LAYOUT

|             |                |    |      |          |                      |                                       |  |                    |  |                       |  |
|-------------|----------------|----|------|----------|----------------------|---------------------------------------|--|--------------------|--|-----------------------|--|
| mat'l code  |                |    |      | SEE NOTE |                      | tolerances unless otherwise specified |  | CUSTOMER           |  | FCI                   |  |
| ltr         | ecn no.        | dr | date | linear   | 0.X ±0.5             | COPY                                  |  | www.fciconnect.com |  | title                 |  |
| A           |                |    |      |          | 0.XX ±0.25           | projection                            |  | 12P + 48S + 6P     |  | R/A SOLDER RECEPTACLE |  |
|             |                |    |      | angles   | 0.XXX ±0.1           | MIM                                   |  | product family     |  | PwrBlade              |  |
|             |                |    |      | dr       | 0° ±2°               | scale                                 |  | size               |  | code                  |  |
|             |                |    |      | enr      | WARREN DU 11/22/09   | 13:16                                 |  | dwg no             |  | 213                   |  |
|             |                |    |      | chr      | WARREN DU 11/22/09   | A                                     |  | 51915-241          |  | sheet                 |  |
|             |                |    |      | appd     | PM ZHENG 11/22/09    |                                       |  | 3 of 4             |  |                       |  |
|             |                |    |      |          | JOSEPH HSIA 11/22/09 |                                       |  |                    |  |                       |  |
| sheet index | revision sheet |    |      |          |                      |                                       |  |                    |  |                       |  |

cage code 22526

Pro/E

Tous droits strictement reserves. Reproduction ou communication a des tiers interdite sous quelque forme que ce soit sans autorisation écrite du propriétaire. Propriete de c FCI. Droits de reproduction FCI.

All rights strictly reserved. Reproduction or issue to third parties in any form whatever is not permitted without written authority from the proprietor. Property of FCI. Copyright FCI.

PRODUCT NUMBER  
51915-241--  
NOTE 3

NOTES:

1. DIMENSIONS AND TOLERANCES ARE IN ACCORDANCE WITH ASME Y14.5M, 1994 UNLESS OTHERWISE SPECIFIED.

CONNECTOR NOTES:

- 2. HOUSING MATERIAL: UL 94 V-0 GLASS FILLED HIGH-TEMP THERMOPLASTIC  
POWER CONTACT MATERIAL: COPPER ALLOY  
SIGNAL PIN MATERIAL: COPPER ALLOY
  - 3. PLATING:  
SEE ITEM 5 & 6 IN PRINT 10064183 FOR PLATING SPEC. 51915-241, 51915-241LF PLATING SPEC. RESPECTIVELY.
  - 4. MANUFACTURER'S NAME, DATE CODE AND OPTIONAL P/N TO APPEAR ON THIS SURFACE. THE P/N CAN BE OMITTED IF THERE IS NOT ENOUGH SPACE ON THIS SURFACE.
  - 5. PRODUCT SPECIFICATION GS-12-149.  
APPLICATION SPECIFICATION BUS-20-067.
  - 6. PACKAGED IN TRAYS.
- PCB NOTES:
- 7. ALL HOLE DIAMETERS ARE FINISHED HOLE SIZE.
  - 8. MOUNTING HOLES, WHERE APPLICABLE, ARE UNPLATED.
  - 9.  $\varnothing 1.151 \pm 0.025$  DRILLED HOLES PLATED WITH  
0.008 MIN SnPb OR Sn OVER 0.03  
TO 0.08 Cu PLATING TO ACHIEVE  
 $\varnothing 1.02 \pm 0.07$  HOLE.
  - 10. "DIM XXX" TO BE DETERMINED BY THE CUSTOMER.
  - 11. CONNECTOR KEEP-OUT ZONE.
  - 12. THE VOID CORING IN BETWEEN POWER MODULES, SIGNAL MODULES AND END MODULES ARE OPTIONAL AND THE SHAPE MAY BE DIFFERENT FOR OPTIMIZE THE MOLDING PROCESS. THE VOID CORING WILL NOT EFFECT TO PRODUCT FUNCTION.

|             |                |    |      |            |             |                                       |         |          |            |   |  |
|-------------|----------------|----|------|------------|-------------|---------------------------------------|---------|----------|------------|---|--|
| mat'l code  |                |    |      | SEE NOTE 2 |             | tolerances unless otherwise specified |         | CUSTOMER |            | FCI<br>www.fciconnect.com               |  |
| ltr         | ecr no.        | dr | date | linear     | 0.X ± 0.5   |                                       | COPY    |          | projection | title                                   |  |
| A           |                |    |      |            | 0.XX ± 0.25 |                                       | MIM     |          |            | 12P + 48S + 6P<br>R/A SOLDER RECEPTACLE |  |
|             |                |    |      |            | 0.XXX ± 0.1 |                                       | ← MIM → |          |            | product family PwrBlade code 213        |  |
|             |                |    |      | angles     | 0° ± 2°     |                                       | scale   |          | size       |   |  |
|             |                |    |      | dr         | WARREN DU   | 11/22/09                              | 1:1     |          | dwg no     |   |  |
|             |                |    |      | enr        | WARREN DU   | 11/22/09                              | A       |          | 51915-241  |   |  |
|             |                |    |      | chr        | PM ZHENG    | 11/22/09                              |         |          | sheet      |   |  |
|             |                |    |      | appd       | JOSEPH HSIA | 11/22/09                              |         |          | 4 of 4     |   |  |
| sheet index | revision sheet |    |      |            |             |                                       |         |          |            |   |  |

cage code 22526

Pro/E

# Mouser Electronics

Authorized Distributor

Click to View Pricing, Inventory, Delivery & Lifecycle Information:

[FCI:](#)

[51915-241LF](#)