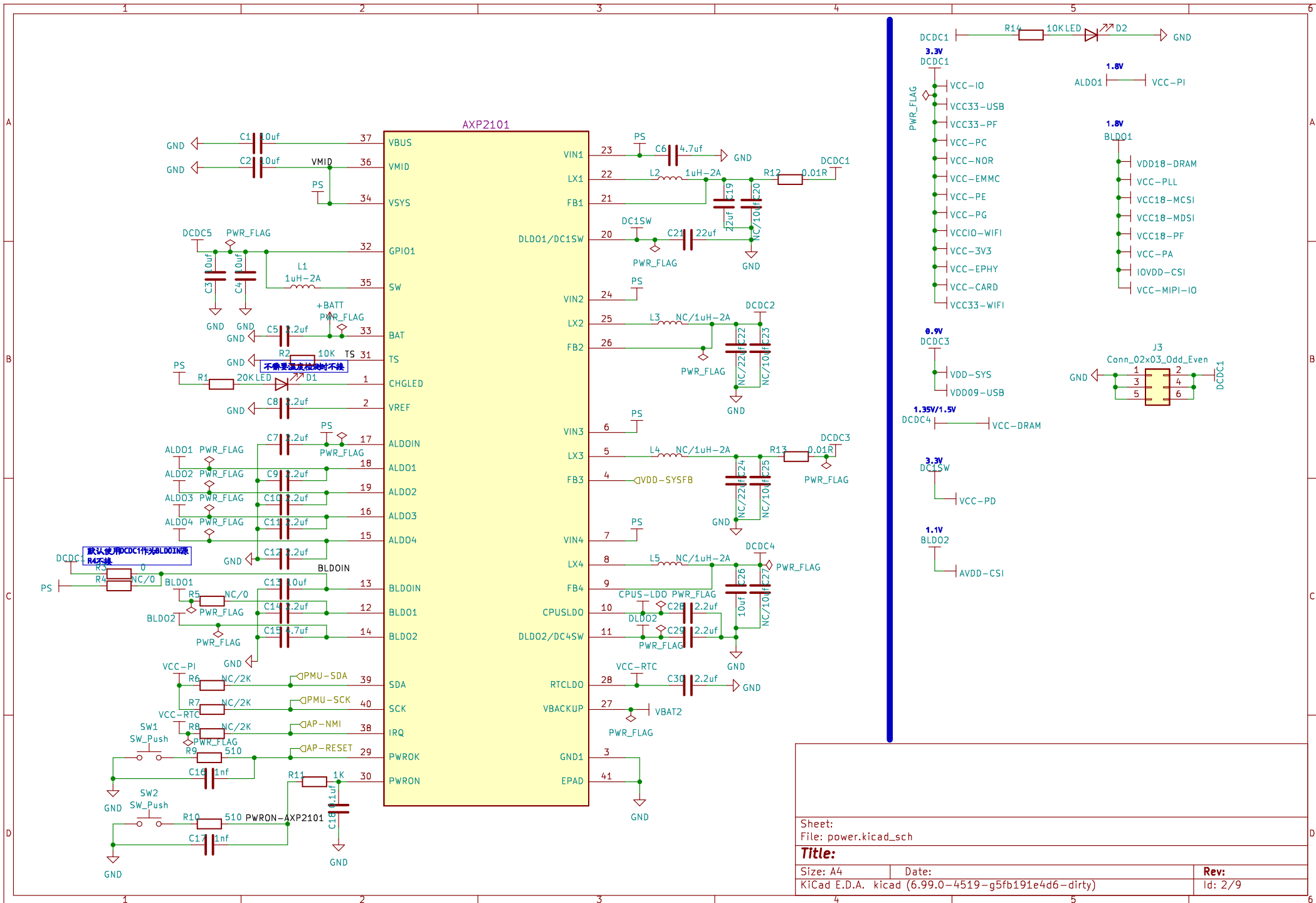
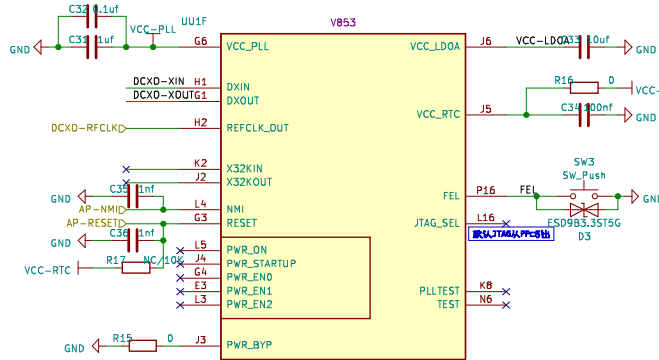
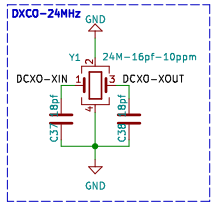


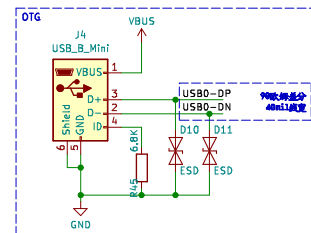
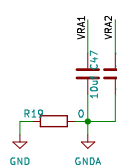
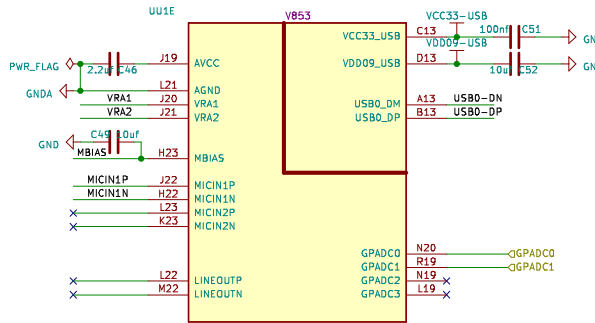
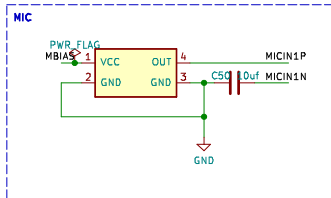
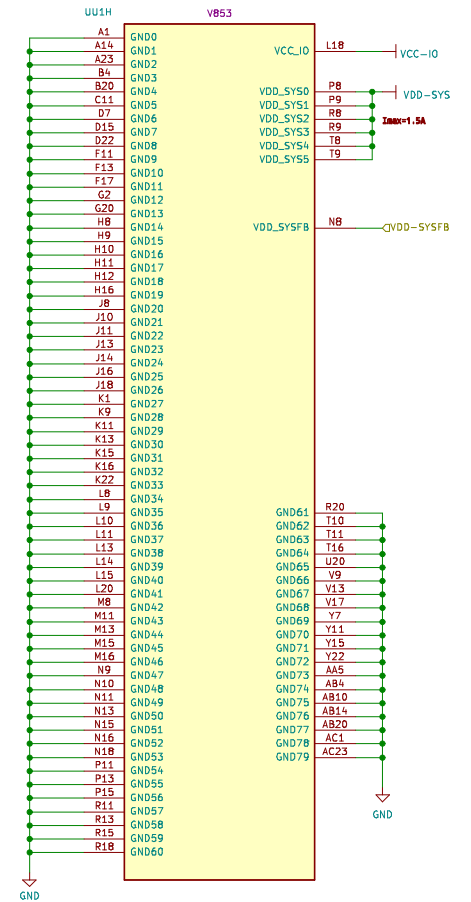
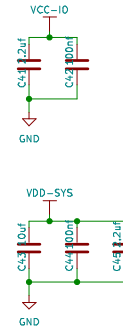
Sheet:	
File: doupi.kicad_sch	
<b>Title: DouPI</b>	
Size: A4	Date: 2022-11-23
KiCad E.D.A. kicad (6.99.0-4519-g5fb191e4d6-dirty)	
Rev: V0.9	
Id: 1/9	



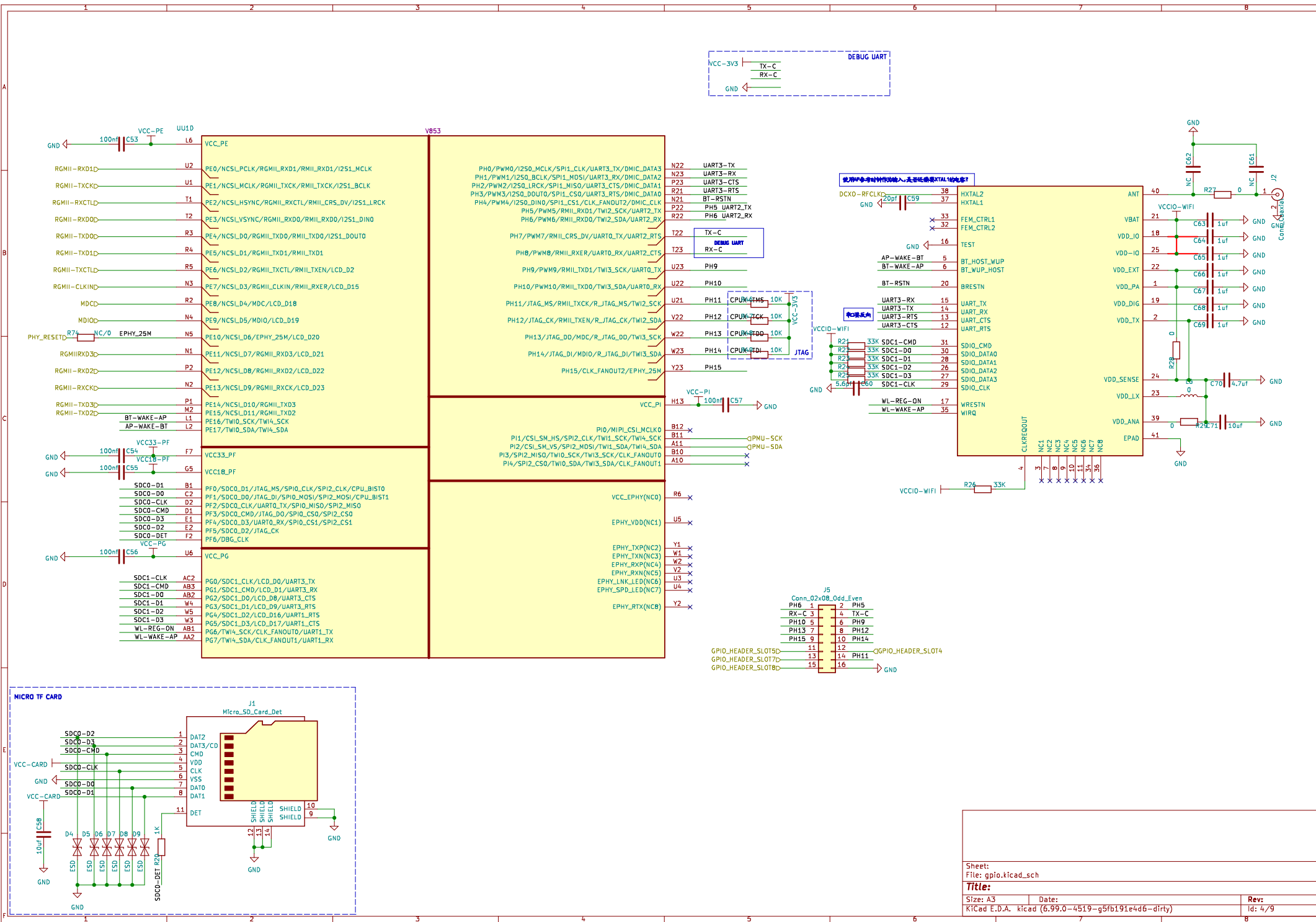
Sheet:	
File: power.kicad_sch	
<b>Title:</b>	
Size: A4	Date:
KiCad E.D.A. kicad (6.99.0-4519-g5fb191e4d6-dirty)	
Rev:	Id: 2/9



**PWR-BYP:**  
 1. 清除内部电平(1. PWR清除内部电平)  
 2. 上电内部电平清除, 清除外部电平(3. 清除外部电平清除内部电平)  
 清除内部电平(1. PWR清除内部电平, 清除内部电平)  
 2. 上电内部电平清除, 清除外部电平(3. 清除外部电平清除内部电平)

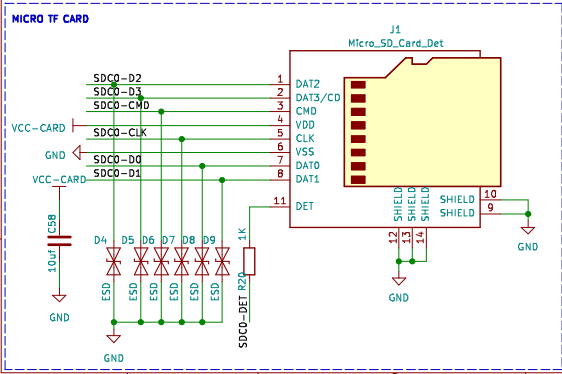
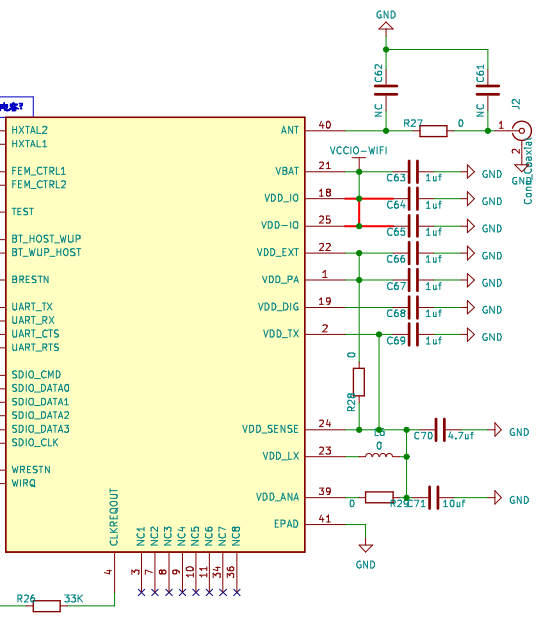
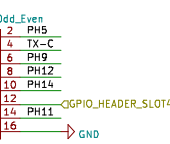


Sheet:			
File: sys.kicad_sch			
<b>Title:</b>			
Size: A3	Date:		Rev:
KiCad E.D.A. kicad (6.99.0-4519-g5fb191e4d6-dirty)			Id: 3/9

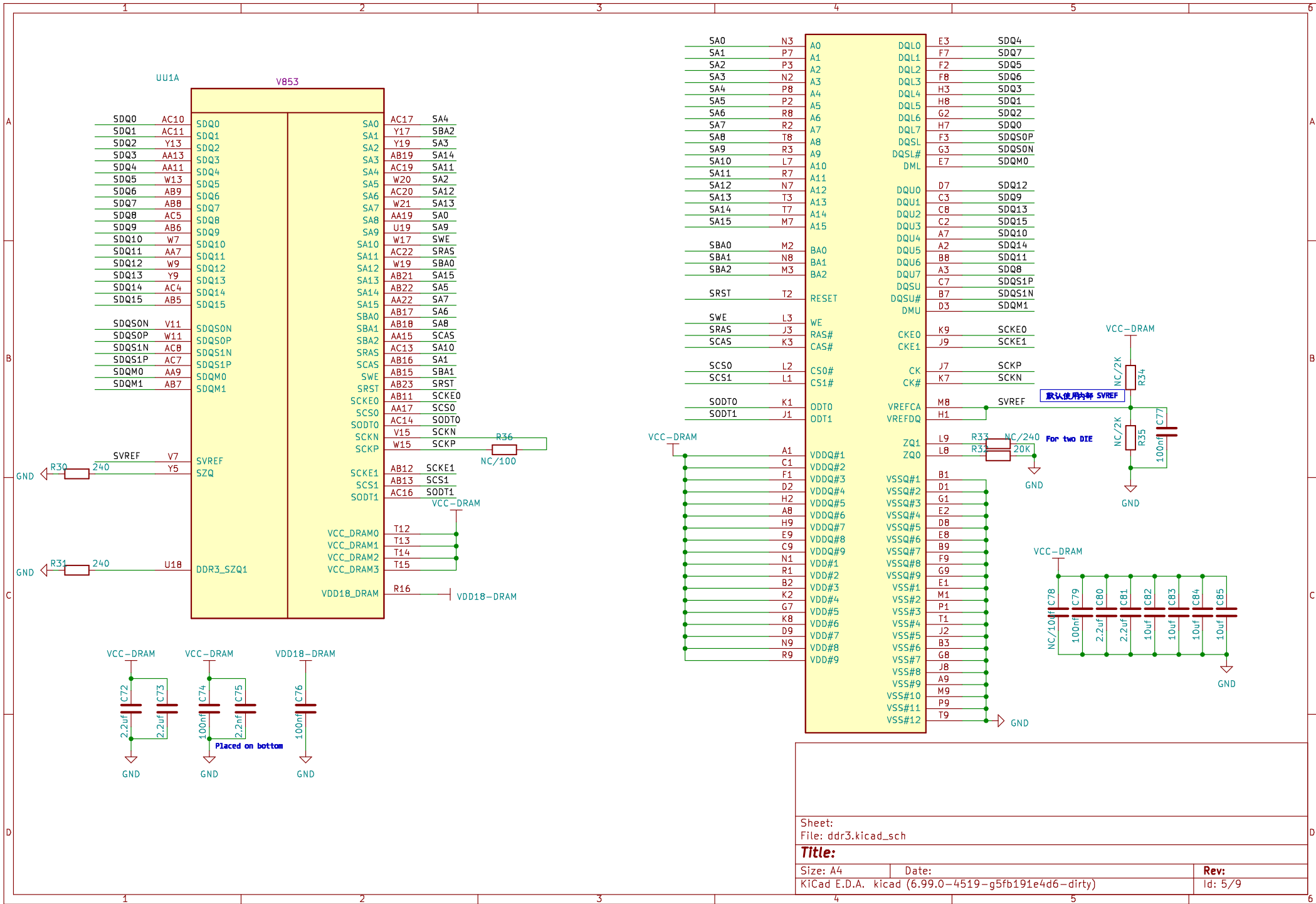


说明所有时钟输入,是必须接KIAL1的电源!

和原理图

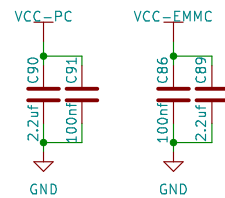
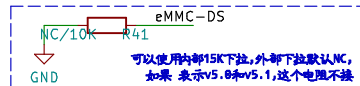
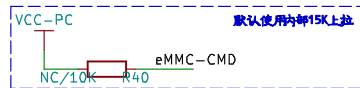
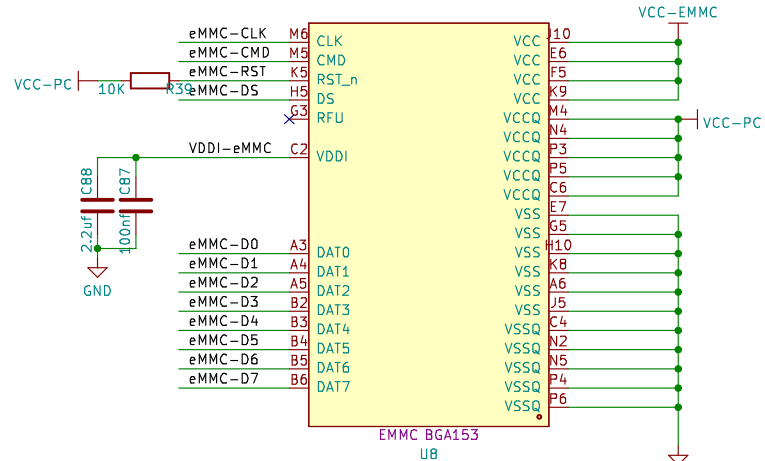
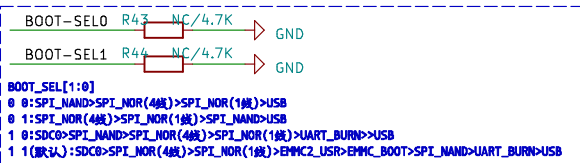
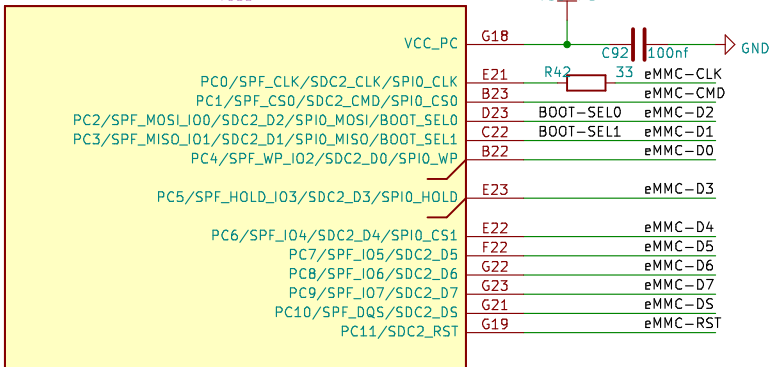


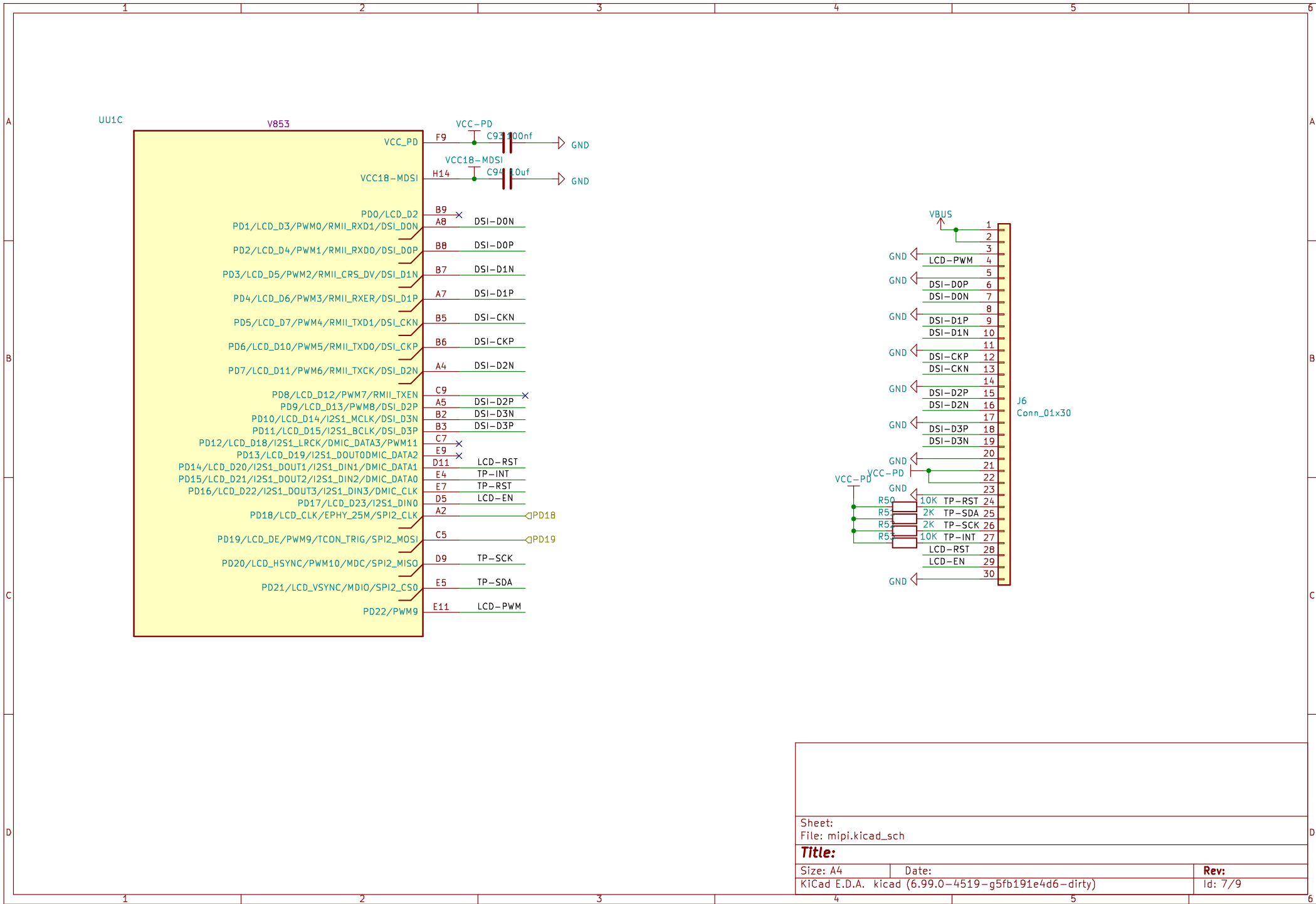
Sheet:			
File: gpio.kicad_sch			
<b>Title:</b>			
Size: A3	Date:	Rev:	
KiCad E.D.A. kicad (6.99.0-4519-g5fb191e4d6-dirty)			
Id: 4/9			



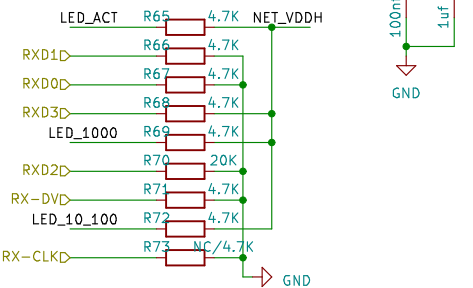
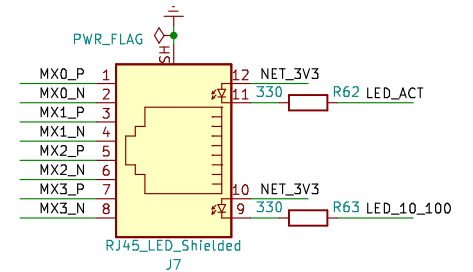
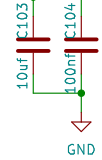
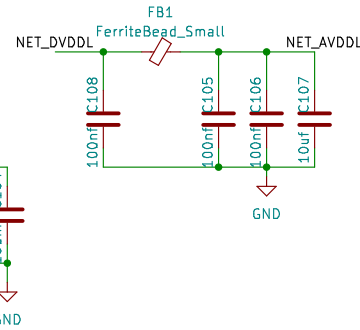
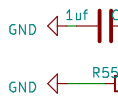
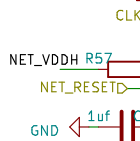
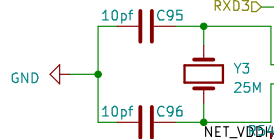
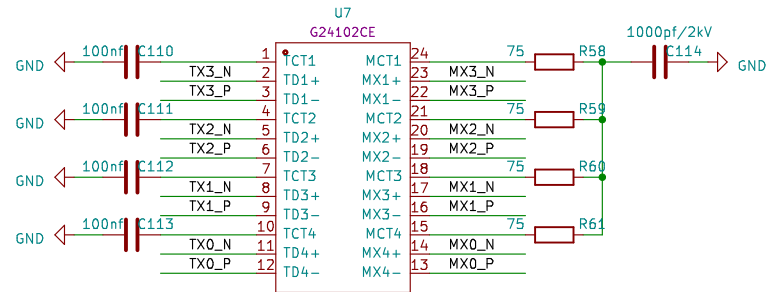
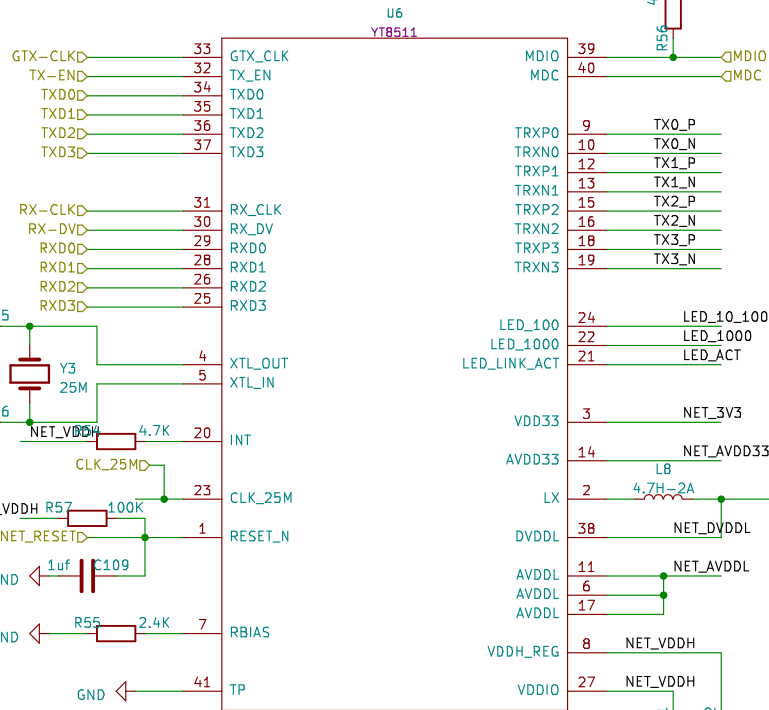
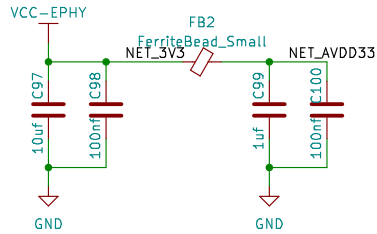
UU1B

V853





Sheet:		File: mipi.kicad_sch	
<b>Title:</b>			
Size: A4	Date:	Rev:	
KiCad E.D.A. kicad (6.99.0-4519-g5fb191e4d6-dirty)		Id: 7/9	



LED_ACT(IPU)	PHY_ADDR(2)	PHY Addr=0000+PHYA(2:0)
RXD1(IPD)	PHY_ADDR(1)	
RXD0(IPD)	PHY_ADDR(0)	
RXD3(IPD)	MODE_SEL(1)	01:force low power mode 11:normal mode
LED_1000(IPU)	MODE_SEL(0)	
RXD2(IPD)	PLLON	0:PLL OFF in hibernation 1:PLL ON in hibernation
RX-DV(IPD)	3.3V/2.5V_SEL	0:RGHII IO 3.3V 1:RGHII IO 2.5V
LED_10_100(IPU)	RXC_delay_en	0:RXC delay disable 1:RXC delay enable
RX_CLK(IPD)	CLK_25M_en	0:CLK_25M enable 1:CLK_25M disable

Sheet:  
File: gmac.kicad\_sch

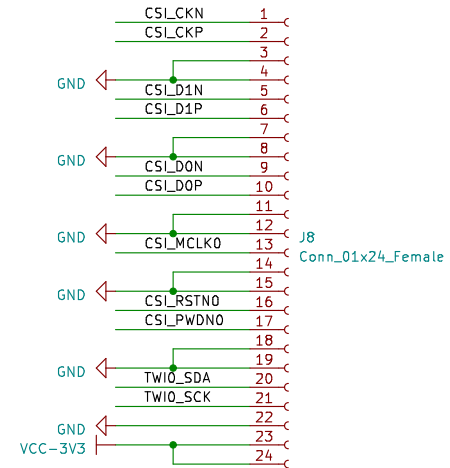
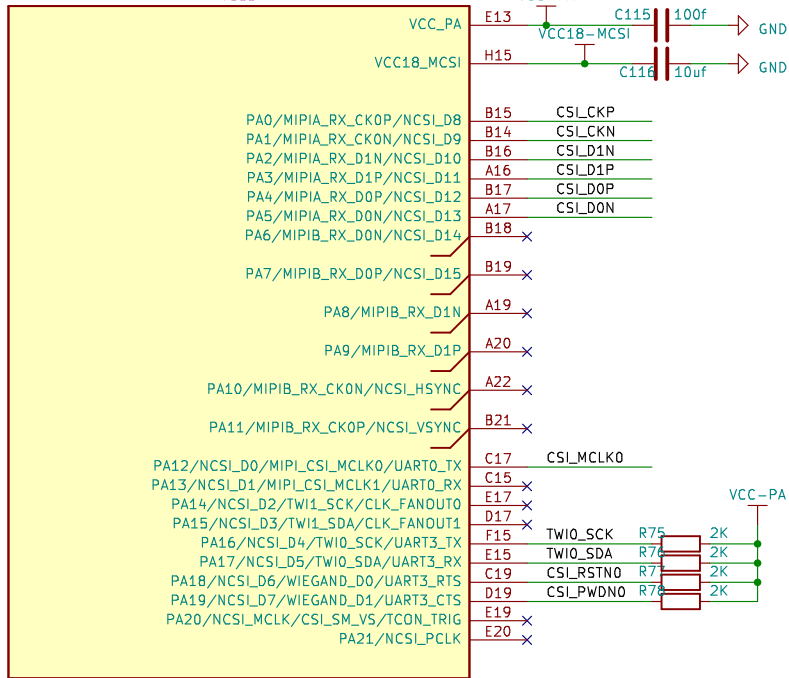
**Title:**

Size: A4	Date:	Rev:
KiCad E.D.A. kicad (6.99.0-4519-g5fb191e4d6-dirty)		Id: 8/9



UU1G

V853



Sheet:	
File: csi.kicad_sch	
<b>Title:</b>	
Size: A4	Date:
KiCad E.D.A. kicad (6.99.0-4519-g5fb191e4d6-dirty)	Rev: Id: 9/9