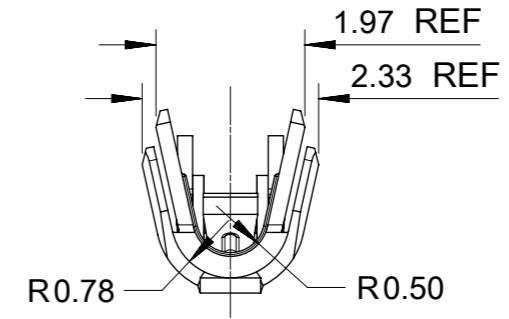
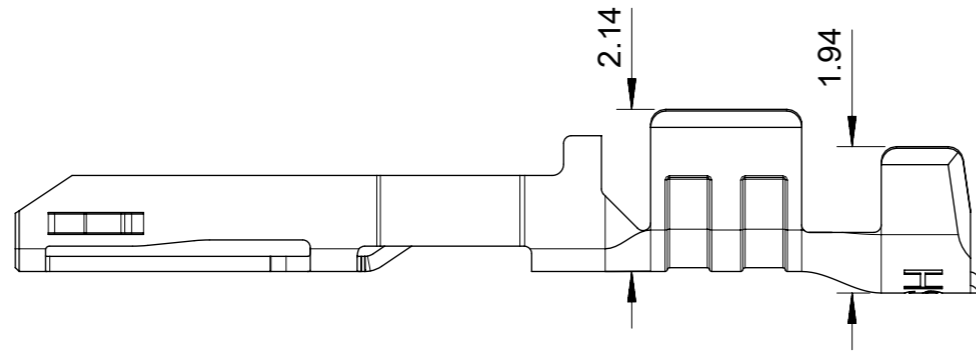


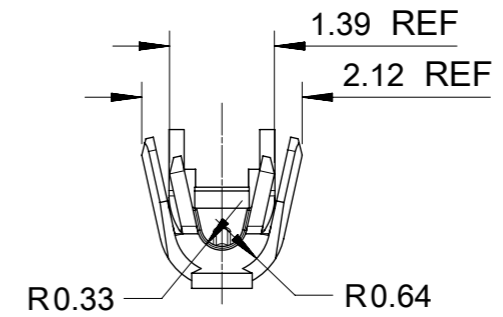
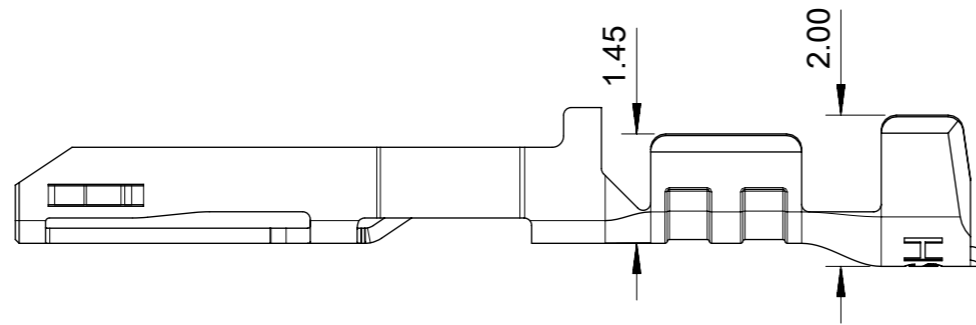
**NOTES:**

1. MATERIAL: HIGH CONDUCTIVITY COPPER ALLOY.
2. PLATING FINISH SEE CHART IN SHEET 3.
3. PRODUCT SPECIFICATION: PS-105300-100.
4. PACKAGE SPECIFICATION: PK-105300-100.
5. THE COMPONENT COMPLIANT TO RoHS DIRECTIVE 2011/65/EU AND ELV DIRECTIVE 2000/53/EC.
6. PRODUCT APPLY TO RECEPTACLE HOUSING OF 105307-\*\*\*\* AND 105308-\*\*\*\*.
7. PARTS CONFORM TO CLASS 'B' REQUIREMENTS OF COSMETIC SPECIFICATION PS-45499-002.
8. APPLICATION SPECIFICATION: AS-105300-100.
9. RECOMMENDED INSULATOR:  
20AWG WIRE, OD 1.60MM MAX.  
24AWG WIRE, OD 1.30MM MAX.

FUNCTIONAL SYMBOLS	THIS DRAWING CONTAINS INFORMATION THAT IS PROPRIETARY TO MOLEX ELECTRONIC TECHNOLOGIES, LLC AND SHOULD NOT BE USED WITHOUT WRITTEN PERMISSION		CURRENT REV DESC:					
	$\nabla_A = 0$ $\nabla_E = 0$ $\nabla_Z = 0$	DIMENSION UNITS: <b>mm</b> SCALE: <b>10:1</b> GENERAL TOLERANCES (UNLESS SPECIFIED) ANGULAR TOL $\pm 3.0^\circ$						EC NO: 697283 DRWN: GLLI CHK'D: XQZHANG APPR: XQZHANG
DIVISIONAL SYMBOLS	4 PLACES	$\pm$	INITIAL REVISION:		DOCUMENT NUMBER			
	3 PLACES	$\pm$	DRWN: GLLI		DOC TYPE			
	2 PLACES	$\pm 0.15$	APPR: AYIN		DOC PART			
	1 PLACE	$\pm 0.2$	2015/03/18		REVISION			
	0 PLACES	$\pm$	2015/04/08		SD-105300-100			
DRAFT WHERE APPLICABLE MUST REMAIN WITHIN DIMENSIONS			THIRD ANGLE PROJECTION	DRAWING	SERIES	MATERIAL NUMBER	CUSTOMER	SHEET NUMBER
				A3-SIZE	105300		GENERAL MARKET	1 OF 3

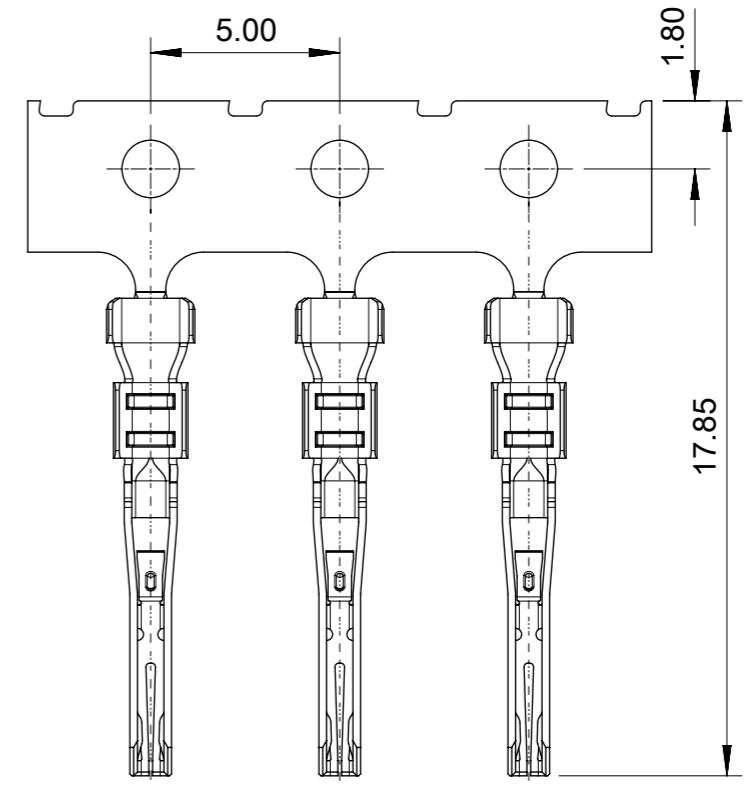
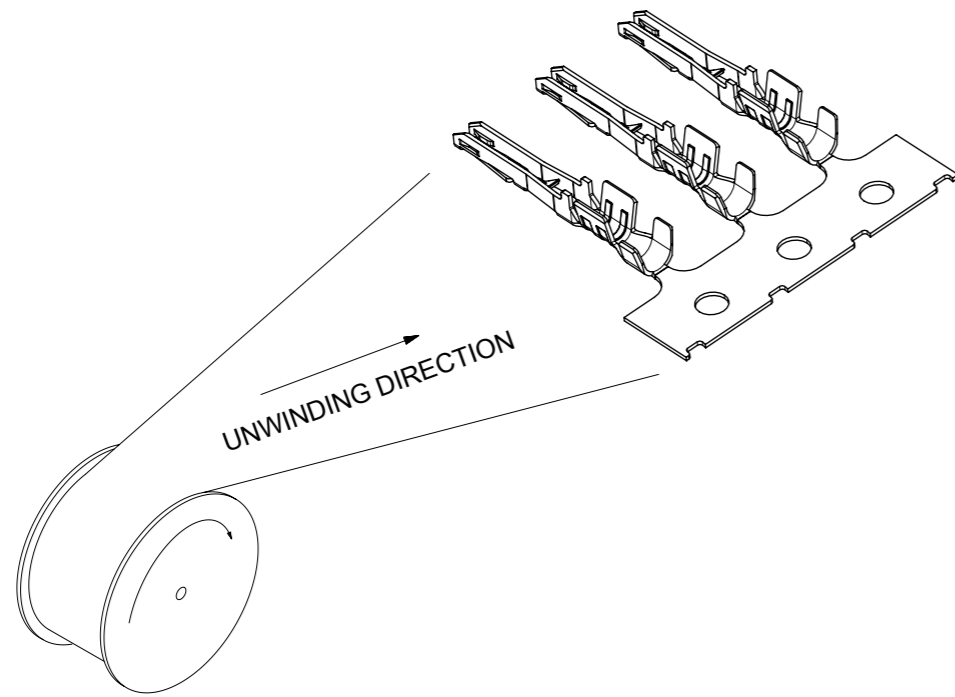


ONLY FOR WIRE OF AWG 20/22



ONLY FOR WIRE OF AWG 24/26

FUNCTIONAL SYMBOLS	THIS DRAWING CONTAINS INFORMATION THAT IS PROPRIETARY TO MOLEX ELECTRONIC TECHNOLOGIES, LLC AND SHOULD NOT BE USED WITHOUT WRITTEN PERMISSION									
	DIMENSION UNITS	SCALE	CURRENT REV DESC:							
$\nabla_A = 0$	mm	10:1	<b>molex</b> CRIMP TERMINAL OF NANO-FIT, GOLD PLATING POWER CONNECTOR PRODUCT CUSTOMER DRAWING							
$\nabla_E = 0$	GENERAL TOLERANCES (UNLESS SPECIFIED)									
$\nabla_P = 0$	ANGULAR TOL $\pm 3.0^\circ$									
DIVISIONAL SYMBOLS	4 PLACES	$\pm$	EC NO: 697283							
	3 PLACES	$\pm$	DRWN: GLLI 2022/02/25							
	2 PLACES	$\pm 0.15$	CHK'D: XQZHANG 2022/03/07							
	1 PLACE	$\pm 0.2$	APPR: XQZHANG 2022/03/07							
	0 PLACES	$\pm$	INITIAL REVISION:							
DRAFT WHERE APPLICABLE MUST REMAIN WITHIN DIMENSIONS		THIRD ANGLE PROJECTION	DRAWING	SERIES	MATERIAL NUMBER	CUSTOMER	DOCUMENT NUMBER	DOC TYPE	DOC PART	REVISION
			A3-SIZE	105300	SD-105300-100	GENERAL MARKET	PSD	000	G1	2 OF 3



PART NUMBER (WITH LUBE)	PART NUMBER (WITHOUT LUBE)	PLATING TYPE	WIRE SIZE(AWG)
N/A	105300-1200	B	24/26
105300-1400	105300-1300	C	
N/A	105300-2200	B	20/22
105300-2400	105300-2300	C	

PLATING SPECIFICATION	
B	GOLD PLATING 0.38 MICRONS MINIMUM ON CONTACT AREA, MATTE TIN 1.25 MICRONS MINIMUM ON CRIMP AREA, UNDER NICKEL PLATING 1.25 MICRONS MINIMUM OVERALL.
C	GOLD PLATING 0.76 MICRONS MINIMUM ON CONTACT AREA, MATTE TIN 1.25 MICRONS MINIMUM ON CRIMP AREA, UNDER NICKEL PLATING 1.25 MICRONS MINIMUM OVERALL.

FUNCTIONAL SYMBOLS	THIS DRAWING CONTAINS INFORMATION THAT IS PROPRIETARY TO MOLEX ELECTRONIC TECHNOLOGIES, LLC AND SHOULD NOT BE USED WITHOUT WRITTEN PERMISSION	CURRENT REV DESC:		<b>molex</b>																
	<table border="1"> <tr> <th>DIMENSION UNITS</th> <th>SCALE</th> </tr> <tr> <td>mm</td> <td>5:1</td> </tr> </table>						DIMENSION UNITS	SCALE	mm	5:1										
DIMENSION UNITS	SCALE																			
mm	5:1																			
DIVISIONAL SYMBOLS	GENERAL TOLERANCES (UNLESS SPECIFIED)	EC NO: 697283		CRIMP TERMINAL OF NANO-FIT, GOLD PLATING POWER CONNECTOR																
	<table border="1"> <tr> <td>ANGULAR TOL</td> <td>± 3.0 °</td> </tr> <tr> <td>4 PLACES</td> <td>±</td> </tr> <tr> <td>3 PLACES</td> <td>±</td> </tr> <tr> <td>2 PLACES</td> <td>± 0.15</td> </tr> <tr> <td>1 PLACE</td> <td>± 0.2</td> </tr> <tr> <td>0 PLACES</td> <td>±</td> </tr> </table>	ANGULAR TOL	± 3.0 °				4 PLACES	±	3 PLACES	±	2 PLACES	± 0.15	1 PLACE	± 0.2	0 PLACES	±	<table border="1"> <tr> <td>DRWN: GLLI</td> <td>2022/02/25</td> </tr> <tr> <td>CHK'D: XQZHANG</td> <td>2022/03/07</td> </tr> <tr> <td>APPR: XQZHANG</td> <td>2022/03/07</td> </tr> </table>		DRWN: GLLI	2022/02/25
ANGULAR TOL	± 3.0 °																			
4 PLACES	±																			
3 PLACES	±																			
2 PLACES	± 0.15																			
1 PLACE	± 0.2																			
0 PLACES	±																			
DRWN: GLLI	2022/02/25																			
CHK'D: XQZHANG	2022/03/07																			
APPR: XQZHANG	2022/03/07																			
DRAFT WHERE APPLICABLE MUST REMAIN WITHIN DIMENSIONS		THIRD ANGLE PROJECTION	DRAWING	SERIES	MATERIAL NUMBER	CUSTOMER	DOCUMENT NUMBER	DOC TYPE	DOC PART	REVISION										
			A3-SIZE	105300	SD-105300-100	GENERAL MARKET	PSD	000	G1	3 OF 3										