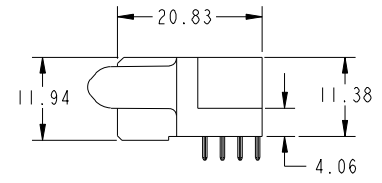
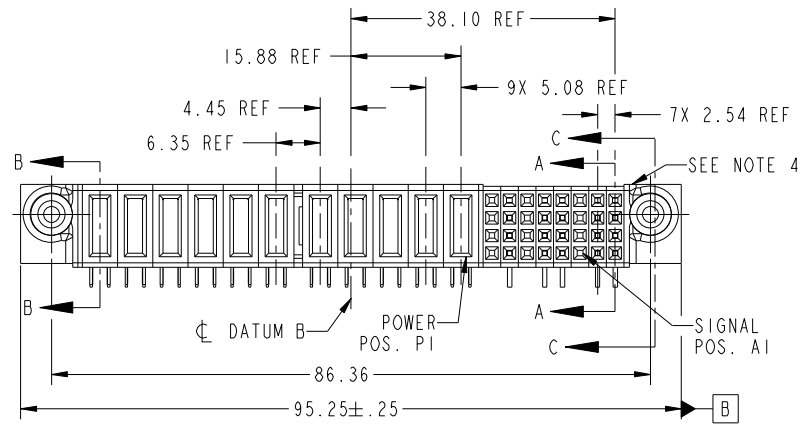
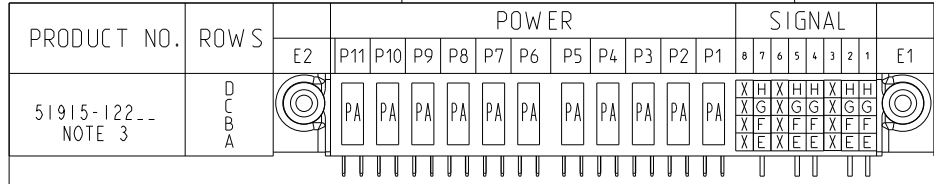


Tous droits strictement reserves. Reproduction ou communication a des tiers interdite sous quelque forme que ce soit sans autorisation écrite du propriétaire. Propriete de c FCI. Droits de reproduction FCI.



All rights strictly reserved. Reproduction or issue to third parties in any form whatever is not permitted without written authority from the proprietor. Property of FCI. Copyright FCI.



CODE	DIM "M" MATING LENGTH	CONTACT TYPE
PA	[1.07]	POWER
H	[N/A]	SIGNAL
G	[N/A]	SIGNAL
F	[N/A]	SIGNAL
E	[N/A]	SIGNAL
X	OMITTED	OMITTED

mat'l code				SEE NOTE 2		tolerances unless otherwise specified		CUSTOMER	
ltr	ecn no.	dr	date	linear	0.X ±0.3	COPY			
A	DG06-0447	JMG	10/20/06	angles	0.XX ±0.13	projection			
					0.XXX ±0.051				
				dr	0° ±2°			title 32s+11p Right Angle Solder Receptacle	
				enr	JM GUO 10/20/06	product family PwrBlade		code 213	
				chr	SALLY LUO 10/20/06	size A		dwg no 51915-122	
				appd	BEER FU 10/20/06	scale 1:1		sheet 1 of 4	
					JOSEPH HSIA 10/20/06				
sheet index	revision sheet	A 1	A 2	A 3	A 4				

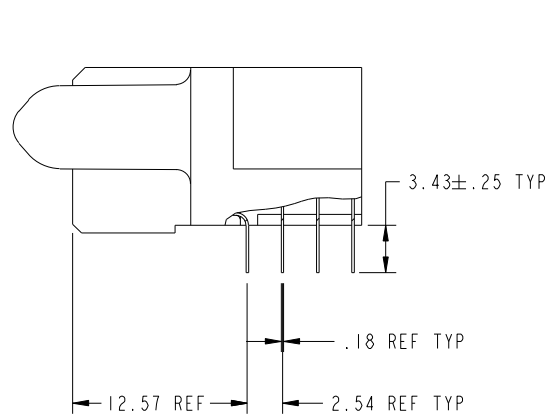
		www.fciconnect.com	
title 32s+11p Right Angle Solder Receptacle		code 213	
product family PwrBlade		dwg no 51915-122	
size A		sheet 1 of 4	
cage code 22526			

Tous droits strictement reserves. Reproduction ou communication a des tiers interdite sous quelque forme que ce soit sans autorisation ecrite du proprietaire. Propriete de c FCI. Droits de reproduction FCI.

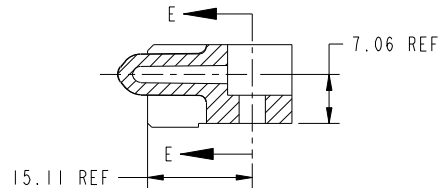


All rights strictly reserved. Reproduction or issue to third parties in any form whatever is not permitted without written authority from the proprietor. Property of FCI. Copyright FCI.

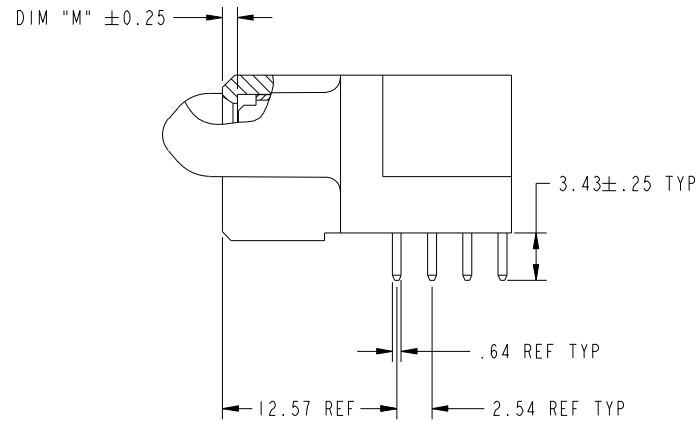
PRODUCT NUMBER
51915-122--
NOTE 3



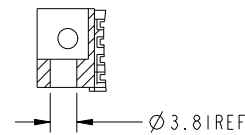
BROKEN-OUT SECTION A-A
SCALE 2:1



SECTION C-C



BROKEN-OUT SECTION B-B
SCALE 2:1



PARTIAL SECTION E-E

mat'l code				SEE NOTE 2		tolerances unless otherwise specified		CUSTOMER		 www.fciconnect.com	
ltr	ecn no.	dr	date	linear	0.X ± 0.3		COPY		 title	32s+1lp	
A					0.XX ± 0.13		projection			Right Angle Solder Receptacle	
				angles	0.XXX ± 0.051		 product family		PwrBlade		
					0° ± 2°		 size		213		
				dr	JM GUO	10/20/06	 scale		A		
				enr	SALLY LUO	10/20/06	1:1		51915-122		
				chr	BEER FU	10/20/06			sheet		
				appd	JOSEPH HSIA	10/20/06			2 of 4		
sheet index		revision sheet									

cage code 22526

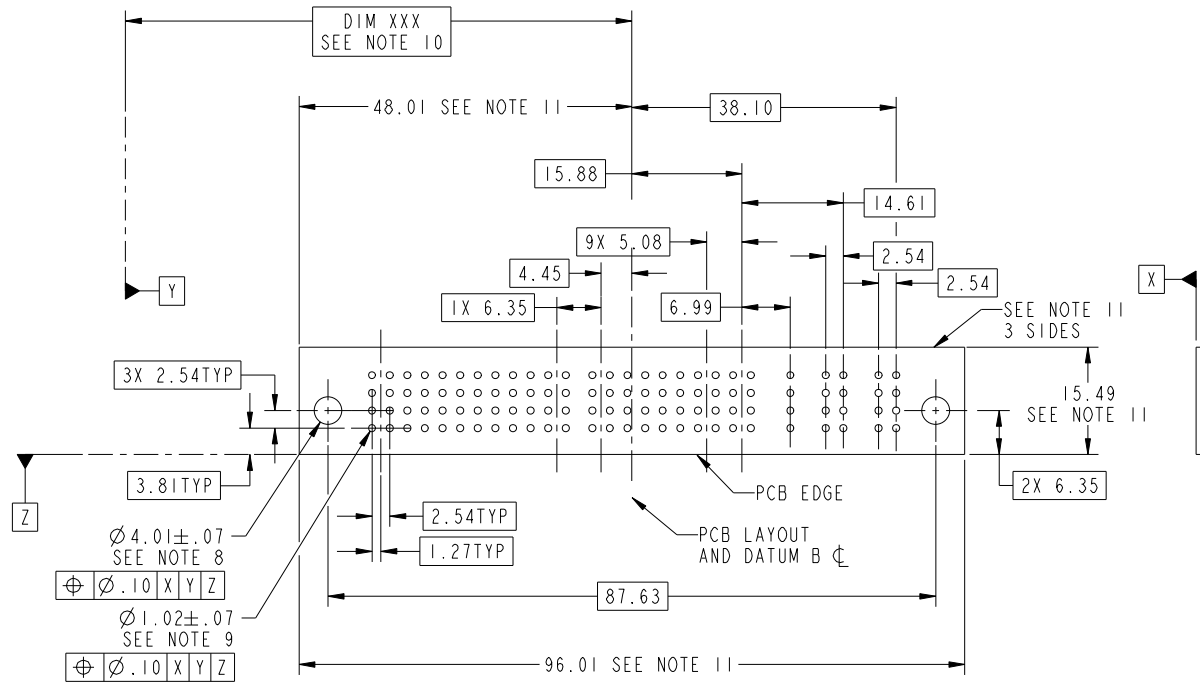
Pro/E

Tous droits strictement reserves. Reproduction ou communication a des tiers interdite sous quelque forme que ce soit sans autorisation ecrite du proprietaire. Propriete de c FCI. Droits de reproduction FCI.



All rights strictly reserved. Reproduction or issue to third parties in any form whatever is not permitted without written authority from the proprietor. Property of FCI. Copyright FCI.

PRODUCT NUMBER
51915-122--
NOTE 3



$\varnothing 4.01 \pm .07$
SEE NOTE 8
 $\varnothing 1.02 \pm .07$
SEE NOTE 9
 $\varnothing .10$ X | Y | Z
 $\varnothing .10$ X | Y | Z

mat'l code		SEE NOTE		tolerances unless otherwise specified		CUSTOMER		FCI	
ltr	ecn no.	dr	date	linear	0.X ± 0.3	COPY		www.fciconnect.com	
A					0.XX ± 0.13	projection		title 32s+11p	
				angles	0.XXX ± 0.051			Right Angle Solder Receptacle	
				dr	0° ± 2°	MIM		product family PwrBlade code 213	
				enrg	JM GUO 10/20/06	scale		size dwg no 213	
				chr	SALLY LUO 10/20/06	1:1		sheet 3 of 4	
				appd	BEER FU 10/20/06			A 51915-122	
					JOSEPH HSIA 10/20/06				
sheet index	revision sheet								

cage code 22526

Pro/E

Tous droits strictement reserves. Reproduction ou communication a des tiers interdite sous quelque forme que ce soit sans autorisation écrite du propriétaire. Propriete de c FCI. Droits de reproduction FCI.

All rights strictly reserved. Reproduction or issue to third parties in any form whatever is not permitted without written authority from the proprietor. Property of FCI. Copyright FCI.



PRODUCT NUMBER
51915-122--
NOTE 3

NOTES:

1. DIMENSIONS AND TOLERANCES ARE IN ACCORDANCE WITH ASME Y14.5M, 1994 UNLESS OTHERWISE SPECIFIED.

CONNECTOR NOTES:

- 2. HOUSING MATERIAL: UL 94 V-0 GLASS FILLED
HIGH-TEMP THERMOPLASTIC
POWER CONTACT MATERIAL: COPPER ALLOY
SIGNAL PIN MATERIAL: COPPER ALLOY
- 3. PLATING:
51915-122,51915-122LF PLATING SPEC. WAS SHOWN IN THE PRINT OF 10064183.
- 4. MANUFACTURER'S NAME, P/N, AND DATE CODE TO APPEAR ON THIS SURFACE.
- 5. PRODUCT SPECIFICATION GS-12-149.
APPLICATION SPECIFICATION BUS-20-067.
- 6. PACKAGED IN TRAYS.

PCB NOTES:

- 7. ALL HOLE DIAMETERS ARE FINISHED HOLE SIZE.
- 8. MOUNTING HOLES, WHERE APPLICABLE, ARE UNPLATED.
- 9. $\varnothing 1.151 \pm 0.025$ DRILLED HOLES PLATED WITH
0.008 MIN SnPb OR Sn OVER 0.03
TO 0.08 Cu PLATING TO ACHIEVE
 $\varnothing 1.02 \pm .07$ HOLE.
- 10. "DIM XXX" TO BE DETERMINED BY THE CUSTOMER.
- 11. CONNECTOR KEEP-OUT ZONE.

mat'l code		SEE NOTE 2		tolerances unless otherwise specified		CUSTOMER		 www.fciconnect.com	
ltr	ecr no.	dr	date	linear	0.X ± 0.3	COPY		title	
A					0.XX ± 0.13	projection		32s+11p	
				angles	0.XXX ± 0.051			Right Angle Solder Receptacle	
				dr	0° ± 2°	MIM		product family PwrBlade code	
				enr	JM GUO 10/20/06			size 213	
				chr	SALLY LUO 10/20/06	scale		dwg no 51915-122 sheet	
				appd	BEER FU 10/20/06	1:1		4 of 4	
					JOSEPH HSIA 10/20/06				
sheet index	revision sheet								

cage code 22526

Pro/E

Mouser Electronics

Authorized Distributor

Click to View Pricing, Inventory, Delivery & Lifecycle Information:

[FCI:](#)

[51915-122LF](#)