

**ebm-papst St. Georgen GmbH & Co. KG**

Hermann-Papst-Str. 1
 D-78112 St. Georgen
 Phone +49 (0) 7724 81-0
 Fax +49 (0) 7724 81-1309
 info2@de.ebmpapst.com
 www.ebmpapst.com

Nominal data

Type	AC 8300 H	
Phase		1~
Nominal voltage	VAC	115
Nominal voltage range	VAC	85 .. 265
Frequency	Hz	50
Speed (rpm)	min ⁻¹	5000
Power consumption	W	8.3
Min. ambient temperature	°C	-20
Max. ambient temperature	°C	75
Air flow	m ³ /h	80
Sound power level	B	6.2
Sound pressure level	dB(A)	48

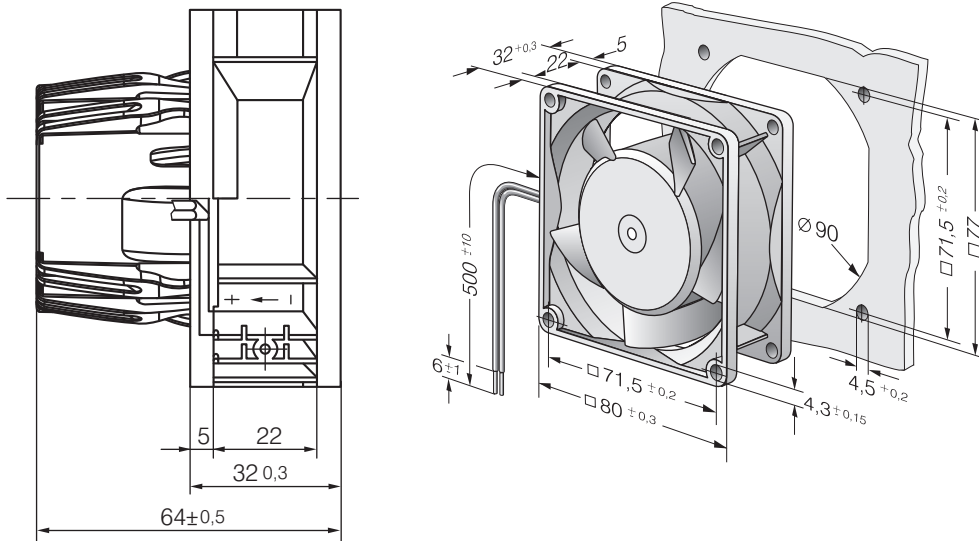
ml = Max. load · me = Max. efficiency · fa = Free air · cs = Customer specification · ce = Customer equipment
 Subject to change



Technical description

General description	Usable with all line voltages between 85 and 265 VAC
Housing material	Glass-fiber reinforced PBTP plastic
Weight	0.325 kg
Dimensions	80 x 80 x 32 mm
Impeller material	Glass-fiber reinforced PA plastic
Airflow direction	Exhaust over struts
Direction of rotation	Clockwise, viewed toward rotor
Storage	Ball bearing
Service life L10 at 40 °C	55000 h
Service life L10 at maximum temperature	25000 h
Cable	With leads AWG 22, TR 64
Locked-rotor protection	Protection against reverse polarity and blocked rotor.
Protection class	IP54
Approval	VDE, CSA, UL, CE, CCC
Option	Open-loop speed control, speed and alarm signal; improved moisture protection or degree of protection IP54

Product drawing



Curves: Air performance

