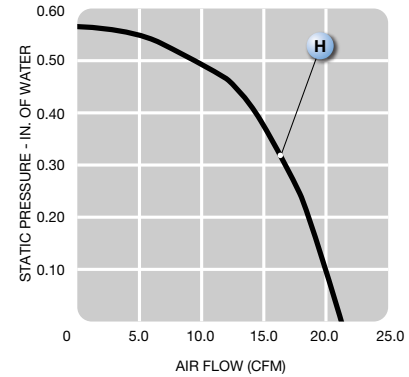
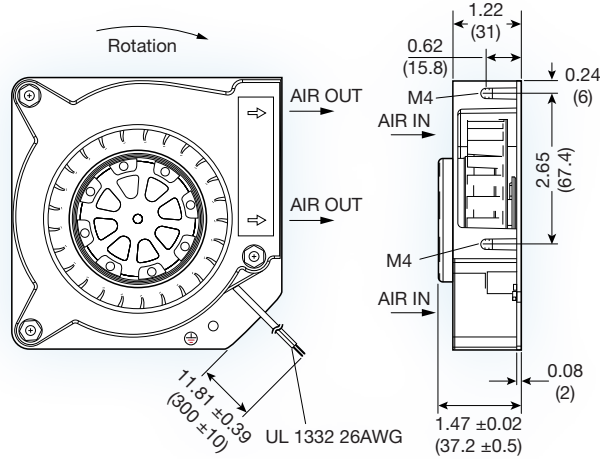


UF90DPB series



(120 x 120 x 37 mm)
4.72 x 4.72 x 1.46 inches



- Features:** single inlet blower
- Operating voltage: 115 or 230 VAC
- Operating temp. -40° ~ 60°C
- Construction: aluminum die cast motor base; UL94V-0 reinforced nylon impeller
- Bearing option: ball bearing
- Motor: shaded pole
- Air Flow: centrifugal
- Connection: UL1332 26AWG lead wires
- Protection: impedance

Model No.	Rated Voltage V	Freq. HZ	Input Power W	Rated Cur. A	Locked Cur. A	Speed RPM	Air Volume		Max. Static Pressure (H ₂ O)		Sound Noise dbA	Weight kg
							M ³ /Min.	CFM	MM	INCH		
UF90DPB12-H1S2A	115	60	18	0.21	0.26	2,700	0.60	21	13	0.50	51	0.66
UF90DPB23-H1S2A	230	60	18	0.10	0.12	2,700	0.60	21	13	0.50	51	0.66

