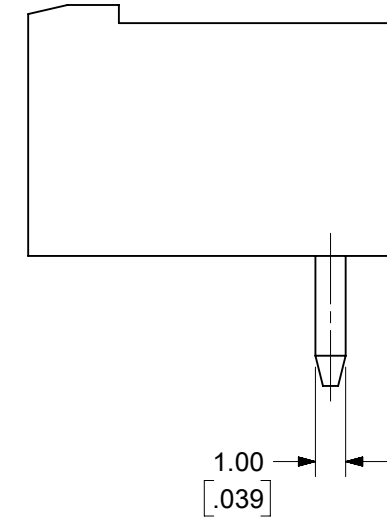
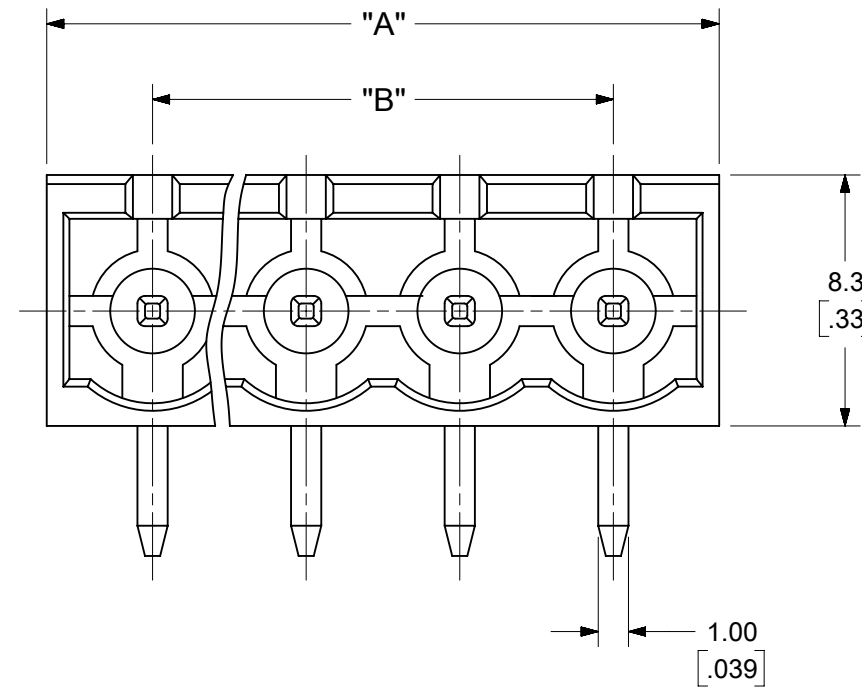
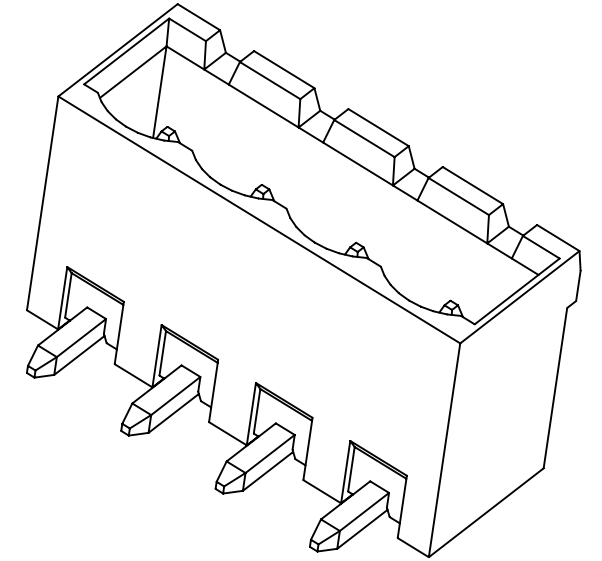
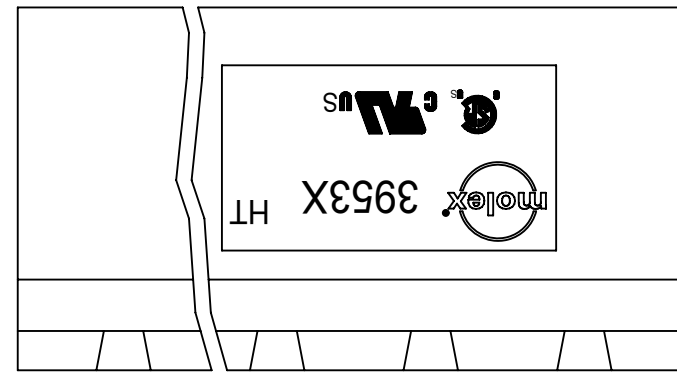
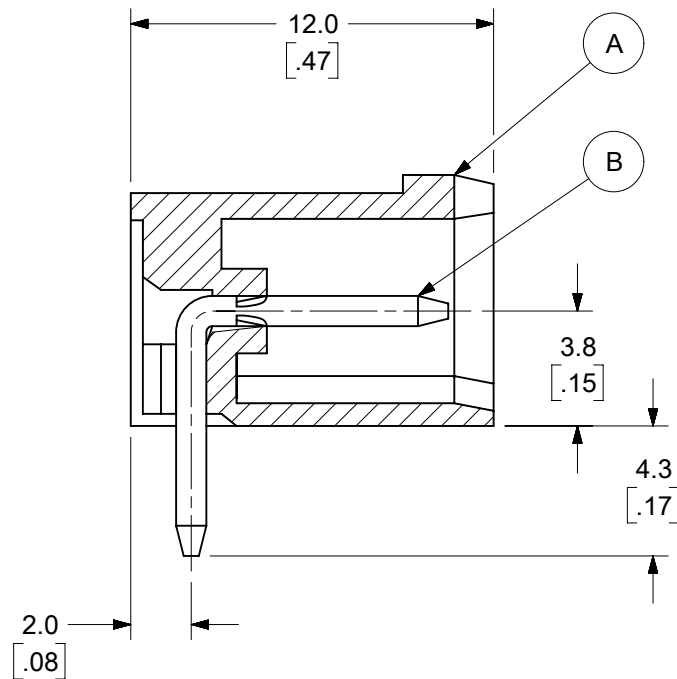


PCB LAYOUT



SPECIFICATIONS:

1. MATERIAL:
 - (A). BODY: POLYAMIDE
 - (B). PIN: BRASS
2. WIRE RANGE: N/A
3. ELECTRICAL RATING: 300V, 18A
4. WIRE STRIP LENGTH: N/A
5. OPERATING TEMPERATURE: -40°C to +115°C
6. MAX TORQUE: N/A
7. INSULATION RESISTANCE: DC 500V, 500M
8. DIELECTRIC WITHSTAND: AC 2500V FOR 1 MINUTE
9. BREAKDOWN VOLTAGE : 4000V
10. $A = (N \times P) + 2.0\text{MM}$
11. $B = (N - 1) \times P$
12. P (PITCH) = 5.08MM (.200").
13. N = NUMBER OF POSITIONS AVAILABLE 2 THROUGH 24
14. PRODUCT SPEC: PS-39500-001
15. DIMS SHOWN ARE FOR REFERENCE ONLY

TOLERANCES			
MM	TOL	INCH	TOL
0-6	±0.25	0-.24	±.010
>6-30	±0.40	.24-1.18	±.016
>30-120	±0.50	1.18-4.76	±.020
>120	±0.80	>4.76	±.031

THIS DRAWING CONTAINS INFORMATION THAT IS PROPRIETARY TO MOLEX ELECTRONIC TECHNOLOGIES, LLC AND SHOULD NOT BE USED WITHOUT WRITTEN PERMISSION											
SYMBOLS		DIMENSION UNITS		SCALE		CURRENT REV DESC: DRAWN PCB LAYOUT					
= 0		MM/INCH		4:1							
= 0		GENERAL TOLERANCES (UNLESS SPECIFIED)									
= 0											
= 0		4 PLACES ± --- ± ---				EC NO: 623382					
= 0		3 PLACES ± --- ± SEE CHART				DRWN: ABENJAMINLW 2019/07/23					
= 0		2 PLACES ± SEE CHART ± SEE CHART				CHK'D: DACHAMMER 2019/09/03					
= 0		1 PLACE ± SEE CHART ± ---				APPR: JFMURPHY 2019/09/26					
= 0		0 PLACES ± --- ± ---				INITIAL REVISION:					
= 0		ANGULAR TOL ± ---				DRWN: LROTHAUS 2006/01/09					
= 0		DRAFT WHERE APPLICABLE MUST REMAIN WITHIN DIMENSIONS				APPR: JPAWLICK 2006/01/10					
= 0		THIRD ANGLE PROJECTION		DRAWING		SERIES		MATERIAL NUMBER		CUSTOMER	
= 0		B-SIZE		39532		SEE SHEET-2		GENERAL MARKET		1 OF 2	

molex

5.08MM, EURO HEADER,
RIGHT ANGLE, HI-TEMP

PRODUCT CUSTOMER DRAWING

DOCUMENT NUMBER	DOC TYPE	DOC PART	REVISION
SD-39532-001	PSD	001	B3

DESCRIPTION	CIRCUIT SIZE	MATERIAL NUMBERS						DIMENSIONAL INFORMATION			
		BLACK									
		100% TIN			30 u" GOLD			DIM. "A"		DIM. "B"	
		PRINTING OPTIONS			PRINTING OPTIONS						
None	10A	11A	None	10A	11A	mm	inch	mm	inch		
5.08 MM, EURO HEADER, RIGHT ANGLE, HIGH TEMP	2	395324002	395324102	395324202	395324502	395324602	395324702	12.16	.479	5.08	.200
5.08 MM, EURO HEADER, RIGHT ANGLE, HIGH TEMP	3	395324003	395324103	395324203	395324503	395324603	395324703	17.24	.679	10.16	.400
5.08 MM, EURO HEADER, RIGHT ANGLE, HIGH TEMP	4	395324004	395324104	395324204	395324504	395324604	395324704	22.32	.879	15.24	.600
5.08 MM, EURO HEADER, RIGHT ANGLE, HIGH TEMP	5	395324005	395324105	395324205	395324505	395324605	395324705	27.40	1.079	20.32	.800
5.08 MM, EURO HEADER, RIGHT ANGLE, HIGH TEMP	6	395324006	395324106	395324206	395324506	395324606	395324706	32.48	1.279	25.40	1.000
5.08 MM, EURO HEADER, RIGHT ANGLE, HIGH TEMP	7	395324007	395324107	395324207	395324507	395324607	395324707	37.56	1.479	30.48	1.200
5.08 MM, EURO HEADER, RIGHT ANGLE, HIGH TEMP	8	395324008	395324108	395324208	395324508	395324608	395324708	42.64	1.679	35.56	1.400
5.08 MM, EURO HEADER, RIGHT ANGLE, HIGH TEMP	9	395324009	395324109	395324209	395324509	395324609	395324709	47.72	1.879	40.64	1.600
5.08 MM, EURO HEADER, RIGHT ANGLE, HIGH TEMP	10	395324010	395324110	395324210	395324510	395324610	395324710	52.80	2.079	45.72	1.800
5.08 MM, EURO HEADER, RIGHT ANGLE, HIGH TEMP	11	395324011	395324111	395324211	395324511	395324611	395324711	57.88	2.279	50.80	2.000
5.08 MM, EURO HEADER, RIGHT ANGLE, HIGH TEMP	12	395324012	395324112	395324212	395324512	395324612	395324712	62.96	2.479	55.88	2.200
5.08 MM, EURO HEADER, RIGHT ANGLE, HIGH TEMP	13	395324013	395324113	395324213	395324513	395324613	395324713	68.04	2.679	60.96	2.400
5.08 MM, EURO HEADER, RIGHT ANGLE, HIGH TEMP	14	395324014	395324114	395324214	395324514	395324614	395324714	73.12	2.879	66.04	2.600
5.08 MM, EURO HEADER, RIGHT ANGLE, HIGH TEMP	15	395324015	395324115	395324215	395324515	395324615	395324715	78.20	3.079	71.12	2.800
5.08 MM, EURO HEADER, RIGHT ANGLE, HIGH TEMP	16	395324016	395324116	395324216	395324516	395324616	395324716	83.28	3.279	76.20	3.000
5.08 MM, EURO HEADER, RIGHT ANGLE, HIGH TEMP	17	395324017	395324117	395324217	395324517	395324617	395324717	88.36	3.479	81.28	3.200
5.08 MM, EURO HEADER, RIGHT ANGLE, HIGH TEMP	18	395324018	395324118	395324218	395324518	395324618	395324718	93.44	3.679	86.36	3.400
5.08 MM, EURO HEADER, RIGHT ANGLE, HIGH TEMP	19	395324019	395324119	395324219	395324519	395324619	395324719	98.52	3.879	91.44	3.600
5.08 MM, EURO HEADER, RIGHT ANGLE, HIGH TEMP	20	395324020	395324120	395324220	395324520	395324620	395324720	103.60	4.079	96.52	3.800
5.08 MM, EURO HEADER, RIGHT ANGLE, HIGH TEMP	21	395324021	395324121	395324221	395324521	395324621	395324721	108.68	4.279	101.60	4.000
5.08 MM, EURO HEADER, RIGHT ANGLE, HIGH TEMP	22	395324022	395324122	395324222	395324522	395324622	395324722	113.76	4.479	106.68	4.200
5.08 MM, EURO HEADER, RIGHT ANGLE, HIGH TEMP	23	395324023	395324123	395324223	395324523	395324623	395324723	118.84	4.679	111.76	4.400
5.08 MM, EURO HEADER, RIGHT ANGLE, HIGH TEMP	24	395324024	395324124	395324224	395324524	395324624	395324724	123.92	4.879	116.84	4.600

TOLERANCES			
MM	TOL	INCH	TOL
0-6	±0.25	0-.24	±.010
>6-30	±0.40	.24-1.18	±.016
>30-120	±0.50	1.18-4.76	±.020
>120	±0.80	>4.76	±.031

SYMBOLS	THIS DRAWING CONTAINS INFORMATION THAT IS PROPRIETARY TO MOLEX ELECTRONIC TECHNOLOGIES, LLC AND SHOULD NOT BE USED WITHOUT WRITTEN PERMISSION		
	DIMENSION UNITS	SCALE	CURRENT REV DESC: DRAWN PCB LAYOUT
▽ = 0	MM/INCH	4:1	molex 5.08MM, EURO HEADER, RIGHT ANGLE, HI-TEMP
▽ = 0	GENERAL TOLERANCES (UNLESS SPECIFIED)		
▽ = 0	MM	INCH	EC NO: 623382 DRWN: ABENJAMINLW 2019/07/23 CHK'D: DACHAMMER 2019/09/03 APPR: JFMURPHY 2019/09/26
▽ = 0	4 PLACES ± --- ± ---	3 PLACES ± --- ± ---	
▽ = 0	2 PLACES ± --- ± ---	1 PLACE ± --- ± ---	INITIAL REVISION: DRWN: LROTHAUS 2006/01/09 APPR: JPAWLICK 2006/01/10
▽ = 0	0 PLACES ± --- ± ---	ANGULAR TOL ± ---	
▽ = 0	DRAFT WHERE APPLICABLE MUST REMAIN WITHIN DIMENSIONS		THIRD ANGLE PROJECTION
▽ = 0	DRAWING		SERIES
B-SIZE		39532	MATERIAL NUMBER
SEE TABLE		CUSTOMER	REVISION
GENERAL MARKET		PSD	001
2 OF 2		SD-39532-001	