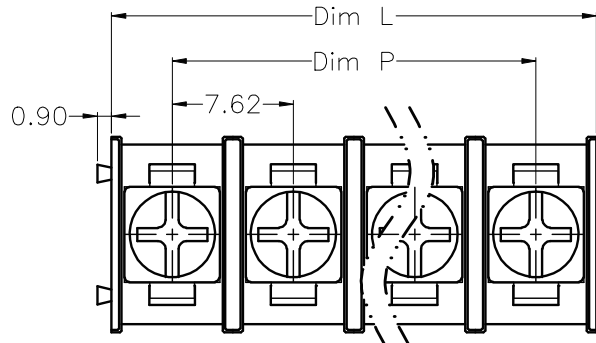


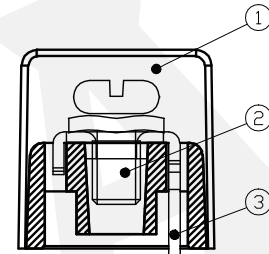
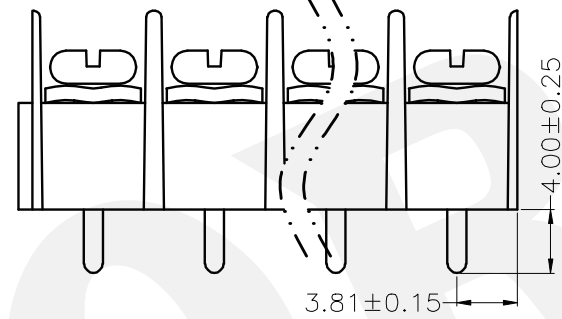
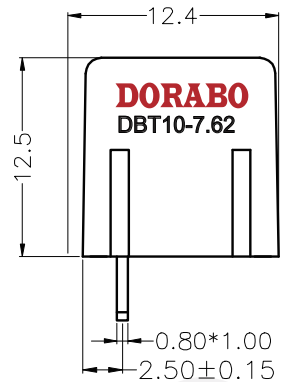
REVISION RECORD				
REV	ECN	DESCRIPTION	DRFT	DATE



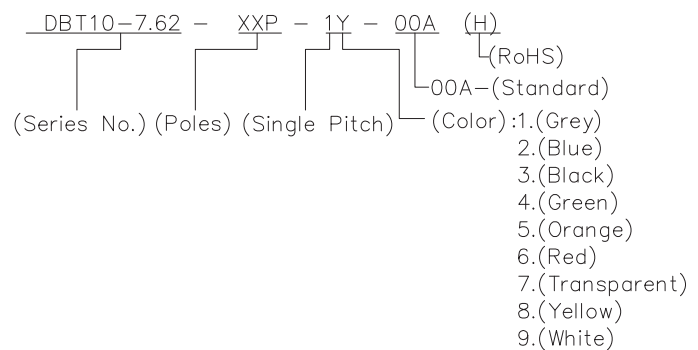
NOTES1:
 UL Standard
 1. Rated voltage/current : 300V / 15A
 2. Torque value : M3 , 4.43Lb.in
 3. Wire range : 22~14AWG

NOTES2:
 1. Dimension shall be interpreted per ASME Y14.5-2009
 2. Pitch : 7.62mm, Poles : N=02~26P
 3. Withstanding voltage : AC1600V/1Min
 4. Operating temperature: -40°C~+105°C
 5. Undimensioned tolerances:

Pitch range in mm		Nominal dimension range in mm						0.1/10
TO 6	Over 6 TO 10	Over 10 TO 24	Over 30 TO 60	Over 60 TO 100	Over 100 TO 150	Over 150	±2°	
±0.15	±0.20	±0.30	±0.30	±0.50	±0.70	±1.00	±1.30	

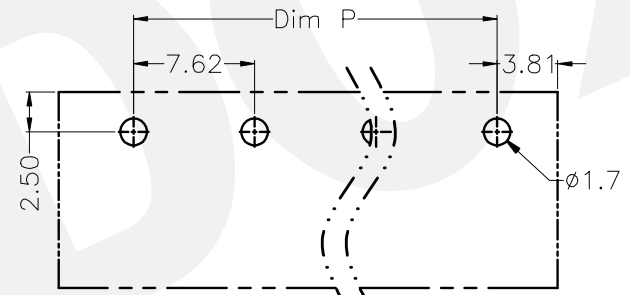


6. RoHS Compliance



N=Number of Poles
 Dim P=(N-1)x7.62
 Dim L=Nx7.62

Poles	Dim	Dim P	Dim L
2-6P	±0.10	±0.15	±0.15
7-12P	±0.20	±0.20	±0.20
13-18P	±0.25	±0.30	±0.30
19-24P	±0.30	±0.40	±0.40



P.C.B.LAYUOT

DETACHED LISTS	PART NO.:	/		
	APPD:	/		
	CHKD:	/		
	DRFT:	/		
	THIRD ANGLE PROJECTION		DRAWING NO.: / SHEET 1/1	
NAME: DORABO 慈溪市地博电子有限公司 CIXI DORABO ELECTRONICS CO.,LTD		TITLE: CUSTOMER DRAWING REV / DO / SCALE: 1:1		
DO NOT SCALE DRAWING		SCALE: 1:1		