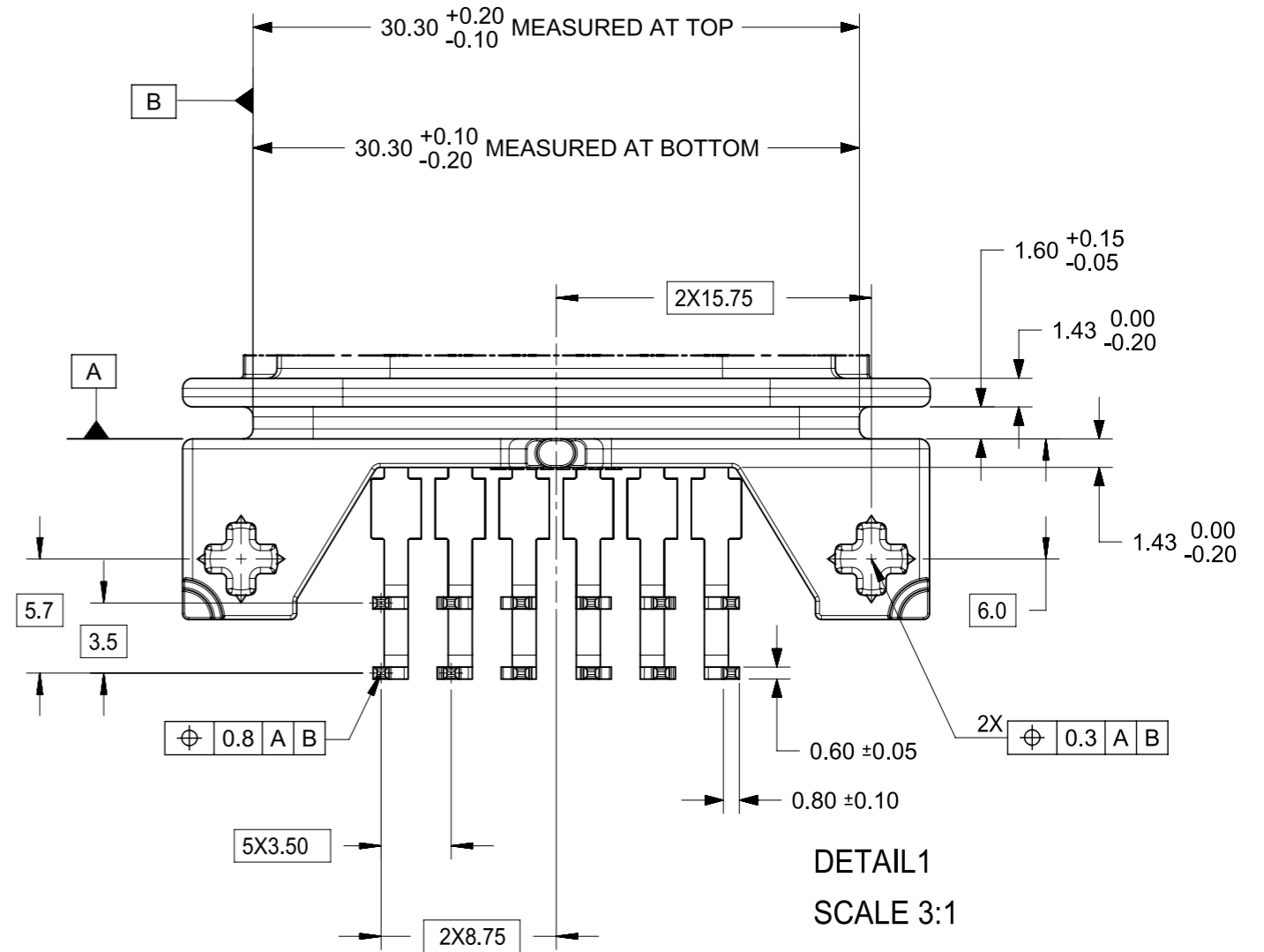
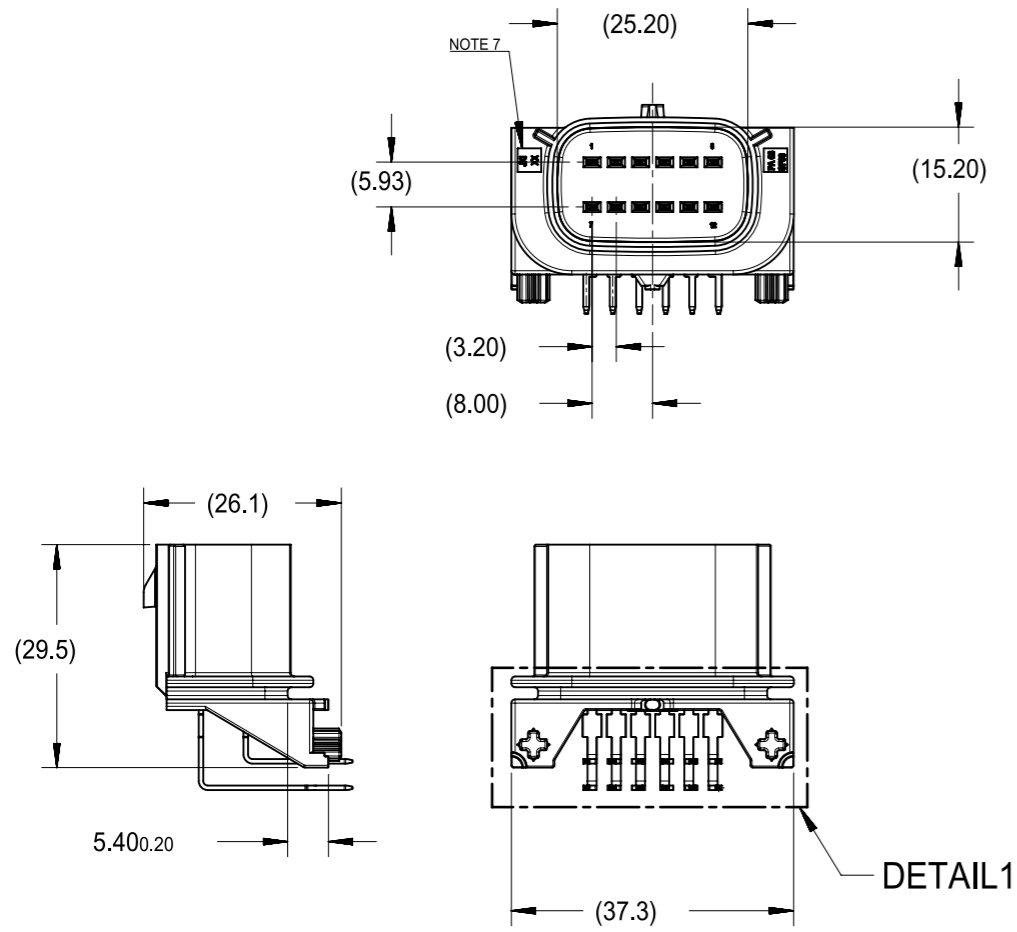


NOTES:

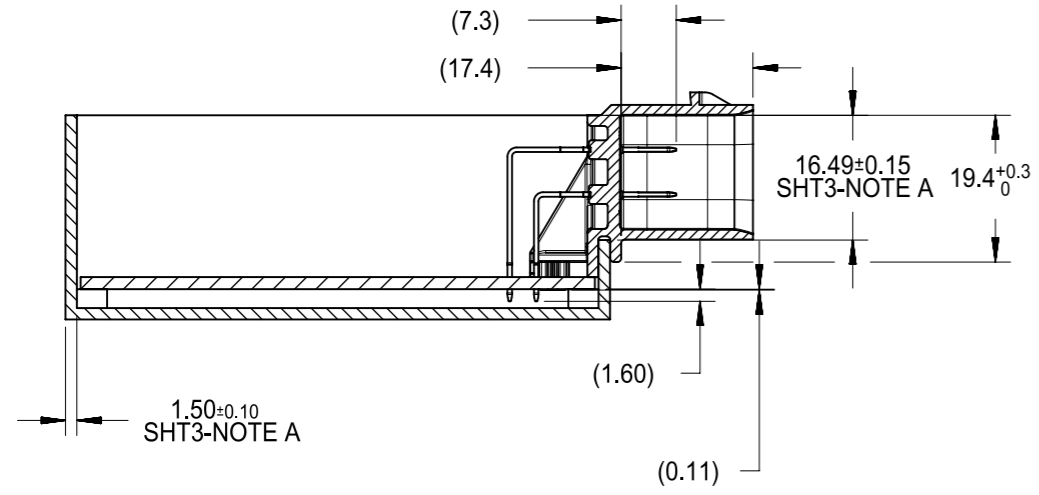
1. MATERIAL
  - A) HEADER HOUSING: HB RATED 30% GLASS FILLED NYLON
  - B) HEADER TERMINAL: BRASS
2. PLATING  
POST-PLATED TIN 1 MICRON MINIMUM
3. HEADER TERMINALS WILL NOT HAVE BARE EDGES
4. PRODUCT WILL COMPLY WITH PS-36783-001
5. HEADER MATES WITH SERIES 36792
6. PCB THICKNESS CONSIDERED 1.6MM
7. CAVITY NUMBER WILL BE IDENTIFIED ON HEADER, LOCATION IS AS SHOWN
8. MANUFACTURING DATE CODE WILL BE IDENTIFIED ON BAR CODE LABEL SHIPPED AGAINST EACH ORDER. PARTS WILL BE TRACED AGAINST THIS
9. TRUE POSITION MEASUREMENTS FOR SOLDER TAIL WILL BE PROVIDED DURING INITIAL PPAP SUBMISSION. ONGOING THIS WILL BE CHECKED WITH GAUGE
10. ALL DIMENSIONS SHOWN ARE APPLICABLE AS RECEIVED INTO CUSTOMER PLACE. MOLEX OWNS RESPONSIBILITY FOR HEADER AS SHIPPED FROM MOLEX, ASSEMBLY OF HEADER ON TO CONTROL UNIT ALONG WITH ITS FUNCTIONALITY COMES UNDER CUSTOMER SCOPE.
11. COMPLY WITH PACKING SPECIFICATION PK-36783-001
12. PRODUCT TOOLING STATUS - PRODUCTION TOOLING AVAILABLE FOR 12 CIRCUIT ONLY (SEE TABLE A).

THIS DRAWING CONTAINS INFORMATION THAT IS PROPRIETARY TO MOLEX ELECTRONIC TECHNOLOGIES, LLC AND SHOULD NOT BE USED WITHOUT WRITTEN PERMISSION															
<b>QUALITY SYMBOLS</b> 	2017/10/17 2017/11/28 EC NO: 168591 DRWN: RGV CHK'D: APPR: VUTTARKAR	GENERAL TOLERANCES (UNLESS SPECIFIED)		DIMENSION UNITS	SCALE	 MX120G DUAL ROW 3.2/3.5 HEADER ASSY SEALED SYSTEM PRODUCT CUSTOMER DRAWING									
		ANGULAR TOL ± °		mm	1:1										
		4 PLACES ±	3 PLACES ±	DRWN BY	DATE										
		3 PLACES ±	2 PLACES ±	STHM01	2012/07/20										
		1 PLACE ±	0 PLACES ±	CHK'D BY	DATE	SERIES: 36783 MATERIAL NUMBER: SEE TABLE A & B CUSTOMER: GENERAL MARKET									
		DRAFT WHERE APPLICABLE MUST REMAIN WITHIN DIMENSIONS		APPR BY	DATE										
				STHM01	2012/07/20	DRAWING SIZE		THIRD ANGLE PROJECTION							
						A3					DOCUMENT NUMBER		DOC TYPE	DOC PART	SHEET NUMBER
								SD-36783-004		PSD	001	1 OF 5			

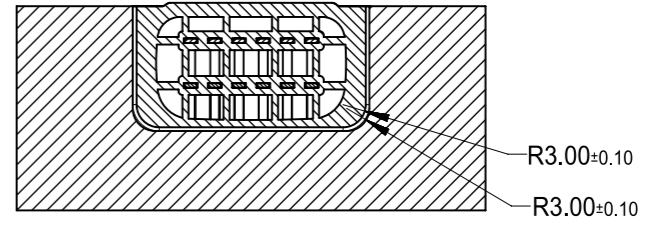
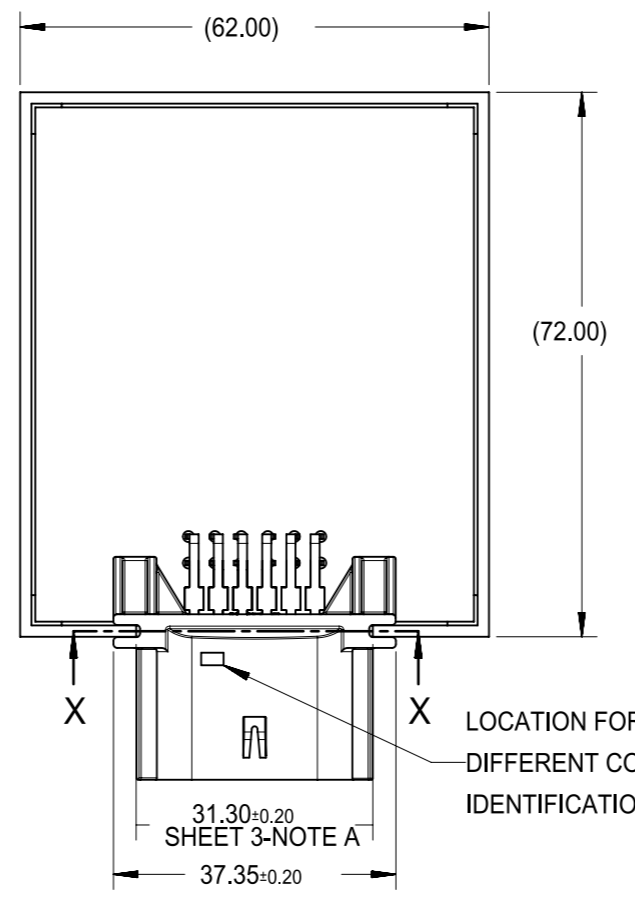
12CKT HEADER DIMENSIONS DETAILS- SEE BELOW IN SHEET 2 OF 4



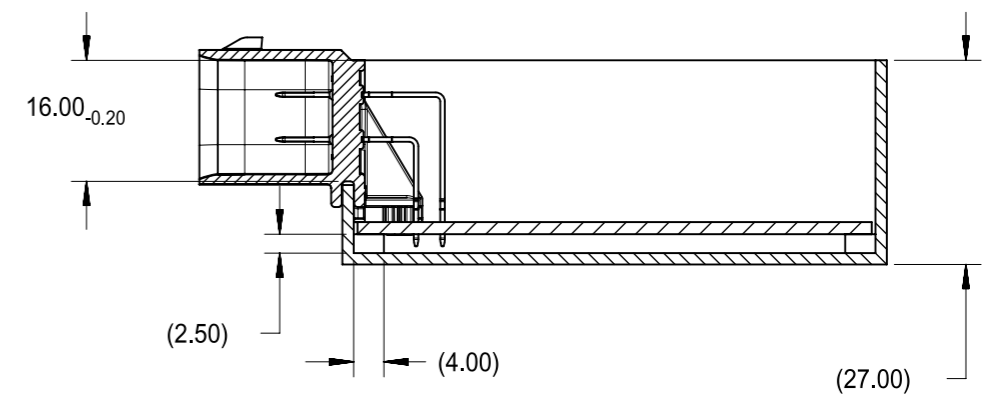
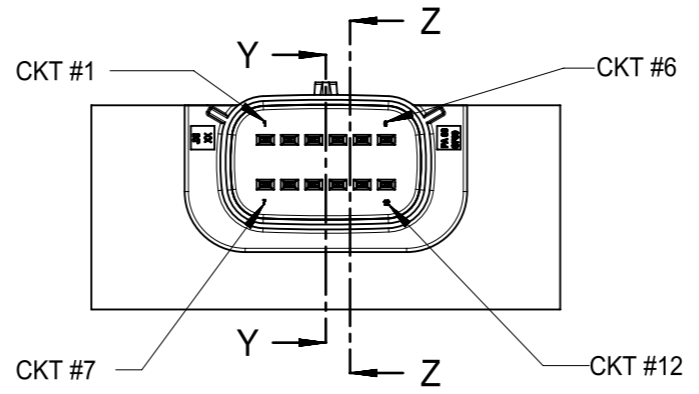
THIS DRAWING CONTAINS INFORMATION THAT IS PROPRIETARY TO MOLEX ELECTRONIC TECHNOLOGIES, LLC AND SHOULD NOT BE USED WITHOUT WRITTEN PERMISSION												
<b>QUALITY SYMBOLS</b> ▽ = 0 ▽ = 0 ▽ = 0 ▽ = 0 ▽ = 0 ▽ = 0 ▽ = 0 ▽ = 0	2017/10/17	2017/11/28	GENERAL TOLERANCES (UNLESS SPECIFIED)			DIMENSION UNITS	SCALE					
	2017/10/17	2017/11/28	ANGULAR TOL ± °			mm	1:1					
	EC NO: 168591 DRWN: RGV CHK'D: APPR: VUTTARKAR	4 PLACES	±	4 PLACES ±			DRWN BY	DATE	MX120G DUAL ROW 3.2/3.5 HEADER ASSY SEALED SYSTEM			
		3 PLACES	±	3 PLACES ±			STHM01	2012/07/20				
		2 PLACES	±	2 PLACES ±			CHK'D BY	DATE				
		1 PLACE	±	1 PLACE ±			CHKD BY	DATE				
		0 PLACES	±	0 PLACES ±			APPR BY	DATE				
	DRAFT WHERE APPLICABLE MUST REMAIN WITHIN DIMENSIONS			DRAFT WHERE APPLICABLE MUST REMAIN WITHIN DIMENSIONS			DRAWING SIZE	THIRD ANGLE PROJECTION	PRODUCT CUSTOMER DRAWING			
	F1			F1			A3	THIRD ANGLE PROJECTION	SERIES	MATERIAL NUMBER	CUSTOMER	
	F1			F1			A3	THIRD ANGLE PROJECTION	36783	SEE TABLE A & B	GENERAL MARKET	
F1			F1			A3	THIRD ANGLE PROJECTION	DOCUMENT NUMBER		DOC TYPE	DOC PART	SHEET NUMBER
F1			F1			A3	THIRD ANGLE PROJECTION	SD-36783-004		PSD	001	2 OF 5



SECTION Y-Y



SECTION X-X



SECTION Z-Z

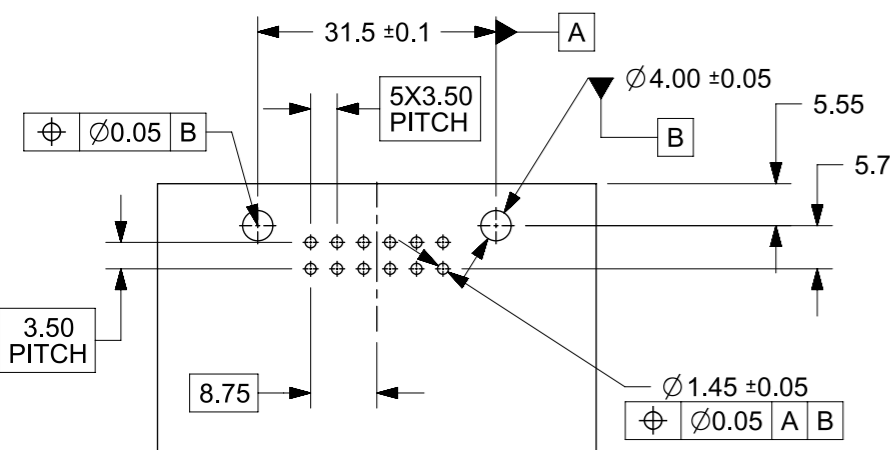
NOTE A  
 - ALL THESE DIMENSIONS ARE BOX DIMENSIONS TOL. OF THESE ARE CONSIDERED AS GENERAL TOL. AS MENTIONED AGAINST THE DIMENSIONS.

THIS DRAWING CONTAINS INFORMATION THAT IS PROPRIETARY TO MOLEX ELECTRONIC TECHNOLOGIES, LLC AND SHOULD NOT BE USED WITHOUT WRITTEN PERMISSION										
QUALITY SYMBOLS	2017/10/17	2017/11/28	GENERAL TOLERANCES (UNLESS SPECIFIED)		DIMENSION UNITS	SCALE				
			ANGULAR TOL ± °		mm	1:1				
▽ = 0	EC NO: 168591 DRWN: RGV CHK'D: REV APPR: VUTTARKAR	F1	4 PLACES ±	°	DRWN BY	DATE	MX120G DUAL ROW 3.2/3.5 HEADER ASSY SEALED SYSTEM			
▽ = 0			3 PLACES ±	°	STHM01	2012/07/20				
▽ = 0			2 PLACES ±	°	CHK'D BY	DATE	PRODUCT CUSTOMER DRAWING			
▽ = 0			1 PLACE ±	°	CHKD BY	DATE				
▽ = 0			0 PLACES ±	°	APPR BY	DATE	SERIES	MATERIAL NUMBER	CUSTOMER	
▽ = 0			DRAFT WHERE APPLICABLE MUST REMAIN WITHIN DIMENSIONS		DRAWING SIZE	THIRD ANGLE PROJECTION	36783	SEE TABLE A & B	GENERAL MARKET	
▽ = 0			A3		DOCUMENT NUMBER		DOC TYPE	DOC PART	SHEET NUMBER	
					SD-36783-004		PSD	001	3 OF 5	

TABLE A

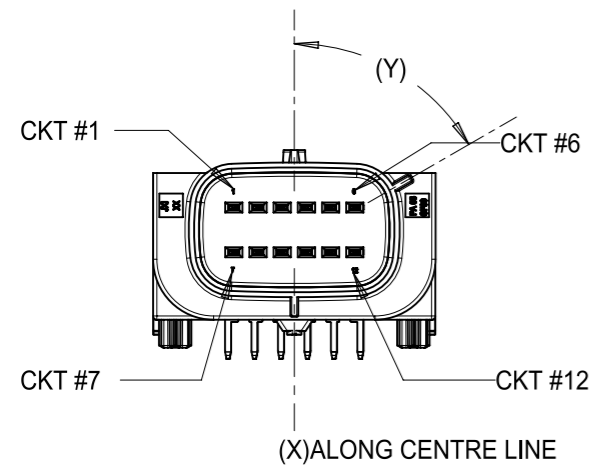
PART #	CIRCUIT SIZE	HEADER HOUSING COLOUR	COLOR MARK IDENTIFICATION	KEYING DIMENSION		STATUS	HEADER HOUSING QTY	HEADER TERMINAL QTY
				(X)	(Y)			
367830401	4	BLACK	-	40°	40°	NOT TOOLED	1	4
367830402	4		BROWN	40°	40°			
367830403	4		RED	40°	40°			
367830404	4		GREEN	40°	40°			
367830405	4		GREY	40°	40°			
367830406	4		BLUE	40°	40°			
367830407	4		YELLOW	40°	40°			
367830408	4		WHITE	40°	40°			
367830601	6	BLACK	-	40°	40°	NOT TOOLED	1	6
367830602	6		BROWN	40°	40°			
367830603	6		RED	40°	40°			
367830604	6		GREEN	40°	40°			
367830605	6		GREY	40°	40°			
367830606	6		BLUE	40°	40°			
367830607	6		YELLOW	40°	40°			
367830608	6		WHITE	40°	40°			
367830801	8	BLACK	-	60°	60°	NOT TOOLED	1	8
367830802	8		BROWN	60°	60°			
367830803	8		RED	60°	60°			
367830804	8		GREEN	60°	60°			
367830805	8		GREY	60°	60°			
367830806	8		BLUE	60°	60°			
367830807	8		YELLOW	60°	60°			
367830808	8		WHITE	60°	60°			

PART #	CIRCUIT SIZE	HEADER HOUSING COLOUR	COLOR MARK IDENTIFICATION	KEYING DIMENSION		STATUS	HEADER HOUSING QTY	HEADER TERMINAL QTY
				(X)	(Y)			
367831001	10	BLACK	-	60°	60°	NOT TOOLED	1	10
367831002	10		BROWN	60°	60°			
367831003	10		RED	60°	60°			
367831004	10		GREEN	60°	60°			
367831005	10		GREY	60°	60°			
367831006	10		BLUE	60°	60°			
367831007	10		YELLOW	60°	60°			
367831008	10		WHITE	60°	60°			
367831201	12	BLACK	-	60°	60°	TOOLED	1	12
367831202	12		BROWN	60°	60°			
367831203	12		RED	60°	60°			
367831204	12		GREEN	60°	60°			
367831205	12		GREY	60°	60°			
367831206	12		BLUE	60°	60°			
367831207	12		YELLOW	60°	60°			
367831208	12		WHITE	60°	60°			
367831209	12		ORANGE	60°	60°			
367831210	12		VIOLET	60°	60°			
367831211	12		PINK	60°	60°			

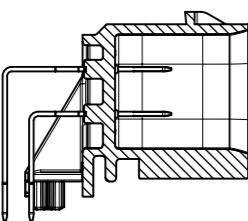
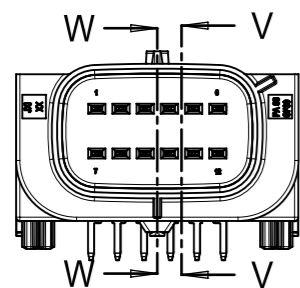


PCB LAYOUT  
(12 CKT HEADER ONLY)

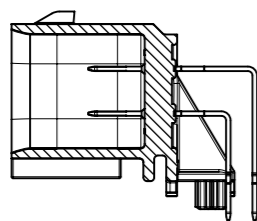
THIS DRAWING CONTAINS INFORMATION THAT IS PROPRIETARY TO MOLEX ELECTRONIC TECHNOLOGIES, LLC AND SHOULD NOT BE USED WITHOUT WRITTEN PERMISSION										
QUALITY SYMBOLS	EC NO: 168591 DRWN: RGV CHK'D: APPR: VUTTARKAR	2017/10/17 2017/11/28	GENERAL TOLERANCES (UNLESS SPECIFIED)		DIMENSION UNITS	SCALE				
			ANGULAR TOL ± °		mm	1:1				
▽A = 0	DRAFT WHERE APPLICABLE MUST REMAIN WITHIN DIMENSIONS		4 PLACES ±	STHM01	DATE		MX120G DUAL ROW 3.2/3.5 HEADER ASSY SEALED SYSTEM			
▽E = 0			3 PLACES ±	CHK'D BY	DATE					
▽F = 0			2 PLACES ±	CHKD BY	DATE		PRODUCT CUSTOMER DRAWING			
▽ = 0			1 PLACE ±	APPR BY	DATE					
▽C = 0			0 PLACES ±	STHM01	2012/07/20		SERIES	MATERIAL NUMBER	CUSTOMER	
⊗ = 0			DRAWING SIZE		THIRD ANGLE PROJECTION		36783	SEE TABLE A & B	GENERAL MARKET	
■ = 0	A3				DOCUMENT NUMBER		DOC TYPE	DOC PART	SHEET NUMBER	
▽ = 0	F1	REV			SD-36783-004		PSD	001	4 OF 5	



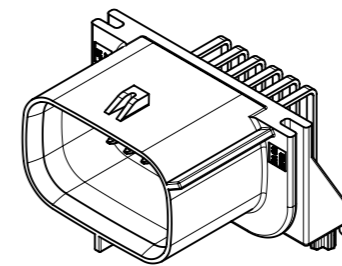
12 CKT - VIEW ONLY FOR P/N 367831213 (SEE NOTE B)



SECTION W-W



SECTION V-V



ISOMETRIC VIEW  
P/N 367831213

TABLE B

PART #	CIRCUIT SIZE	HEADER HOUSING COLOUR	COLOR MARK IDENTIFICATION	KEYING DIMENSION		STATUS	HEADER HOUSING QTY	HEADER TERMINAL QTY
				(X)	(Y)			
367831212	12	GREY COLOUR	-	60°	60°	NOT TOOLED	1	12
367831213	12			0° (ALONG CENTRE LINE)	60°			

NOTE B:

1. P/N 367831212 IS AS SAME AS 367831201 WITH THE GREY COLOUR HOUSING.
2. P/N 367831213 IS SAME AS P/N 367831201 WITH DIFFERENT KEY CODING (X)-0° ALONG CENTRE LINE , (Y)-60° AND WITH GREY COLOUR HOUSING.
3. FOR P/N 367831213 KEY CODE (X)-0° ALONG CENTRE LINE IS ALIGNED TO THE BOTTOM SIDE.
4. ALL OTHER DIMENSIONS FOR P/N 367831213 WILL REMAIN SAME AS PER P/N 367831201.

THIS DRAWING CONTAINS INFORMATION THAT IS PROPRIETARY TO MOLEX ELECTRONIC TECHNOLOGIES, LLC AND SHOULD NOT BE USED WITHOUT WRITTEN PERMISSION									
QUALITY SYMBOLS	2017/10/17	2017/11/28	GENERAL TOLERANCES (UNLESS SPECIFIED)		DIMENSION UNITS	SCALE			
			ANGULAR TOL ± °		mm	1:1			
▽A = 0	EC NO: 168591 DRWN: RGV CHK'D: APPR: VUTTARKAR	REV: F1	4 PLACES ±	°	DRWN BY	DATE	MX120G DUAL ROW 3.2/3.5 HEADER ASSY SEALED SYSTEM		
▽E = 0			3 PLACES ±	STHM01	2012/07/20				
▽F = 0			2 PLACES ±	CHK'D BY	DATE	PRODUCT CUSTOMER DRAWING			
▼ = 0			1 PLACE ±	CHKD BY	DATE				
▽C = 0			0 PLACES ±	APPR BY	DATE	SERIES	MATERIAL NUMBER	CUSTOMER	
⊠ = 0			DRAFT WHERE APPLICABLE MUST REMAIN WITHIN DIMENSIONS		DRAWING SIZE	THIRD ANGLE PROJECTION	36783	SEE TABLE A & B	GENERAL MARKET
■ = 0			A3		DOCUMENT NUMBER		DOC TYPE	DOC PART	SHEET NUMBER
▽ = 0					SD-36783-004		PSD	001	5 OF 5