

THIS DRAWING IS UNPUBLISHED.

RELEASED FOR PUBLICATION

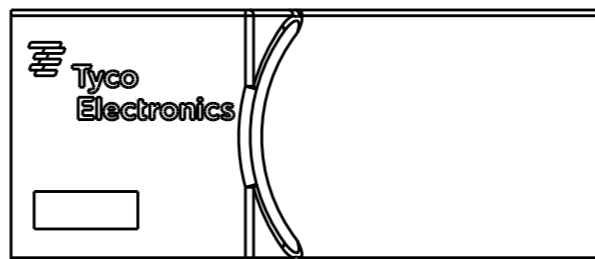
20

© COPYRIGHT 20 BY -

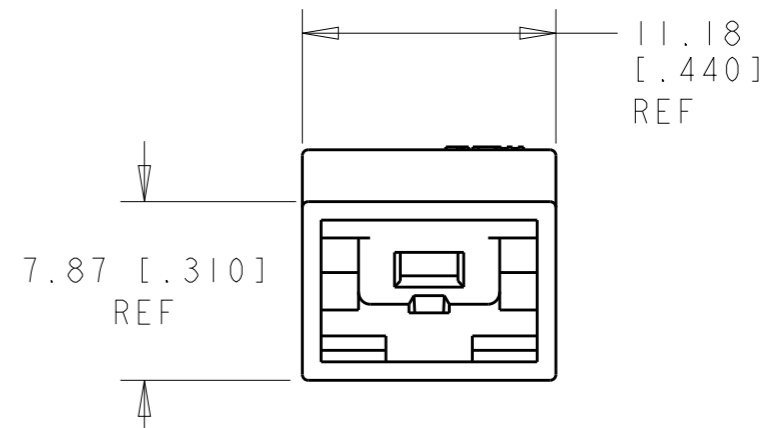
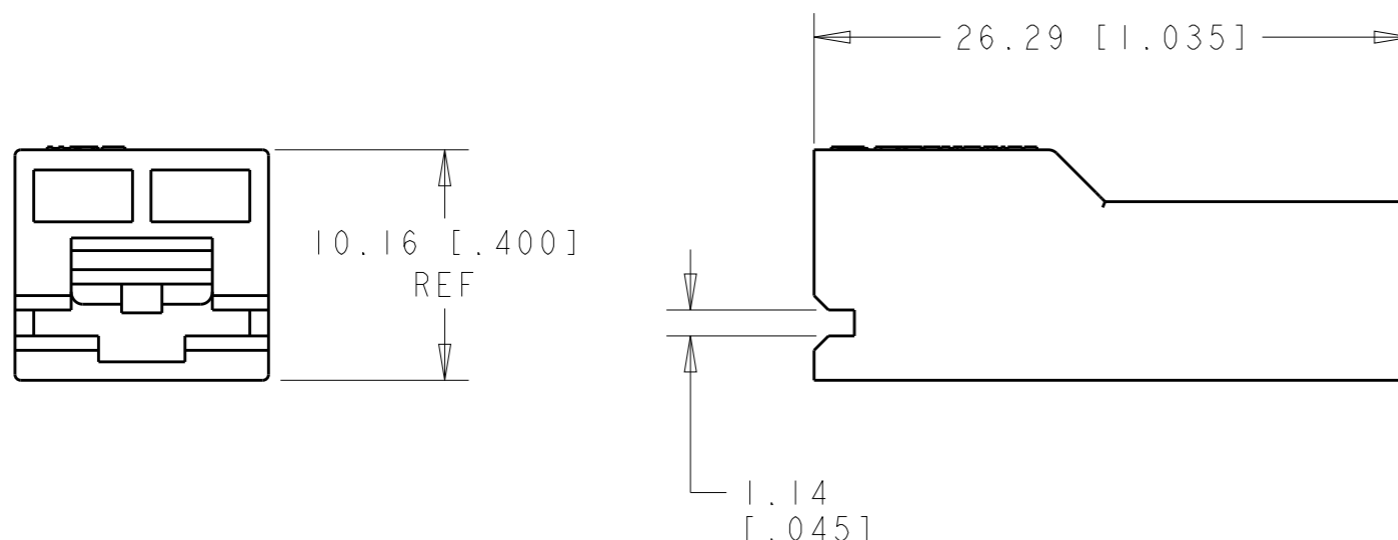
ALL RIGHTS RESERVED.

REVISIONS

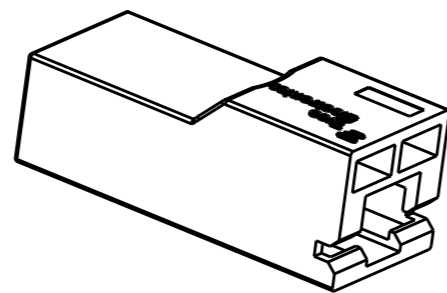
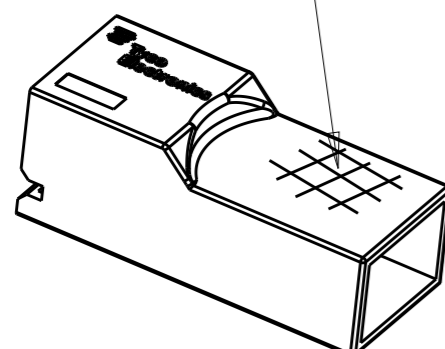
P	LTR	DESCRIPTION	DATE	DWN	APVD
	B5	REVISED PER ECR-18-006870	14SEP2018	BDA	DS



- ① 66 NYLON, V0, NO DRIP
- ② 6/6 NYLON, V2
- ③ PARTS MAY APPEAR MEDIUM COLORED TO LIGHT COLORED AND EXHIBIT A MARBLING EFFECT.



FROSTED SURFACE




SCALE 2:1

SCALE 2:1

SUPERSEDED BY 1-1969186-1

③	BLACK	66 Nylon V0 Natural	1-1969186-1
	NATURAL	②	1969186-2
	BLACK	①	1969186-1
	COLOR	MATERIAL	PART NO.

THIS DRAWING IS A CONTROLLED DOCUMENT.		DWN JR RUTH 23JAN2008	 TE Connectivity	
DIMENSIONS: mm [INCHES]		CHK PETE DESANTIS 23JAN2008		
TOLERANCES UNLESS OTHERWISE SPECIFIED:		APVD PETE DESANTIS 23JAN2008	NAME HOUSING, RECEPTACLE, FASTON, 7.92 [.312] SERIES	
0 PLC ±-	1 PLC ±-	PRODUCT SPEC -	SIZE CAGE CODE DRAWING NO RESTRICTED TO	
2 PLC ±0.25 [.010]	3 PLC ±-	APPLICATION SPEC -	A300779 C-1969186	
4 PLC ±-	ANGLES ±-	WEIGHT -	SCALE 3:1 SHEET 1 OF 1 REV B5	
MATERIAL SEE TABLE material_2	FINISH SEE TABLE finish_spec_2	CUSTOMER DRAWING		