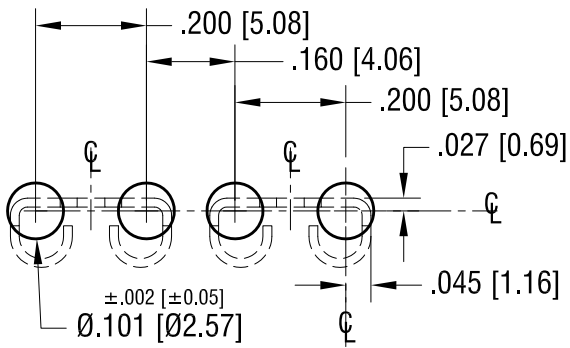
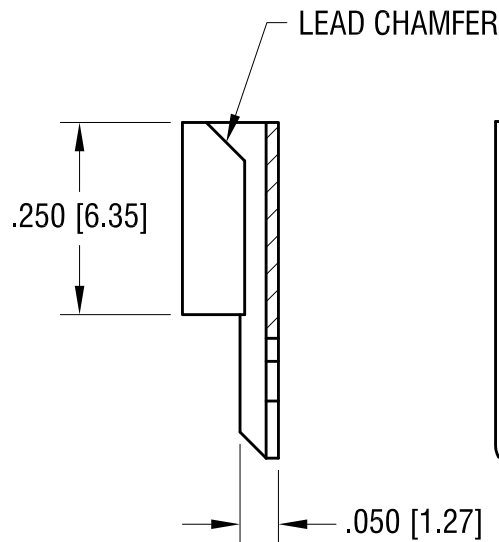
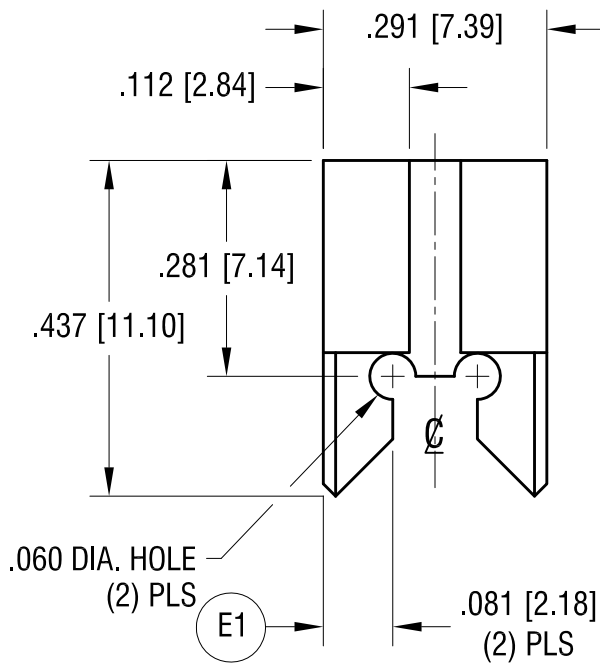
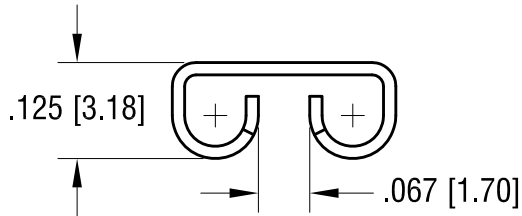
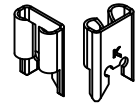


MOUNTING LAYOUT FOR TWO CLIPS



THIS DOCUMENT IS THE PROPERTY OF KEYSTONE ELECTRONICS CORP. AND SHALL NOT BE REPRODUCED, DISTRIBUTED OR USED AS A BASIS FOR MANUFACTURE WITHOUT PRIOR WRITTEN PERMISSION FROM KEYSTONE ELECTRONICS CORP.

ACTUAL SIZE



10.25.22	(E1) WAS .091±.005 CHANGE AS PER ECN 22-0166	E
8.30.12	CHANGE AS PER ECN 12-121	D
9.23.04	ECN CHANGE AS PER 04-127	C
10.11.94	CHANGE AS PER ECR 94-057	B
DATE	DESCRIPTION	REV.

KEYSTONE ELECTRONICS CORP.			
www.keyelco.com • NEW HYDE PARK NY 11040 • Tel (516)328-7500			
PART NAME		.250 x .032 PC QUICK-FIT TERMINAL	
MATERIAL		.016 [0.40] TH'K BRASS	
FINISH	TIN NICKEL PLATE	DRN BY	BOONE
		DATE	7.21.91
		APP'D	RH
		SCALE	4X
TOLERANCES	INCH [MM]	CODE	DWG NO.
DECIMAL	± .005 [± 0.13]	C	3528
ANGULAR	± 1°		
UNLESS OTHERWISE SPECIFIED			