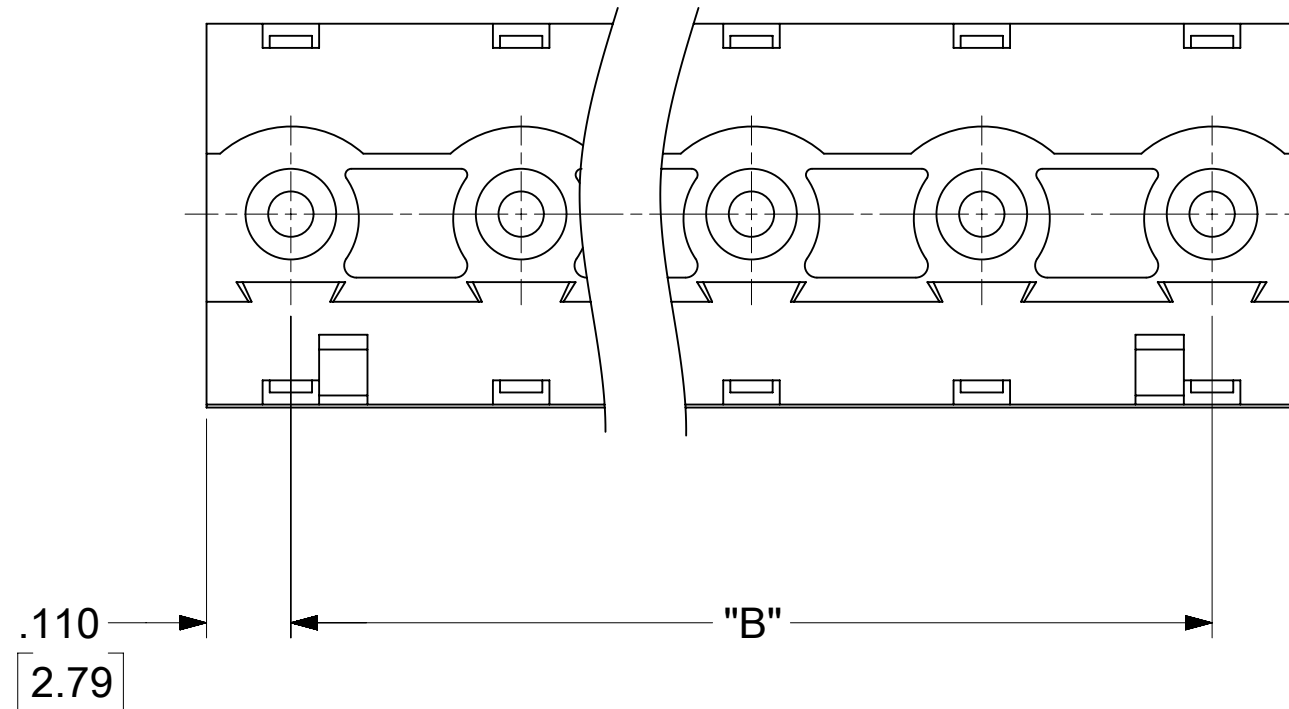


SPECIFICATIONS

1. MATERIAL:
 - A. SCREW: STEEL, M3, ZINC PLATED
 - B. CONTACT : BRONZE, TIN PLATED
 - C. CAGE: BRASS, NICKEL PLATED
 - D. BODY : PA66, UL94 V-0
 - E. COVER: PA66, UL94 V-0
2. WIRE SIZE: 30-12AWG
3. ELECTRICAL RATING: 15A AT 51-150V, 15A AT 151-300V
4. POWER-FREQUENCY WITHSTAND: AC 2500V/1MIN.
5. INSULATION RESISTANCE: DC500V 500MΩ OR ABOVE
6. RATED IMPULSE VOLTAGE: 4000V/MINUS AND PLUS 5 TIMES EACH
7. WIRE STRIP LENGTH: .28 IN. (7.0mm)
8. SCREW TORQUE: 5.0 IN LBS. (0.56 N.M)
9. OPERATING TEMPERATURE: -40°C TO +105°C
10. DIMS SHOWN ARE FOR REFERENCE ONLY



TOLERANCES			
MM	TOL	INCH	TOL
0-6	±0.25	0-.24	±.010
>6-30	±0.40	.24-1.18	±.016
>30-120	±0.50	1.18-4.76	±.020
>120	±0.80	>4.76	±.031

SYMBOLS DIMENSION UNITS: INCH/MM SCALE: 4:1 GENERAL TOLERANCES (UNLESS SPECIFIED): 4 PLACES ± --- ± --- 3 PLACES ± --- ± SEE CHART 2 PLACES ± SEE CHART ± SEE CHART 1 PLACE ± CHART ± --- 0 PLACES ± --- ± --- ANGULAR TOL ± --- DRAFT WHERE APPLICABLE MUST REMAIN WITHIN DIMENSIONS THIRD ANGLE PROJECTION DRAWING SERIES: C-SIZE 39707	THIS DRAWING CONTAINS INFORMATION THAT IS PROPRIETARY TO MOLEX ELECTRONIC TECHNOLOGIES, LLC AND SHOULD NOT BE USED WITHOUT WRITTEN PERMISSION CURRENT REV DESC: ADDED BLACK PART NUMBERS EC NO: 628063 DRWN: ABENJAMINLW 2019/11/22 CHK'D: DACHAMMER 2019/12/05 APPR: JFMURPHY 2019/12/12 INITIAL REVISION: DRWN: RSTONE 2014/02/27 APPR: JFMURPHY 2014/10/16		 PLUGGABLE TERMINAL BLOCK 7.62MM (.300) PITCH VERTICAL, REAR FACING PRODUCT CUSTOMER DRAWING	
	DOCUMENT NUMBER: SD-39707-001	DOC TYPE: PSD	DOC PART: 001	REVISION: A2
DOCUMENT STATUS: P1	RELEASE DATE: 2019/12/12 00:18:40	MATERIAL NUMBER: SEE SHEET-2	CUSTOMER: GENERAL MARKET	SHEET NUMBER: 1 OF 2

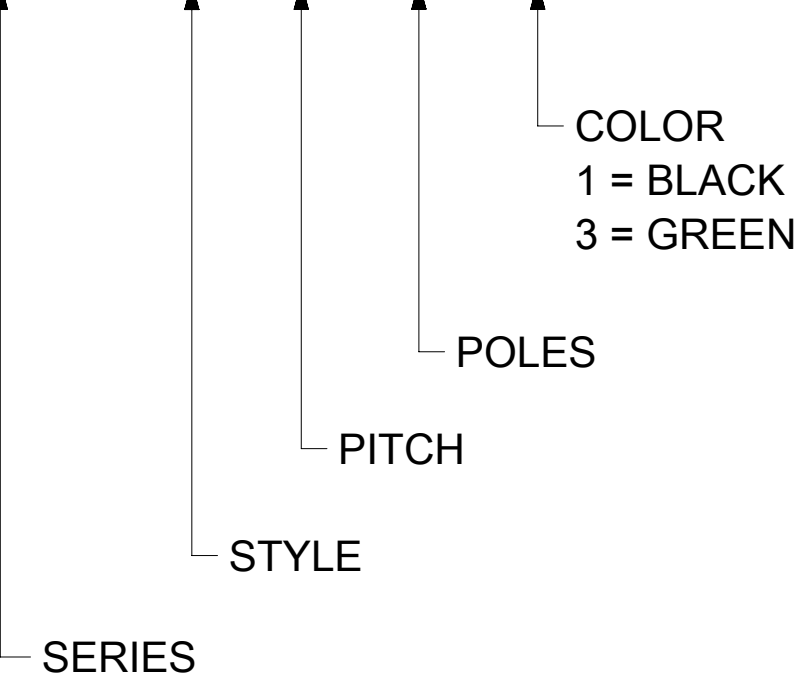
CIRCUIT SIZE	PART NUMBER DATA				DIMENSIONAL INFORMATION			
	BLACK COLOR		GREEN COLOR		DIM. "A"		DIM. "B"	
	PART NUMBER	ENGINEERING NUMBER	PART NUMBER	ENGINEERING NUMBER	IN	mm	IN	mm
2	397075002	M750B-06-5-02-1	397070002	M750B-06-5-02-3	.52	13.2	.300	7.62
3	397075003	M750B-06-5-03-1	397070003	M750B-06-5-03-3	.82	20.8	.600	15.24
4	397075004	M750B-06-5-04-1	397070004	M750B-06-5-04-3	1.12	28.4	.900	22.86
5	397075005	M750B-06-5-05-1	397070005	M750B-06-5-05-3	1.42	36.1	1.200	30.48
6	397075006	M750B-06-5-06-1	397070006	M750B-06-5-06-3	1.72	43.7	1.500	38.10
7	397075007	M750B-06-5-07-1	397070007	M750B-06-5-07-3	2.02	51.3	1.800	45.72
8	397075008	M750B-06-5-08-1	397070008	M750B-06-5-08-3	2.32	58.9	2.100	53.34
9	397075009	M750B-06-5-09-1	397070009	M750B-06-5-09-3	2.62	66.5	2.400	60.96
10	397075010	M750B-06-5-10-1	397070010	M750B-06-5-10-3	2.92	74.2	2.700	68.58
11	397075011	M750B-06-5-11-1	397070011	M750B-06-5-11-3	3.22	81.8	3.000	76.20
12	397075012	M750B-06-5-12-1	397070012	M750B-06-5-12-3	3.52	89.4	3.300	83.82

(A2)

REF. LAST 2 DIGITS OF PART NUMBER EQUALS CIRCUIT COUNT

ENGINEERING NUMBER LEGEND

M750B - 06 - 5 - XX - X



TOLERANCES			
MM	TOL	INCH	TOL
0-6	±0.25	0-.24	±.010
>6-30	±0.40	.24-1.18	±.016
>30-120	±0.50	1.18-4.76	±.020
>120	±0.80	>4.76	±.031

SYMBOLS	THIS DRAWING CONTAINS INFORMATION THAT IS PROPRIETARY TO MOLEX ELECTRONIC TECHNOLOGIES, LLC AND SHOULD NOT BE USED WITHOUT WRITTEN PERMISSION			
	DIMENSION UNITS	SCALE	CURRENT REV DESC: ADDED BLACK PART NUMBERS	
▽ = 0	INCH/MM	2:1	<p>molex</p> <p>PLUGGABLE TERMINAL BLOCK 7.62MM (.300) PITCH VERTICAL, REAR FACING</p> <p>PRODUCT CUSTOMER DRAWING</p>	
▽ = 0	GENERAL TOLERANCES (UNLESS SPECIFIED)			
▽ = 0		MM	INCH	EC NO: 628063
▽ = 0	4 PLACES	±	---	DRWN: ABENJAMINLW 2019/11/22
▽ = 0	3 PLACES	±	---	CHK'D: DACHAMMER 2019/12/05
▽ = 0	2 PLACES	±	SEE CHART	APPR: JFMURPHY 2019/12/12
▽ = 0	1 PLACE	±	SEE CHART	INITIAL REVISION:
▽ = 0	0 PLACES	±	---	DRWN: RSTONE 2014/02/27
▽ = 0	ANGULAR TOL	±	---	APPR: JFMURPHY 2014/10/16
▽ = 0	DRAFT WHERE APPLICABLE MUST REMAIN WITHIN DIMENSIONS	THIRD ANGLE PROJECTION	DRAWING	SERIES
▽ = 0			C-SIZE	39707
DOCUMENT STATUS		P1	RELEASE DATE	2019/12/12 00:18:40
DOCUMENT NUMBER		DOC TYPE	DOC PART	REVISION
SD-39707-001		PSD	001	A2
MATERIAL NUMBER		CUSTOMER		SHEET NUMBER
SEE CHART		GENERAL MARKET		2 OF 2