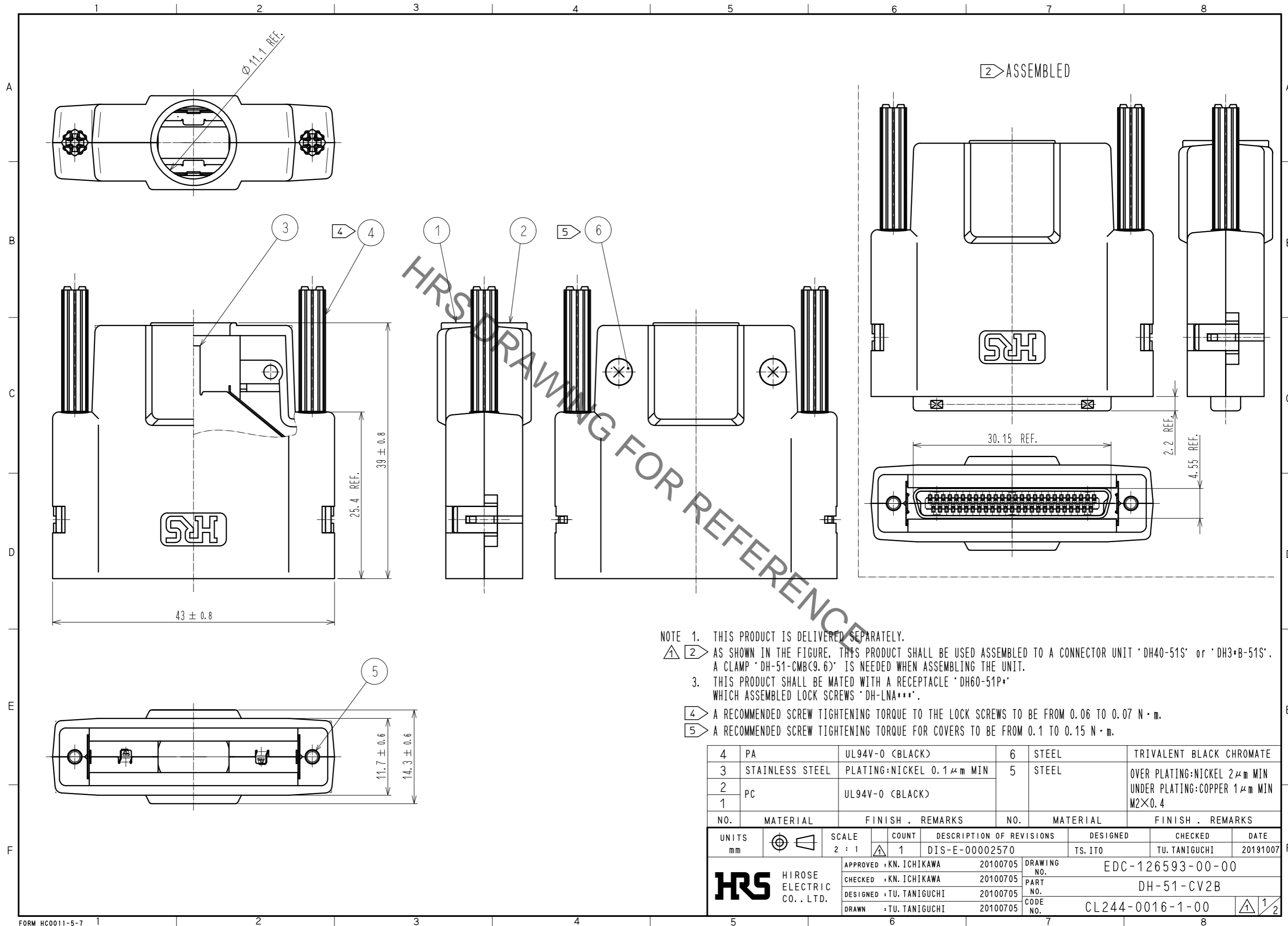


Jan.1.2022 Copyright 2022 HIROSE ELECTRIC CO., LTD. All Rights Reserved.
 In case of consideration for using Automotive equipment / device which demand high reliability, kindly contact our sales window correspondents.

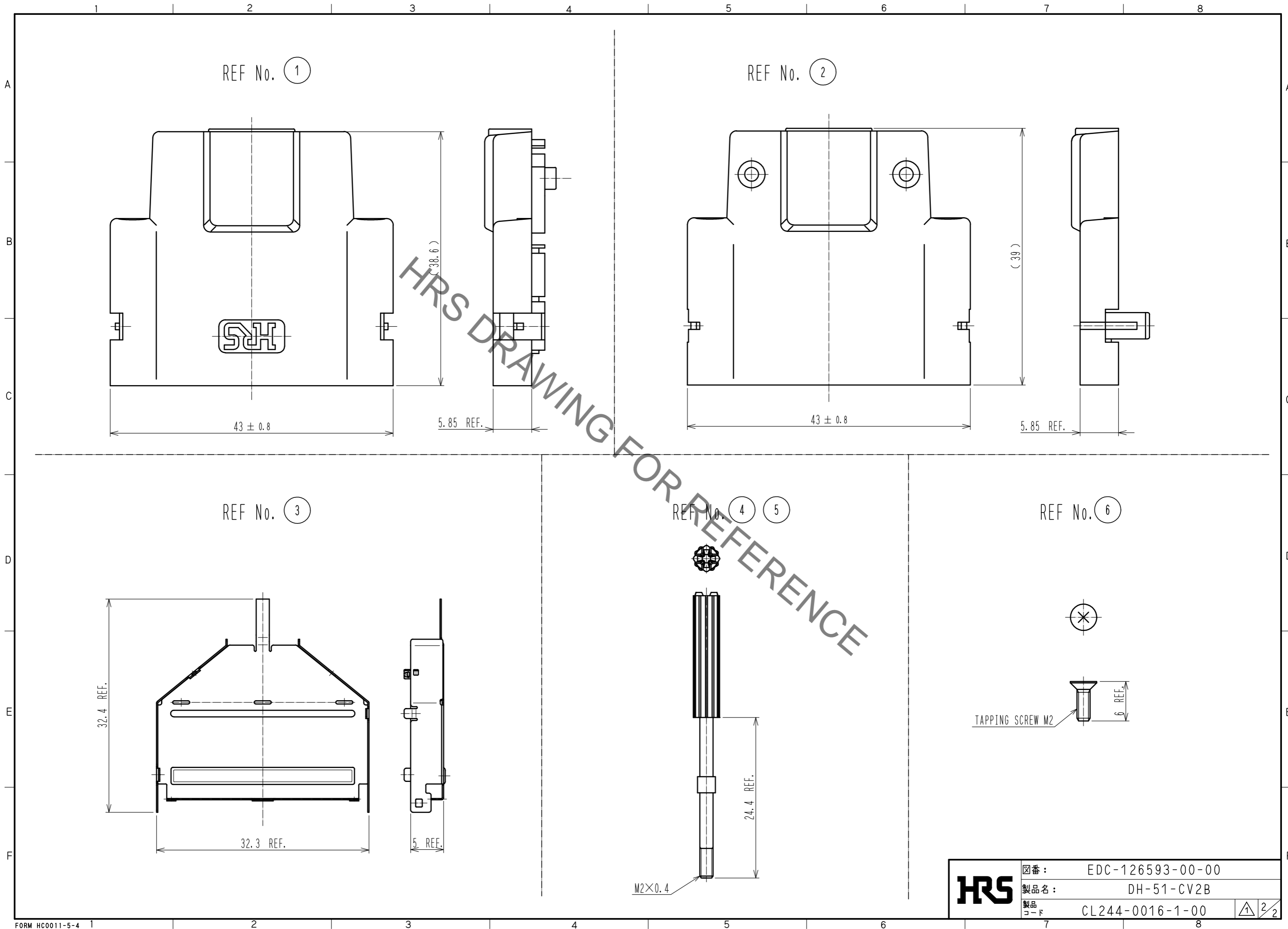


NO.	MATERIAL	FINISH .	REMARKS	NO.	MATERIAL	FINISH .	REMARKS
4	PA		UL94V-0 (BLACK)	6	STEEL		TRIVALENT BLACK CHROMATE
3	STAINLESS STEEL		PLATING:NICKEL 0.1 μm MIN	5	STEEL		OVER PLATING:NICKEL 2 μm MIN UNDER PLATING:COPPER 1 μm MIN
2	PC		UL94V-0 (BLACK)				M2×0.4
1							

UNITS	SCALE	COUNT	DESCRIPTION OF REVISIONS	DESIGNED	CHECKED	DATE
mm	2 : 1	1	DIS-E-00002570	TS. ITO	TU. TANIGUCHI	20191007

APPROVED	CHECKED	DESIGNED	DRAWN	DRAWING NO.	PART NO.	CODE NO.
KN. ICHIKAWA	KN. ICHIKAWA	TU. TANIGUCHI	TU. TANIGUCHI	EDC-126593-00-00	DH-51-CV2B	CL244-0016-1-00
20100705	20100705	20100705	20100705			

Jan.1.2022 Copyright 2022 HIROSE ELECTRIC CO., LTD. All Rights Reserved.
 In case of consideration for using Automotive equipment / device which demand high reliability, kindly contact our sales window correspondents.



HRS	図番:	EDC-126593-00-00	
	製品名:	DH-51-CV2B	
	製品コード:	CL244-0016-1-00	

Mouser Electronics

Authorized Distributor

Click to View Pricing, Inventory, Delivery & Lifecycle Information:

[Hirose Electric:](#)

[DH-51-CV2B](#)