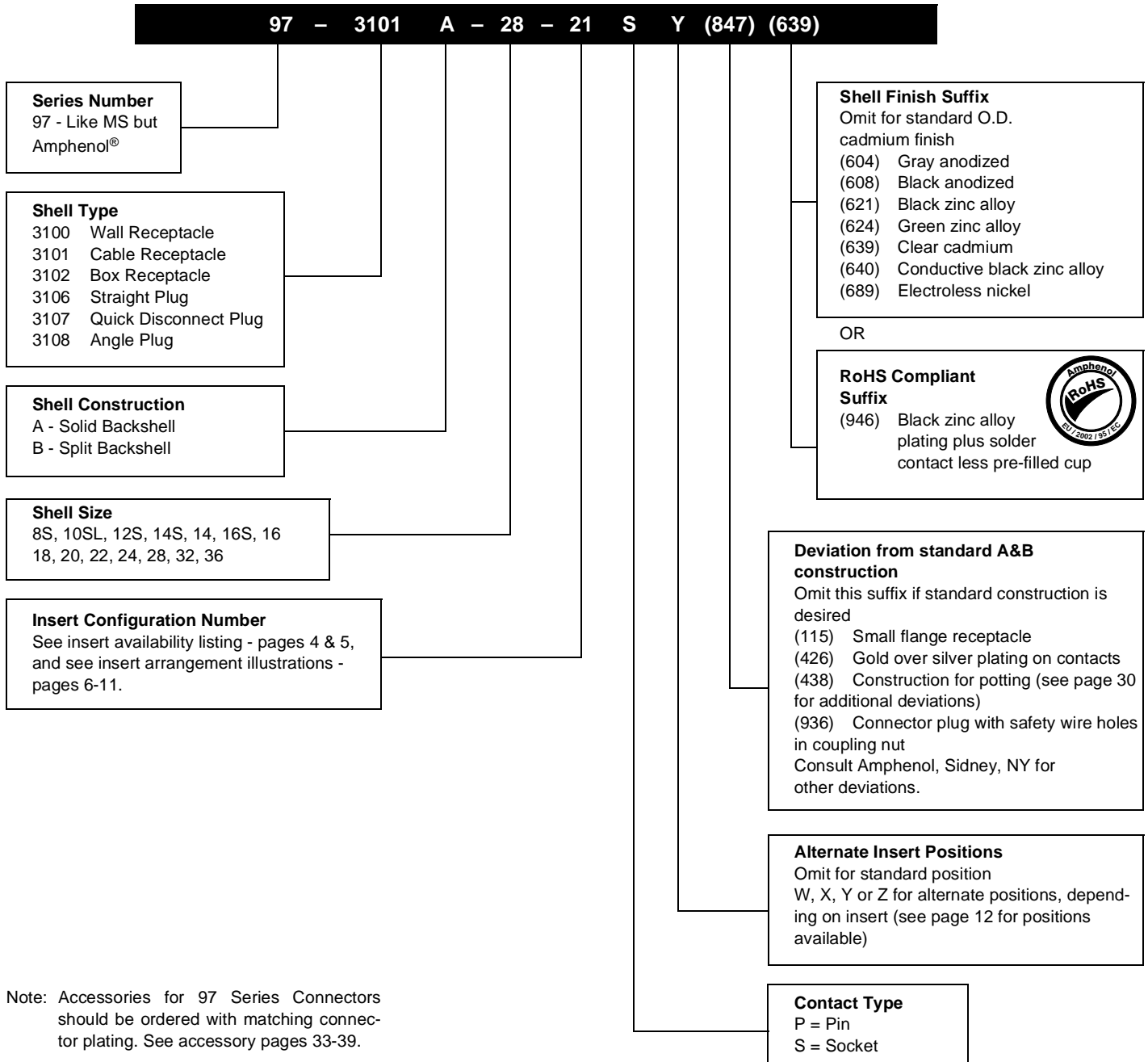


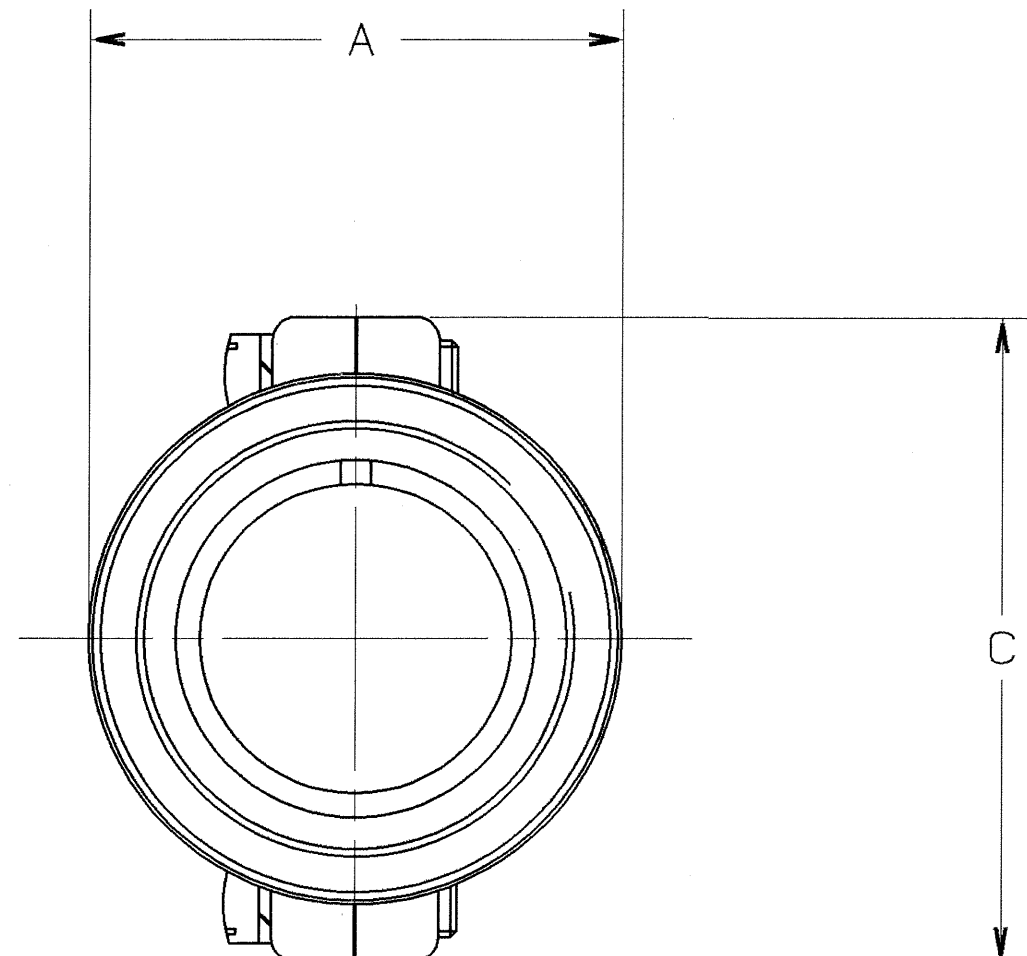
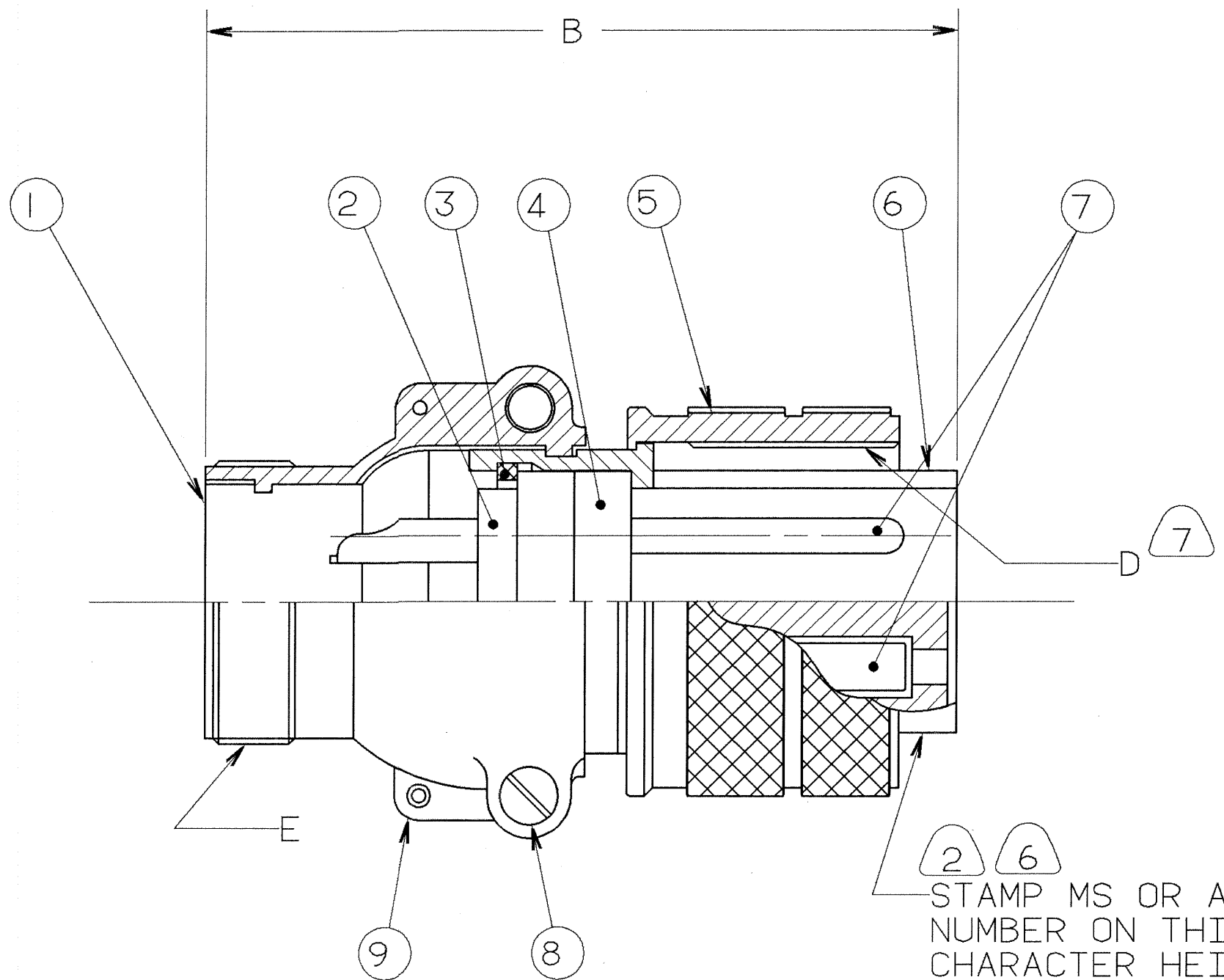
97 series solder type how to order

Example of part number for solder type connectors is given below.



Note: Accessories for 97 Series Connectors should be ordered with matching connector plating. See accessory pages 33-39.

| REVISIONS | | | | |
|-----------|-----|----------------------------------|----------------------|--------------|
| ZONE | LTR | DESCRIPTION | DATE | APPROVED |
| — | C | (CLII) ADDED NOTE 8 ECN:22391 | 08/29/89 BURNSIDE | m.d. J.B. |



| FIND NO. | QTY REQD. | FSCM NO. | PART NUMBER | DESCRIPTION | NOTE REF. |
|----------|-----------|----------|-------------|--------------------|-----------|
| 9 | SEE NOTE | | SEE NOTE 1 | BACK SHELL, FEMALE | |
| 8 | | | | SCREW, BACK SHELL | |
| 7 | | | | CONTACTS | |
| 6 | | | | SHELL | |
| 5 | | | | RING, COUPLING | 7 |
| 4 | | | | INSERT, FRONT | |
| 3 | | | | RING, RETAINING | |
| 2 | | | | INSERT, REAR | |
| 1 | | | | BACK SHELL, MALE | |

UNLESS OTHERWISE SPECIFIED
 LINEAR DIMENSIONS ARE IN
 INCHES.
 TOLERANCES: .XXX±.010,
 .XX ±.03, .X ±.1,
 ANGLES ±2°.
 OTHER STANDARDS PER 9-3800
 AND DOD-D-1000.
 NOTE REF. = XX

| PARTS LIST | | | | | |
|----------------------------|-------------------------------|----------|--|----------|--------|
| SPECIFICATIONS | SIGNATURES | DATES | AMPHENOL CORPORATION BENDIX CONNECTOR OPERATIONS SIDNEY, N.Y. | | |
| MATERIAL SPEC. N/A | PREPARED A. PRESCOTT | 11/6/87 | CONNECTOR, ELECTRICAL PLUG, TYPE 97-3106B, OLIVE DRAB CADMIUM PLATED | | |
| PROCESS SPEC. 9-2437-33 | CHECKED PHILPOTT | 11/12/87 | | | |
| | APPROVED BERNHARDT | 11/13/87 | SIZE | FSCM NO. | REV. |
| | APPROVED HAYNER | 11/17/87 | C | 77820 | C |
| | 1ST PART NO. 10-820126-02P | | SCALE | WT. | SHEET |
| | | | NONE | | 1 OF 2 |

SEE SHEET 2.
 NOTES:

THE USE OF THIS DOCUMENT IS UNLIMITED.
 HOWEVER, DOCUMENTS REFERENCED HEREON
 MAY CONTAIN LIMITED RIGHTS DATA.

N/A
 N/A
 NEXT ASSEMBLY

97-3106B

8/29/89 16:24 * 89241 15:30 * PRELISE * 10-820120/139 0002

4

3

2

1

| BENDIX ASSEMBLY NUMBER | AMPHENOL ASSEMBLY NUMBER | MS ASSEMBLY NUMBER | A DIA. | B | C | D THREAD | E THREAD |
|------------------------|--------------------------|--------------------|---------------|-------|-------|-------------------|-------------------|
| 10-820120-() | 97-3106B- 8S -() | MS3106B- 8S -() | NOT AVAILABLE | | | | |
| 10-820121-() | -10S -() | -10S -() | ↓ | | | | |
| 10-820122-() | -10SL-() | -10SL-() | | | | | |
| 10-820123-() | -12S -() | -12S -() | ↓ | | | | |
| 10-820124-() | -12SL-() | -12SL-() | | | | | |
| 10-820125-() | -12 -() | -12 -() | ↓ | | | | |
| 10-820126-() | -14S -() | -14S -() | | | | | |
| 10-820127-() | -14 -() | -14 -() | 1.125 | 1.688 | 1.156 | .8750-20 UNEF-2B | .7500-20 UNEF-2A |
| 10-820128-() | -16S -() | -16S -() | NOT AVAILABLE | | | | |
| | | | 1.250 | 1.688 | 1.250 | 1.0000-20 UNEF-2B | .8750-20 UNEF-2A |
| 10-820129-() | -16 -() | -16 -() | NOT AVAILABLE | | | | |
| 10-820130-() | -18 -() | -18 -() | 1.344 | 2.063 | 1.641 | 1.1250-18 UNEF-2B | 1.0000-20 UNEF-2A |
| 10-820131-() | -20 -() | -20 -() | 1.469 | 2.125 | 1.812 | 1.2500-18 UNEF-2B | 1.1875-18 UNEF-2A |
| 10-820132-() | -22 -() | -22 -() | 1.594 | 2.125 | 1.937 | 1.3750-18 UNEF-2B | 1.1875-18 UNEF-2A |
| 10-820133-() | -24 -() | -24 -() | 1.719 | 2.281 | 2.063 | 1.5000-18 UNEF-2B | 1.4375-18 UNEF-2A |
| 10-820134-() | -28 -() | -28 -() | 1.969 | 2.281 | 2.312 | 1.7500-18 UNEF-2B | 1.4375-18 UNEF-2A |
| 10-820135-() | -32 -() | -32 -() | 2.219 | 2.312 | 2.594 | 2.0000-18 UNEF-2B | 1.7500-18 UNEF-2A |
| 10-820136-() | -36 -() | -36 -() | 2.469 | 2.344 | 2.848 | 2.2500-16 UN-2B | 2.0000-18 UNEF-2A |
| 10-820137-() | -40 -() | -40 -() | 2.812 | 2.344 | 3.156 | 2.5000-16 UN-2B | 2.2500-16 UN-2A |
| 10-820138-() | -44 -() | -44 -() | NOT AVAILABLE | | | | |
| 10-820139-() | -48 -() | -48 -() | NOT AVAILABLE | | | | |

D

D

C

C

B

B

A

A

TO COMPLETE, ADD APPLICABLE INSERT ARRANGEMENT SUFFIX PER 9-2437-33.

6

8. IDENTIFY PACKAGE WITH APPLICABLE MS OR 97- PART NUMBER PER NOTE 6.
7. APPLY LUBRICANT 9-7568 TO THREADS OF COUPLING RING.
6. FOR BENDIX INSERT ARRANGEMENT SUFFIX -1 THROUGH -49, STAMP MS ASSEMBLY NUMBER. FOR BENDIX INSERT ARRANGEMENT SUFFIX -50 THROUGH -99, AND -AA THROUGH -BC, STAMP AMPHENOL ASSEMBLY NUMBER.
5. FOR CONTACT ARRANGEMENT, SEE MIL-STD-1651 AND L-22208-() THROUGH L-22248-().
4. PACKAGE PER PRODUCTION PROCESS SHEET.
3. UNITS MEET THE APPLICABLE REQUIREMENTS OF MIL-C-5015.
2. SEE WORK ORDER FOR PERMISSIBLE ADDITIONAL OR ALTERNATE STAMPING.
1. SEE SEPARATE PARTS LIST FOR COMPONENT PART NUMBERS AND QUANTITIES.

NOTES:

THE USE OF THIS DOCUMENT IS UNLIMITED. HOWEVER, DOCUMENTS REFERENCED HEREON MAY CONTAIN LIMITED RIGHTS DATA.

| | | |
|-------|----------|---------|
| SIZE | FSCM NO. | REV. |
| C | 77820 | C |
| SCALE | WT. | REF. |
| | | SHEET 2 |

COMPUTER GENERATED DRAWING

TAB.

97-3106B

Mouser Electronics

Authorized Distributor

Click to View Pricing, Inventory, Delivery & Lifecycle Information:

Amphenol:

[97-3106B-16S-1S](#) [97-3106B-32-414S](#) [97-3106B-32-414P](#) [97-3106B-24-2S](#) [97-3106B-24-2P](#) [97-3106B-24-7S](#) [97-3106B-24-7P](#) [97-3106B-24-5S](#) [97-3106B-24-5P](#) [97-3106B-22-19P](#) [97-3106B-22-19S](#) [97-3106B-22-14P](#) [97-3106B-22-14S](#) [97-3106B-18-1P](#) [97-3106B-18-1S](#) [97-3106B-18-8S](#) [97-3106B-18-8P](#) [97-3106B-18-4P](#) [97-3106B-18-4S](#) [97-3106B-28-21S](#) [97-3106B-28-21P](#) [97-3106B-28-11S](#) [97-3106B-28-11P](#) [97-3106B-28-15P](#) [97-3106B-28-15S](#) [97-3106B-28-16P](#) [97-3106B-28-16S](#) [97-3106B-28-10S](#) [97-3106B-28-10P](#) [97-3106B-16S-1P](#) [97-3106B-16S-8P](#) [97-3106B-16S-8S](#) [97-3106B-32-8S](#) [97-3106B-32-8P](#) [97-3106B14S1P936624](#) [97-3106B14S5P936624](#) [97-3106B181P936624](#) [97-3106B-14S\(936\)624](#) [97-3106B-16S-1P\(936\)\(624\)](#) [97-3106B-16S-8P\(936\)\(624\)](#) [97-3106B-14S-1P\(946\)](#) [97-3106B-14S-1S\(946\)](#) [97-3106B-14S-2P\(946\)](#) [97-3106B-14S-2S\(946\)](#) [97-3106B-14S-5P\(946\)](#) [97-3106B-14S-5S\(946\)](#) [97-3106B-14S-6P\(946\)](#) [97-3106B-14S-6S\(946\)](#) [97-3106B-14S-7P\(946\)](#) [97-3106B-14S-7S\(946\)](#) [97-3106B-16S-1P\(946\)](#) [97-3106B-16S-1S\(946\)](#) [97-3106B-16S-8P\(946\)](#) [97-3106B-16S-8S\(946\)](#) [97-3106B-18-10P\(946\)](#) [97-3106B-18-10S\(946\)](#) [97-3106B-18-11P\(946\)](#) [97-3106B-18-11S\(946\)](#) [97-3106B-18-12P\(946\)](#) [97-3106B-18-12S\(946\)](#) [97-3106B-18-16P\(946\)](#) [97-3106B-18-16S\(946\)](#) [97-3106B-18-19P\(946\)](#) [97-3106B-18-19S\(946\)](#) [97-3106B-18-1P\(946\)](#) [97-3106B-18-1S\(946\)](#) [97-3106B-18-4P\(946\)](#) [97-3106B-18-4S\(946\)](#) [97-3106B-18-8P\(946\)](#) [97-3106B-18-8S\(946\)](#) [97-3106B-20-15P\(946\)](#) [97-3106B-20-15S\(946\)](#) [97-3106B-20-16P\(946\)](#) [97-3106B-20-16S\(946\)](#) [97-3106B-20-27P\(946\)](#) [97-3106B-20-27S\(946\)](#) [97-3106B-20-29P\(946\)](#) [97-3106B-20-29S\(946\)](#) [97-3106B-20-4P\(946\)](#) [97-3106B-20-4S\(946\)](#) [97-3106B-20-7P\(946\)](#) [97-3106B-20-7S\(946\)](#) [97-3106B-22-14P\(946\)](#) [97-3106B-22-14S\(946\)](#) [97-3106B-22-19P\(946\)](#) [97-3106B-22-19S\(946\)](#) [97-3106B-24-11P\(946\)](#) [97-3106B-24-11S\(946\)](#) [97-3106B-24-28P\(946\)](#) [97-3106B-24-28S\(946\)](#) [97-3106B-24-2P\(946\)](#) [97-3106B-24-2S\(946\)](#) [97-3106B-24-5P\(946\)](#) [97-3106B-24-5S\(946\)](#) [97-3106B-24-7P\(946\)](#) [97-3106B-24-7S\(946\)](#) [97-3106B-28-10P\(946\)](#) [97-3106B-28-10S\(946\)](#) [97-3106B-28-11P\(946\)](#) [97-3106B-28-11S\(946\)](#)