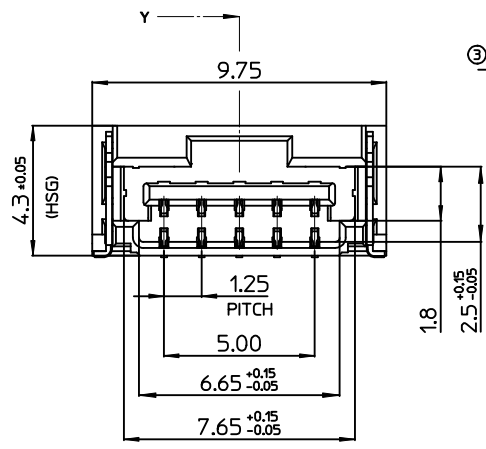
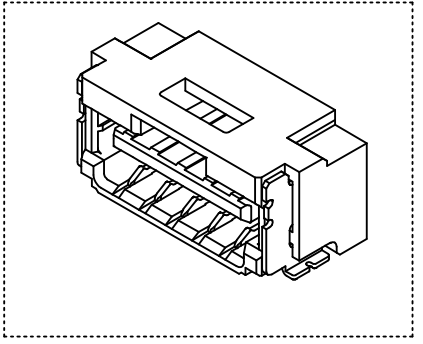
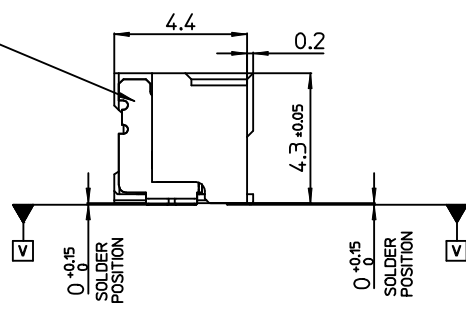


**RECOMMEND PATTERN [REF.]**  
[PCB GENERAL TOLERANCE±0.05]

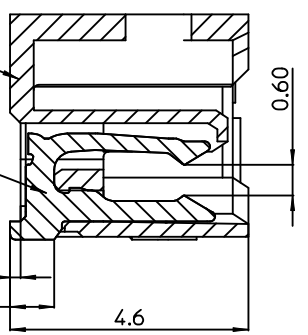


③ FITTING NAIL

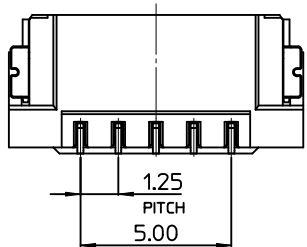


① HEADER

② CONTACT TERMINAL

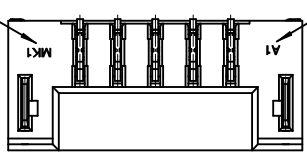


SECTION Y-Y



TRADE MARK (MK1)

CAV NO (A1)



**NOTES**

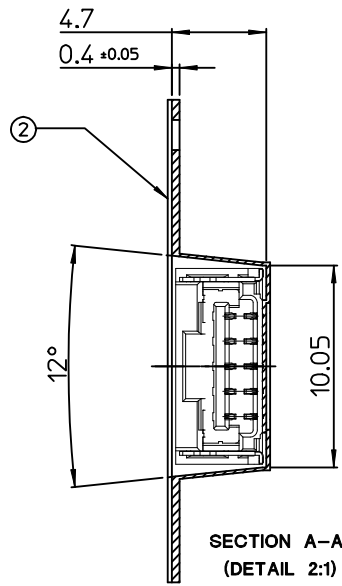
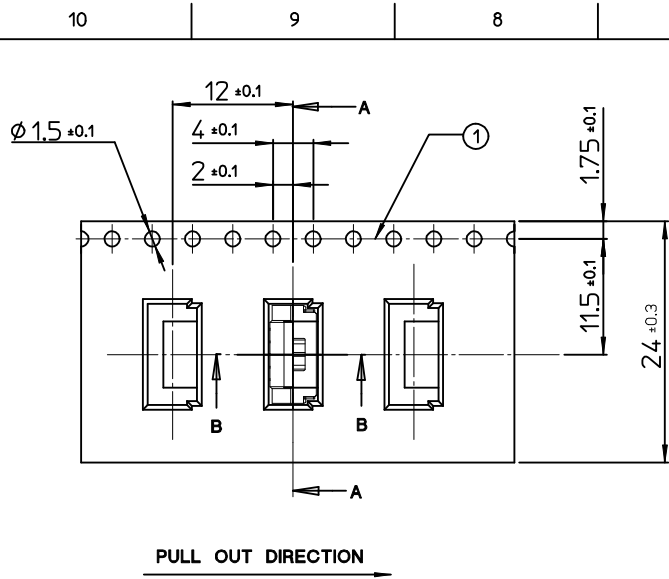
- MATED WITH : 104092-0500
- MATERIALS
  - ① HEADER : LCP, VECTRA E130i  
GLASS FILLED,UL94V-0  
HALOGEN FREE, NATURAL COLOR
  - ② CONTACT TERMINAL : PHOSPHOR BRONZE, 0.2 Thickness
  - ③ FITTING NAIL : PHOSPHOR BRONZE, 0.2 Thickness
- FINISHED
  - ② CONTACT TERMINAL :  
PURE-TIN PLATING ON OVERALL.  
THICKNESS 3.0µm~5.0µm  
UNDER PLATING Ni OVERALL  
THICKNESS 1.25µm~3.75µm
  - ③ FITTING NAIL:  
PURE-TIN PLATING ON OVERALL.  
THICKNESS 3.0µm~5.0µm  
UNDER PLATING Ni OVERALL  
THICKNESS 1.25µm~3.75µm
- COPLANALITY OF SOLDER TAILS (PEAK TEMP:260°C)  
BEFORE & AFTER REFLOW : 0.08MAX
- PRODUCT SPECIFICATION : PS-104091-001

ORDER No. 104091-0520

<b>RELEASED</b> EC NO: KOR2012-0022 DRWN: JHPARK01 2010/06/10 CHKD: SH. CHU APPR: YUNSIKKIM 2011/09/30	QUALITY SYMBOLS ▽=0 ▽=0	GENERAL TOLERANCES (UNLESS SPECIFIED) <table border="1"> <thead> <tr> <th></th> <th>mm</th> <th>INCH</th> </tr> </thead> <tbody> <tr> <td>4 PLACES</td> <td>± ---</td> <td>± ---</td> </tr> <tr> <td>3 PLACES</td> <td>± ---</td> <td>± ---</td> </tr> <tr> <td>2 PLACES</td> <td>± 0.15</td> <td>± ---</td> </tr> <tr> <td>1 PLACE</td> <td>± 0.20</td> <td>± ---</td> </tr> <tr> <td colspan="3">ANGULAR ± 1 °</td> </tr> </tbody> </table>		mm	INCH	4 PLACES	± ---	± ---	3 PLACES	± ---	± ---	2 PLACES	± 0.15	± ---	1 PLACE	± 0.20	± ---	ANGULAR ± 1 °			DIMENSION STYLE <b>MM ONLY</b>	SCALE <b>6:1</b>	DESIGN UNITS <b>METRIC</b>	THIRD ANGLE PROJECTION
		mm	INCH																					
	4 PLACES	± ---	± ---																					
	3 PLACES	± ---	± ---																					
2 PLACES	± 0.15	± ---																						
1 PLACE	± 0.20	± ---																						
ANGULAR ± 1 °																								
		DRAWN BY JH.PARK	DATE 2010/04/10	TITLE <b>1.25 W-T-B CONN. HEADER ASS'Y-5P</b>																				
		CHECKED BY SH. CHU	DATE 2010/04/10	<b>MOLEX</b> MOLEX INCORPORATED																				
		APPROVED BY YUNSIKKIM	DATE 2011/09/30	MATERIAL NO. <b>1040910520</b>	DOCUMENT NO. <b>SD-104091-003</b>	SHEET NO. <b>1 OF 01</b>																		

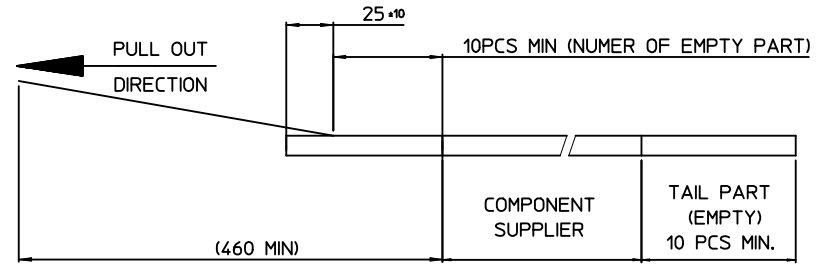
DRAFT WHERE APPLICABLE  
MUST REMAIN WITHIN DIMENSIONS

THIS DRAWING CONTAINS INFORMATION THAT IS PROPRIETARY TO MOLEX INCORPORATED AND SHOULD NOT BE USED WITHOUT WRITTEN PERMISSION

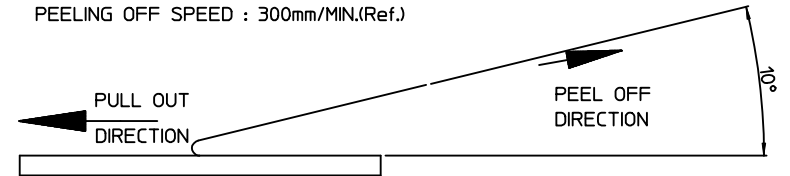


NOTES.

1. QUANTITY OF CONNECTORS : 1500 PCS/REEL
2. LEAD LENGTH

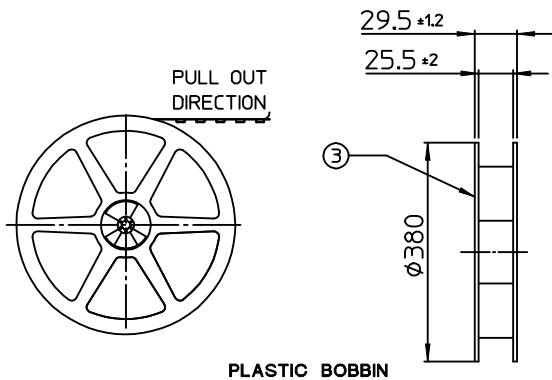
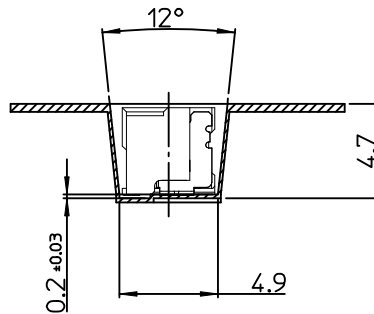
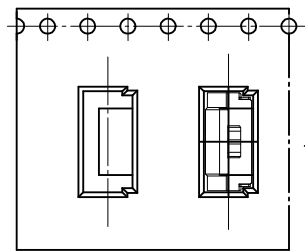


3. PEELING OFF FORCE OF COVER TAPE :  $0.1\text{N} \sim 0.59\text{N}$  ( $10.2\text{GF} \sim 60\text{GF}$ )  
(PEELING DIRECTION AS SHOR IN FOLLOW FIG.)  
PEELING OFF SPEED :  $300\text{mm}/\text{MIN.}$ (Ref.)



4. FLASH IN ANY PORTION SHOULD BE LESS THAN  $0.20\text{mm}$  MAX.
5. UNLESS OTHERWISE SPECIFIED INNER R  $0.2$  MAX
6. DRAFT ANGLE  $3^\circ$  MAX

NO.	DESCRIPTION	MATERIAL	REMARK
3	PLASTIC BOBBIN	HI P.S	WHITE
2	COVER TAPE	PET ANTISTATIC	21.3 mm
1	CARRIER (EMBOSSD) TAPE	PET ANTISTATIC	



SECTION B-B  
(DETAIL 2:1)

PLASTIC BOBBIN

REV	DESCRIPTION	DATE	APPROVED
A	RELEASED	2011/09/30	YUNSIKKIM
	DRWN: JHPARK01	2010/06/11	
	CHKD: SH. CHU		
	APPR: YUNSIKKIM	2011/09/30	

QUALITY SYMBOLS	GENERAL TOLERANCES (UNLESS SPECIFIED)
$\nabla = 0$	mm INCH
$\triangleleft = 0$	4 PLACES $\pm$ --- $\pm$ ---
	3 PLACES $\pm$ --- $\pm$ ---
	2 PLACES $\pm 0.15$ $\pm$ ---
	1 PLACE $\pm 0.20$ $\pm$ ---
	ANGULAR $\pm 1^\circ$
	DRAFT WHERE APPLICABLE MUST REMAIN WITHIN DIMENSIONS

DIMENSION STYLE		SCALE	DESIGN UNITS	THIRD ANGLE PROJECTION
MM ONLY		2:1	METRIC	$\odot \triangleleft$
DRAWN BY	DATE	TITLE		
JH.PARK	2010/04/11	EMBOSSD PACKAGE		
CHECKED BY	DATE	1.25 W-T-B CONN		
SH. CHU	2010/04/11	HEADER ASS'Y-5P		
APPROVED BY	DATE	MOLEX INCORPORATED		
YUNSIKKIM	2011/09/30	DOCUMENT NO.		
MATERIAL NO.		SHEET NO.		
1040910520		1 OF 01		

ORDER No.	104091-0520
MOLEX INCORPORATED	
SD-104091-006	
THIS DRAWING CONTAINS INFORMATION THAT IS PROPRIETARY TO MOLEX INCORPORATED AND SHOULD NOT BE USED WITHOUT WRITTEN PERMISSION	