

# NCS6433

## Wideband Quad 2:1 Video Switch

The NCS6433 is a wide bandwidth, bidirectional, Quad 2:1, NMOS-based video switch suitable for dealing with video signals such as RGB, composite, S-Video, and component video (YPbPr).

The NCS6433 is controlled by a single switch-enabled ( $\overline{OE}$ ) input. When  $\overline{OE}$  is low the switch is enabled and the A port is connected to the B port. When  $\overline{OE}$  is high the switch is disabled and the high-impedance state exists between the A and B ports. The line select (SEL) input controls the data path of the multiplexer/demultiplexer.

The NCS6433 has a wide bandwidth, low crosstalk, low on resistance, and fast switching times making it suitable for high-frequency video applications in high definition LCD TV's.

### Features

- Very Wide Frequency Bandwidth: 570 MHz
- Low Switch Serial Resistance  $R_{DS(on)}$ , 4  $\Omega$  Typical
- Power Supply Voltage, 5 V
- Less Than 0.25 ns Bidirectional Maximum Propagation Delay Through Switch
- Low Quiescent Current: 3  $\mu$ A Maximum
- Very Low Crosstalk, -80 dB Typical at 10 MHz
- Control Inputs are TTL/CMOS Compatible
- Ideal for High Definition Video Applications
- ESD HBM Protection 8 kV
- Fast Switching – Better Than 10 ns
- Capable of Driving a High Current at the Output (>100 mA)
- Available in SOIC-16 or TSSOP-16 Package
- This is a Pb-Free Device

### Typical Applications

- Flat Panel Displays including LCDTV
- CRT Displays
- DVD Reader/Writer
- Set-Top Boxes

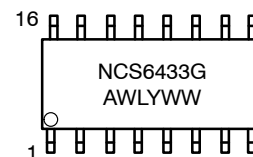
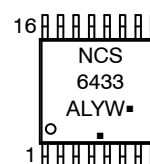


ON Semiconductor®

<http://onsemi.com>



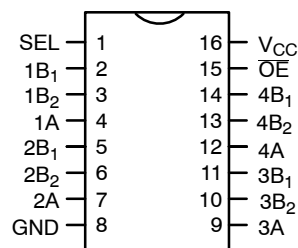
### MARKING DIAGRAMS



A = Assembly Location  
WL, L = Wafer Lot  
Y = Year  
WW, W = Work Week  
G or ■ = Pb-Free Package

(Note: Microdot may be in either location)

### PIN CONNECTIONS



### TRUTH TABLE

| SEL | OE | Function           |
|-----|----|--------------------|
| X   | H  | Open               |
| L   | L  | A = B <sub>1</sub> |
| H   | L  | A = B <sub>2</sub> |

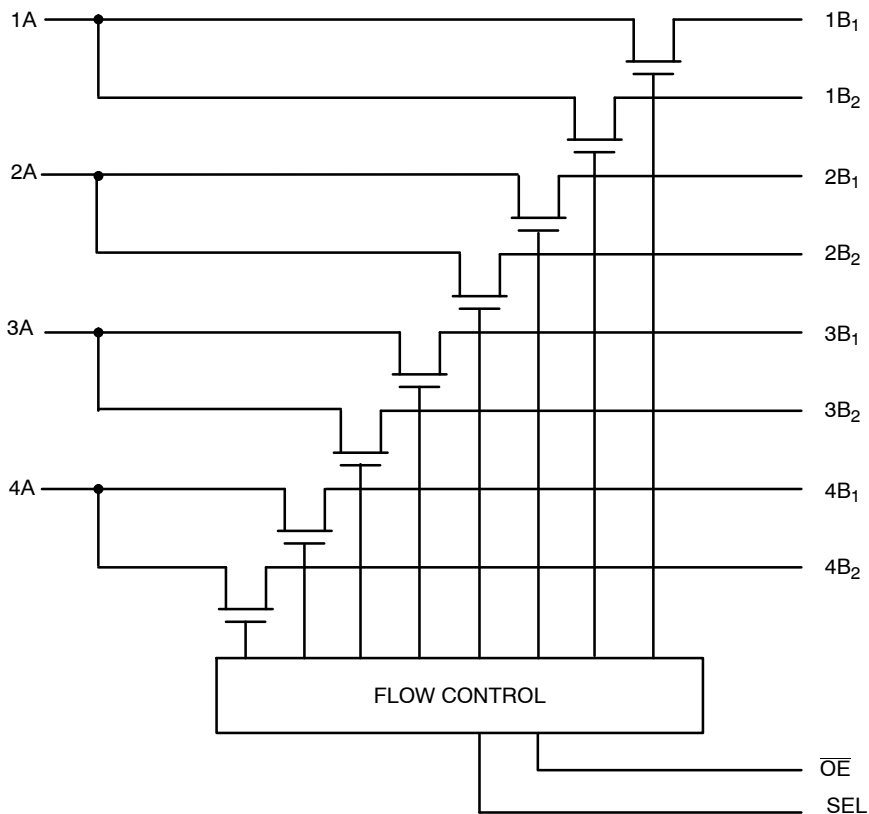
### PIN NAMES

| Pin                             | Description        |
|---------------------------------|--------------------|
| $\overline{OE}$                 | Bus Switch Enables |
| SEL                             | Select Inputs      |
| A                               | Bus A              |
| B <sub>1</sub> , B <sub>2</sub> | Bus B              |

### ORDERING INFORMATION

See detailed ordering and shipping information in the package dimensions section on page 2 of this data sheet.

# NCS6433



**Figure 1. NCS6433 Block Diagram**

## ORDERING INFORMATION

| Device Order Number | Package               | Shipping†          |
|---------------------|-----------------------|--------------------|
| NCS6433DR2G         | SOIC-16<br>(Pb-Free)  | 2500 / Tape & Reel |
| NCS6433DTBR2G       | TSSOP-16<br>(Pb-Free) | 2500 / Tape & Reel |

†For information on tape and reel specifications, including part orientation and tape sizes, please refer to our Tape and Reel Packaging Specifications Brochure, BRD8011/D.

# NCS6433

## ATTRIBUTES

| Characteristics   | Value                 |
|---|-----------------------|
| ESD Protection<br>Human Body Model, R = 1000 $\Omega$ , C = 100 pF I/O Pins 2–7, 9–14<br>(Note 1)<br>Machine Model All Pins | 8 kV<br>2 kV<br>100 V |
| Flammability Rating Oxygen Index: 28 to 34  | UL 94 V-0 @ 0.125 in. |
| Meets or exceeds JEDEC Spec EIA/JESD78 IC Latch-up Test   |                       |

1. Meets or exceeds JEDEC spec JESD22–A114–B.
2. For additional information, see Application Note AND8003/D

## MAXIMUM RATINGS

| Parameter                                       | Symbol              | Value        | Unit                        |
|---|---------------------|--------------|-----------------------------|
| DC Supply Voltage                               | $V_{CC}$            | –0.5 to +5.5 | V                           |
| DC Input Voltage                                | $V_I$               | –0.5 to +5.5 | V                           |
| DC Output Voltage                               | $V_O$               | –0.5 to +5.5 | V                           |
| DC Input Diode Current                          | $I_{IK}$            | –50          | mA                          |
| DC Output Diode Current                         | $I_{OK}$            | –50          | mA                          |
| DC Output Sink Current                          | $I_O$               | 128          | mA                          |
| DC Supply Current per Supply Pin                | $I_{CC}$            | $\pm 100$    | mA                          |
| DC Ground Current per Ground Pin                | $I_{GND}$           | $\pm 100$    | mA                          |
| Storage Temperature Range                       | $T_{STG}$           | –65 to +150  | $^{\circ}\text{C}$          |
| Lead Temperature, 1 mm from Case for 10 Seconds | $T_L$               | 260          | $^{\circ}\text{C}$          |
| Junction Temperature Under Bias (Note 3)        | $T_J$               | +150         | $^{\circ}\text{C}$          |
| Thermal Resistance                              | $\theta_{JA}$       | 125<br>170   | $^{\circ}\text{C}/\text{W}$ |
|   | SOIC–16<br>TSSOP–16 |              |                             |

Stresses exceeding Maximum Ratings may damage the device. Maximum Ratings are stress ratings only. Functional operation above the Recommended Operating Conditions is not implied. Extended exposure to stresses above the Recommended Operating Conditions may affect device reliability.

3. Maximum electrical ratings are defined as those values beyond which damage to the device may occur at  $T_A = +25^{\circ}\text{C}$ .

## RECOMMENDED OPERATING CONDITIONS

| Symbol              | Parameter  | Min  | Max     | Unit               |
|---------------------|--|------|---------|--------------------|
| $V_{CC}$            | Supply Voltage<br>Operating, Data Retention Only                   | 4.75 | 5.25    | V                  |
| $V_I$               | Input Voltage<br>(Note 4)  | 0    | 5.25    | V                  |
| $V_O$               | Output Voltage<br>(HIGH or LOW State)                              | 0    | 5.25    | V                  |
| $T_A$               | Operating Free–Air Temperature                                     | –40  | +85     | $^{\circ}\text{C}$ |
| $\Delta t/\Delta V$ | Input Transition Rise or Fall Rate<br>Switch I/O                   | 0    | DC<br>5 | ns/V               |
|                     | Switch Control Input<br>$V_{CC} = 5.0 \text{ V} \pm 0.5 \text{ V}$ |      |         |                    |

4. Unused control inputs may not be left open. All control inputs must be tied to a high or low logic input voltage level.

# NCS6433

## DC ELECTRICAL CHARACTERISTICS ( $T_A = -40^{\circ}\text{C}$ to $+85^{\circ}\text{C}$ for Min and Max values, $T_A = 25^{\circ}\text{C}$ for Typ values)

| Symbol          | Parameter                      | Conditions   | $V_{CC}$ (V) | Min  | Typ* | Max       | Unit          |
|-----------------|--------------------------------|--|--------------|------|------|-----------|---------------|
| $V_{IK}$        | Clamp Diode Voltage            | $I_{IN} = -18\text{ mA}$                                       | 4.5          | -1.2 | -0.8 |           | V             |
| $V_{IH}$        | High-Level Input Voltage       |  | 4.0 to 5.5   | 2.0  |      |           | V             |
| $V_{IL}$        | Low-Level Input Voltage        |  | 4.0 to 5.5   |      |      | 0.8       | V             |
| $I_{LI}$        | Input Leakage Current          | $0 \leq V_{IN} \leq 5.5\text{ V}$                              | 5.5          |      |      | $\pm 1.0$ | $\mu\text{A}$ |
| $I_{OZ}$        | Off-State Leakage Current      | $0 \leq A, B \leq V_{CC}$                                      | 5.5          |      |      | $\pm 1.0$ | $\mu\text{A}$ |
| $R_{ON}$        | Switch On Resistance (Note 5)  | $V_{IN} = 1\text{ V}, I_{ON} = 13\text{ mA}, R_L = 75\ \Omega$ | 4.5          |      | 4.0  | 7.0       | $\Omega$      |
|                 |                                | $V_{IN} = 2\text{ V}, I_{ON} = 26\text{ mA}, R_L = 75\ \Omega$ | 4.5          |      | 7.0  | 10        |               |
| $I_{CC}$        | Quiescent Supply Current       | $V_{IN} = V_{CC}$ or GND, $I_{OUT} = 0$                        | 5.5          |      |      | 3.0       | $\mu\text{A}$ |
| $\Delta I_{CC}$ | Increase In $I_{CC}$ per Input | One input at 3.4 V,<br>Other inputs at $V_{CC}$ or GND         | 5.5          |      |      | 2.5       | mA            |

\*Typical values are at  $V_{CC} = 5.0\text{ V}$  and  $T_A = 25^{\circ}\text{C}$ .

5. Measured by the voltage drop between A and B pins at the indicated current through the switch. On resistance is determined by the lower of the voltages on the two (A or B) pins.

## AC ELECTRICAL CHARACTERISTICS ( $T_A = -40^{\circ}\text{C}$ to $+85^{\circ}\text{C}$ , $C_L = 20\text{ pF}$ , $R_U = R_D = 75\ \Omega$ unless otherwise specified) (Note 6)

| Symbol      | Parameter                          | Conditions   | $V_{CC} = 4.5\text{--}5.5\text{ V}$ |            |     | Unit |
|-------------|------------------------------------|--|-------------------------------------|------------|-----|------|
|             |                                    |  | Min                                 | Typ        | Max |      |
| $t_{ON}$    | Turn On Time                       | $R_L = 75\ \Omega, C_L = 20\text{ pF}$ ,<br>see Figure 7 |                                     | 2.8        | 5.0 | ns   |
| $t_{OFF}$   | Turn Off Time                      | $R_L = 75\ \Omega, C_L = 20\text{ pF}$ ,<br>see Figure 7 |                                     | 1.4        | 5.0 | ns   |
| BW          | -3 dB Bandwidth                    | $R_L = 150\ \Omega, T_A = 25^{\circ}\text{C}$            |                                     |            | 570 | MHz  |
| $X_{talk}$  | Crosstalk Adjacent<br>Non-Adjacent | 10 MHz, $C_L = 0\text{ pF}, R_L = 150\ \Omega$           |                                     | -47<br>-80 |     | dB   |
| $Off_{ISO}$ | Off Isolation                      | 10 MHz, $C_L = 0\text{ pF}, R_L = 150\ \Omega$           |                                     | -48        |     | dB   |

6.  $T_A = +25^{\circ}\text{C}$ , parameters characterized but not tested.

## CAPACITANCES (Note 7)

| Symbol     | Parameter                       | Conditions                              | Min | Typ | Max | Unit |
|------------|---------------------------------|---|-----|-----|-----|------|
| $C_{IN}$   | Control Pin Input Capacitance   | $V_{CC} = 5.0\text{ V}$                 |     | 2.0 |     | pF   |
| $C_{I/OA}$ | A Port Input/Output Capacitance | $V_{CC} = \overline{OE} = 5.0\text{ V}$ |     | 5.0 |     | pF   |
| $C_{I/OB}$ | B Port Input/Output Capacitance | $V_{CC} = \overline{OE} = 5.0\text{ V}$ |     | 5.0 |     | pF   |

7.  $T_A = +25^{\circ}\text{C}$ ,  $f = 1\text{ MHz}$ , Capacitance is characterized but not tested.

TYPICAL CHARACTERISTICS

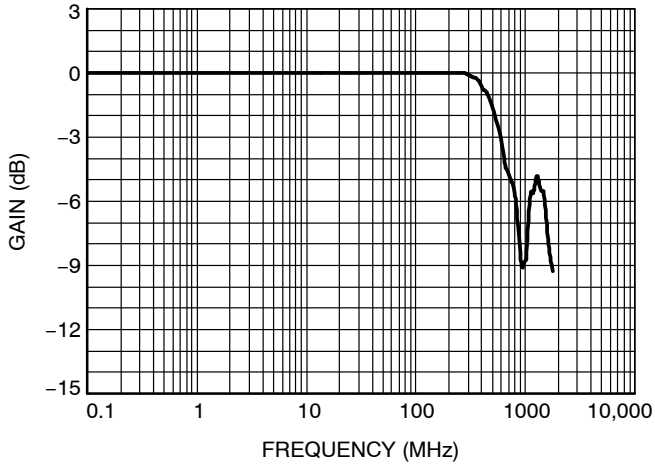


Figure 2. Gain vs. Frequency

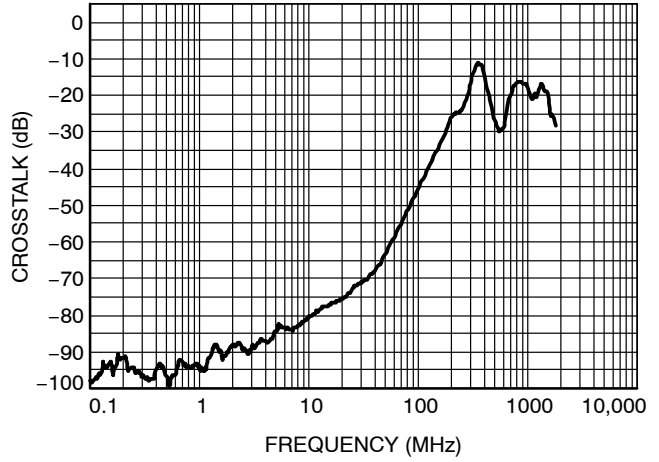


Figure 3. Crosstalk vs. Frequency (Non-Adjacent Channels)

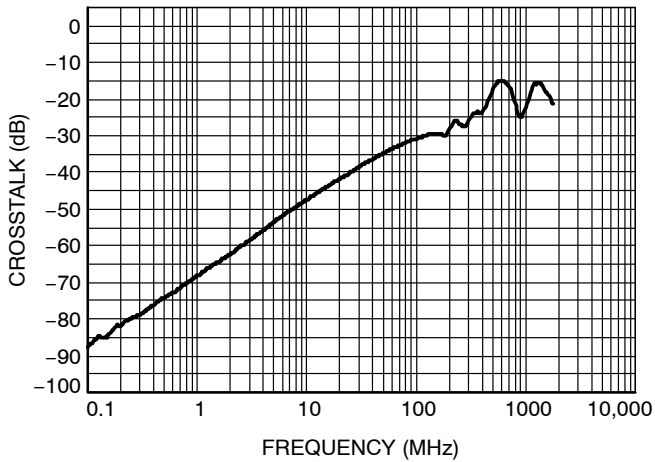


Figure 4. Crosstalk vs. Frequency (Adjacent Channels)

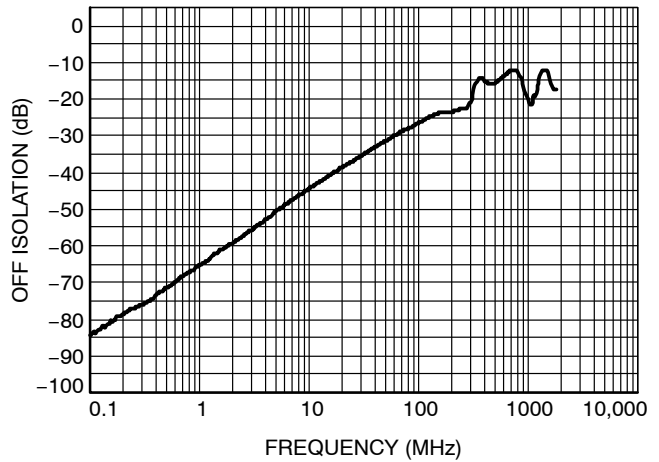


Figure 5. Off Isolation vs. Frequency

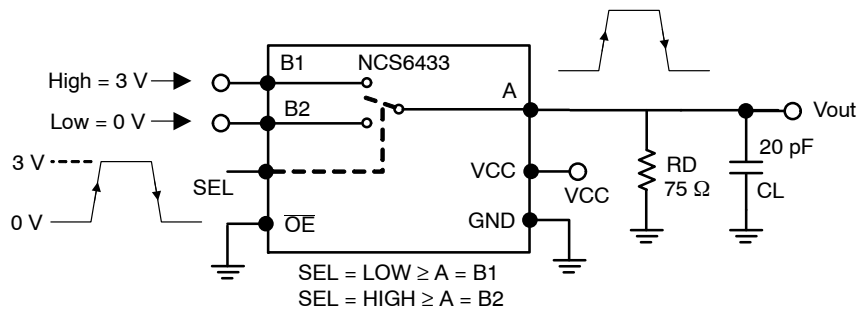


Figure 6. AC Test Circuit for Turn-on and Turn-off Times

# NCS6433

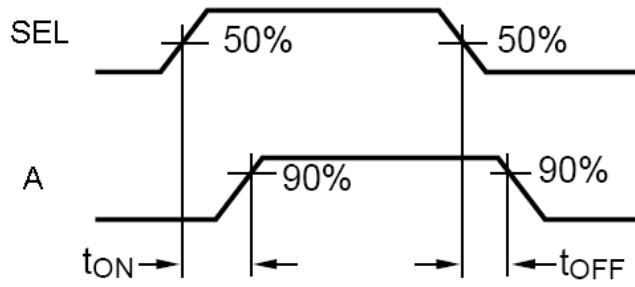


Figure 7. Turn-on and Turn-off Times

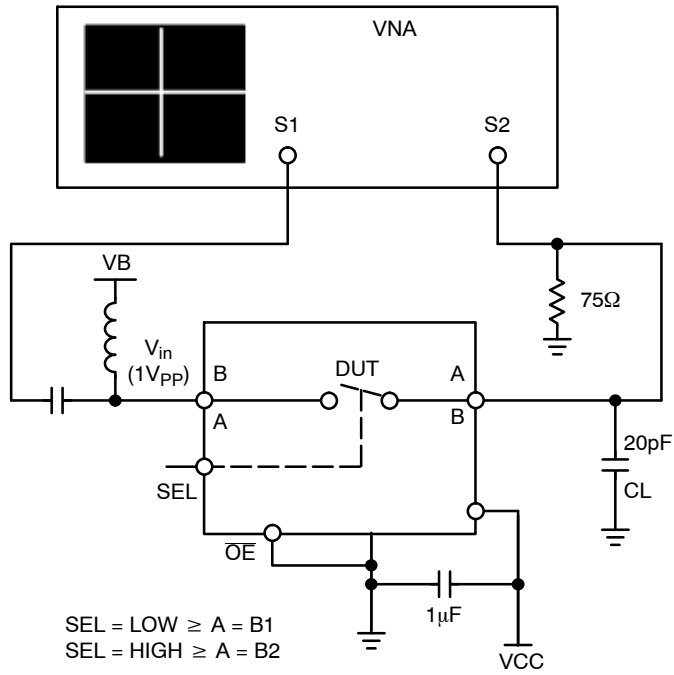


Figure 8. Gain, Crosstalk, Off-Isolation

# NCS6433

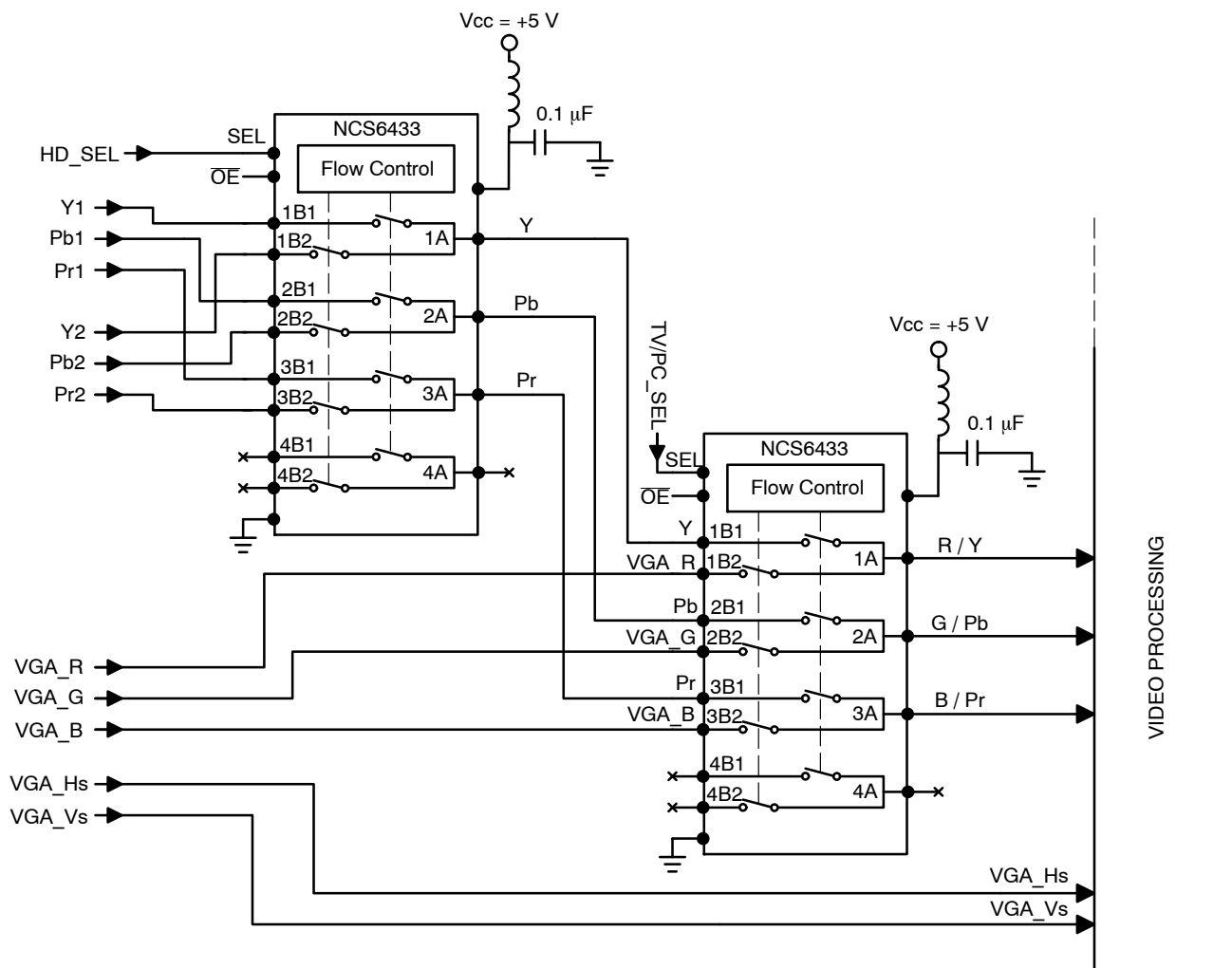


Figure 9. Example of LCDTV Application Using the Video Switch NCS6433

# MECHANICAL CASE OUTLINE PACKAGE DIMENSIONS

ON Semiconductor®



SCALE 1:1

## SOIC-16 CASE 751B-05 ISSUE K

DATE 29 DEC 2006



NOTES:

1. DIMENSIONING AND TOLERANCING PER ANSI Y14.5M, 1982.
2. CONTROLLING DIMENSION: MILLIMETER.
3. DIMENSIONS A AND B DO NOT INCLUDE MOLD PROTRUSION.
4. MAXIMUM MOLD PROTRUSION 0.15 (0.006) PER SIDE.
5. DIMENSION D DOES NOT INCLUDE DAMBAR PROTRUSION. ALLOWABLE DAMBAR PROTRUSION SHALL BE 0.127 (0.005) TOTAL IN EXCESS OF THE D DIMENSION AT MAXIMUM MATERIAL CONDITION.

| DIM | MILLIMETERS |       | INCHES    |       |
|-----|-------------|-------|-----------|-------|
|     | MIN         | MAX   | MIN       | MAX   |
| A   | 9.80        | 10.00 | 0.386     | 0.393 |
| B   | 3.80        | 4.00  | 0.150     | 0.157 |
| C   | 1.35        | 1.75  | 0.054     | 0.068 |
| D   | 0.35        | 0.49  | 0.014     | 0.019 |
| F   | 0.40        | 1.25  | 0.016     | 0.049 |
| G   | 1.27 BSC    |       | 0.050 BSC |       |
| J   | 0.19        | 0.25  | 0.008     | 0.009 |
| K   | 0.10        | 0.25  | 0.004     | 0.009 |
| M   | 0°          | 7°    | 0°        | 7°    |
| P   | 5.80        | 6.20  | 0.229     | 0.244 |
| R   | 0.25        | 0.50  | 0.010     | 0.019 |

- |  |  |  |  |
|--|--|--|--|
| <p>STYLE 1:</p> <p>PIN 1. COLLECTOR</p> <p>2. BASE</p> <p>3. EMITTER</p> <p>4. NO CONNECTION</p> <p>5. EMITTER</p> <p>6. BASE</p> <p>7. COLLECTOR</p> <p>8. COLLECTOR</p> <p>9. BASE</p> <p>10. EMITTER</p> <p>11. NO CONNECTION</p> <p>12. EMITTER</p> <p>13. BASE</p> <p>14. COLLECTOR</p> <p>15. EMITTER</p> <p>16. COLLECTOR</p>                           | <p>STYLE 2:</p> <p>PIN 1. CATHODE</p> <p>2. ANODE</p> <p>3. NO CONNECTION</p> <p>4. CATHODE</p> <p>5. CATHODE</p> <p>6. NO CONNECTION</p> <p>7. ANODE</p> <p>8. CATHODE</p> <p>9. CATHODE</p> <p>10. ANODE</p> <p>11. NO CONNECTION</p> <p>12. CATHODE</p> <p>13. CATHODE</p> <p>14. NO CONNECTION</p> <p>15. ANODE</p> <p>16. CATHODE</p> | <p>STYLE 3:</p> <p>PIN 1. COLLECTOR, DYE #1</p> <p>2. BASE, #1</p> <p>3. EMITTER, #1</p> <p>4. COLLECTOR, #1</p> <p>5. COLLECTOR, #2</p> <p>6. BASE, #2</p> <p>7. EMITTER, #2</p> <p>8. COLLECTOR, #2</p> <p>9. COLLECTOR, #3</p> <p>10. BASE, #3</p> <p>11. EMITTER, #3</p> <p>12. COLLECTOR, #3</p> <p>13. COLLECTOR, #4</p> <p>14. BASE, #4</p> <p>15. EMITTER, #4</p> <p>16. COLLECTOR, #4</p>   | <p>STYLE 4:</p> <p>PIN 1. COLLECTOR, DYE #1</p> <p>2. COLLECTOR, #1</p> <p>3. COLLECTOR, #2</p> <p>4. COLLECTOR, #2</p> <p>5. COLLECTOR, #3</p> <p>6. COLLECTOR, #3</p> <p>7. COLLECTOR, #4</p> <p>8. COLLECTOR, #4</p> <p>9. BASE, #4</p> <p>10. EMITTER, #4</p> <p>11. BASE, #3</p> <p>12. EMITTER, #3</p> <p>13. BASE, #2</p> <p>14. EMITTER, #2</p> <p>15. BASE, #1</p> <p>16. EMITTER, #1</p> |
| <p>STYLE 5:</p> <p>PIN 1. DRAIN, DYE #1</p> <p>2. DRAIN, #1</p> <p>3. DRAIN, #2</p> <p>4. DRAIN, #2</p> <p>5. DRAIN, #3</p> <p>6. DRAIN, #3</p> <p>7. DRAIN, #4</p> <p>8. DRAIN, #4</p> <p>9. GATE, #4</p> <p>10. SOURCE, #4</p> <p>11. GATE, #3</p> <p>12. SOURCE, #3</p> <p>13. GATE, #2</p> <p>14. SOURCE, #2</p> <p>15. GATE, #1</p> <p>16. SOURCE, #1</p> | <p>STYLE 6:</p> <p>PIN 1. CATHODE</p> <p>2. CATHODE</p> <p>3. CATHODE</p> <p>4. CATHODE</p> <p>5. CATHODE</p> <p>6. CATHODE</p> <p>7. CATHODE</p> <p>8. CATHODE</p> <p>9. ANODE</p> <p>10. ANODE</p> <p>11. ANODE</p> <p>12. ANODE</p> <p>13. ANODE</p> <p>14. ANODE</p> <p>15. ANODE</p> <p>16. ANODE</p>                                 | <p>STYLE 7:</p> <p>PIN 1. SOURCE N-CH</p> <p>2. COMMON DRAIN (OUTPUT)</p> <p>3. COMMON DRAIN (OUTPUT)</p> <p>4. GATE P-CH</p> <p>5. COMMON DRAIN (OUTPUT)</p> <p>6. COMMON DRAIN (OUTPUT)</p> <p>7. COMMON DRAIN (OUTPUT)</p> <p>8. SOURCE P-CH</p> <p>9. SOURCE P-CH</p> <p>10. COMMON DRAIN (OUTPUT)</p> <p>11. COMMON DRAIN (OUTPUT)</p> <p>12. COMMON DRAIN (OUTPUT)</p> <p>13. GATE N-CH</p> <p>14. COMMON DRAIN (OUTPUT)</p> <p>15. COMMON DRAIN (OUTPUT)</p> <p>16. SOURCE N-CH</p> |  |

### SOLDERING FOOTPRINT



|                  |             |  |
|------------------|-------------|--|
| DOCUMENT NUMBER: | 98ASB42566B | Electronic versions are uncontrolled except when accessed directly from the Document Repository. Printed versions are uncontrolled except when stamped "CONTROLLED COPY" in red. |
| DESCRIPTION:     | SOIC-16     | PAGE 1 OF 1  |

ON Semiconductor and ON are trademarks of Semiconductor Components Industries, LLC dba ON Semiconductor or its subsidiaries in the United States and/or other countries. ON Semiconductor reserves the right to make changes without further notice to any products herein. ON Semiconductor makes no warranty, representation or guarantee regarding the suitability of its products for any particular purpose, nor does ON Semiconductor assume any liability arising out of the application or use of any product or circuit, and specifically disclaims any and all liability, including without limitation special, consequential or incidental damages. ON Semiconductor does not convey any license under its patent rights nor the rights of others.



# MECHANICAL CASE OUTLINE

## PACKAGE DIMENSIONS

ON Semiconductor®



TSSOP-16  
CASE 948F-01  
ISSUE B

DATE 19 OCT 2006



NOTES:

1. DIMENSIONING AND TOLERANCING PER ANSI Y14.5M, 1982.
2. CONTROLLING DIMENSION: MILLIMETER.
3. DIMENSION A DOES NOT INCLUDE MOLD FLASH. PROTRUSIONS OR GATE BURRS. MOLD FLASH OR GATE BURRS SHALL NOT EXCEED 0.15 (0.006) PER SIDE.
4. DIMENSION B DOES NOT INCLUDE INTERLEAD FLASH OR PROTRUSION. INTERLEAD FLASH OR PROTRUSION SHALL NOT EXCEED 0.25 (0.010) PER SIDE.
5. DIMENSION K DOES NOT INCLUDE DAMBAR PROTRUSION. ALLOWABLE DAMBAR PROTRUSION SHALL BE 0.08 (0.003) TOTAL IN EXCESS OF THE K DIMENSION AT MAXIMUM MATERIAL CONDITION.
6. TERMINAL NUMBERS ARE SHOWN FOR REFERENCE ONLY.
7. DIMENSION A AND B ARE TO BE DETERMINED AT DATUM PLANE -W-.

| DIM | MILLIMETERS |      | INCHES    |       |
|-----|-------------|------|-----------|-------|
|     | MIN         | MAX  | MIN       | MAX   |
| A   | 4.90        | 5.10 | 0.193     | 0.200 |
| B   | 4.30        | 4.50 | 0.169     | 0.177 |
| C   | ---         | 1.20 | ---       | 0.047 |
| D   | 0.05        | 0.15 | 0.002     | 0.006 |
| F   | 0.50        | 0.75 | 0.020     | 0.030 |
| G   | 0.65 BSC    |      | 0.026 BSC |       |
| H   | 0.18        | 0.28 | 0.007     | 0.011 |
| J   | 0.09        | 0.20 | 0.004     | 0.008 |
| J1  | 0.09        | 0.16 | 0.004     | 0.006 |
| K   | 0.19        | 0.30 | 0.007     | 0.012 |
| K1  | 0.19        | 0.25 | 0.007     | 0.010 |
| L   | 6.40 BSC    |      | 0.252 BSC |       |
| M   | 0°          | 8°   | 0°        | 8°    |

SOLDERING FOOTPRINT



GENERIC MARKING DIAGRAM\*



- XXXX = Specific Device Code
- A = Assembly Location
- L = Wafer Lot
- Y = Year
- W = Work Week
- G or ■ = Pb-Free Package

\*This information is generic. Please refer to device data sheet for actual part marking. Pb-Free indicator, "G" or microdot "■", may or may not be present.

|                  |             |  |
|------------------|-------------|--|
| DOCUMENT NUMBER: | 98ASH70247A | Electronic versions are uncontrolled except when accessed directly from the Document Repository. Printed versions are uncontrolled except when stamped "CONTROLLED COPY" in red. |
| DESCRIPTION:     | TSSOP-16    | PAGE 1 OF 1  |

ON Semiconductor and ON are trademarks of Semiconductor Components Industries, LLC dba ON Semiconductor or its subsidiaries in the United States and/or other countries. ON Semiconductor reserves the right to make changes without further notice to any products herein. ON Semiconductor makes no warranty, representation or guarantee regarding the suitability of its products for any particular purpose, nor does ON Semiconductor assume any liability arising out of the application or use of any product or circuit, and specifically disclaims any and all liability, including without limitation special, consequential or incidental damages. ON Semiconductor does not convey any license under its patent rights nor the rights of others.

**onsemi**, **Onsemi**, and other names, marks, and brands are registered and/or common law trademarks of Semiconductor Components Industries, LLC dba "**onsemi**" or its affiliates and/or subsidiaries in the United States and/or other countries. **onsemi** owns the rights to a number of patents, trademarks, copyrights, trade secrets, and other intellectual property. A listing of **onsemi**'s product/patent coverage may be accessed at [www.onsemi.com/site/pdf/Patent-Marking.pdf](http://www.onsemi.com/site/pdf/Patent-Marking.pdf). **onsemi** reserves the right to make changes at any time to any products or information herein, without notice. The information herein is provided "as-is" and **onsemi** makes no warranty, representation or guarantee regarding the accuracy of the information, product features, availability, functionality, or suitability of its products for any particular purpose, nor does **onsemi** assume any liability arising out of the application or use of any product or circuit, and specifically disclaims any and all liability, including without limitation special, consequential or incidental damages. Buyer is responsible for its products and applications using **onsemi** products, including compliance with all laws, regulations and safety requirements or standards, regardless of any support or applications information provided by **onsemi**. "Typical" parameters which may be provided in **onsemi** data sheets and/or specifications can and do vary in different applications and actual performance may vary over time. All operating parameters, including "Typicals" must be validated for each customer application by customer's technical experts. **onsemi** does not convey any license under any of its intellectual property rights nor the rights of others. **onsemi** products are not designed, intended, or authorized for use as a critical component in life support systems or any FDA Class 3 medical devices or medical devices with a same or similar classification in a foreign jurisdiction or any devices intended for implantation in the human body. Should Buyer purchase or use **onsemi** products for any such unintended or unauthorized application, Buyer shall indemnify and hold **onsemi** and its officers, employees, subsidiaries, affiliates, and distributors harmless against all claims, costs, damages, and expenses, and reasonable attorney fees arising out of, directly or indirectly, any claim of personal injury or death associated with such unintended or unauthorized use, even if such claim alleges that **onsemi** was negligent regarding the design or manufacture of the part. **onsemi** is an Equal Opportunity/Affirmative Action Employer. This literature is subject to all applicable copyright laws and is not for resale in any manner.

## PUBLICATION ORDERING INFORMATION

### LITERATURE FULFILLMENT:

Email Requests to: [orderlit@onsemi.com](mailto:orderlit@onsemi.com)

**onsemi Website:** [www.onsemi.com](http://www.onsemi.com)

### TECHNICAL SUPPORT

**North American Technical Support:**

Voice Mail: 1 800-282-9855 Toll Free USA/Canada

Phone: 011 421 33 790 2910

**Europe, Middle East and Africa Technical Support:**

Phone: 00421 33 790 2910

For additional information, please contact your local Sales Representative