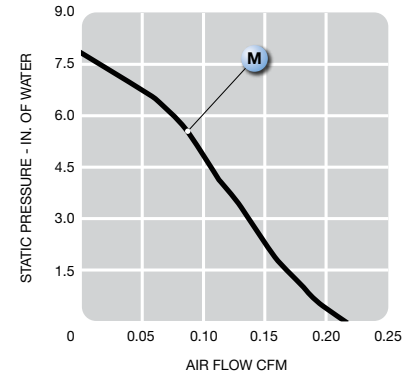
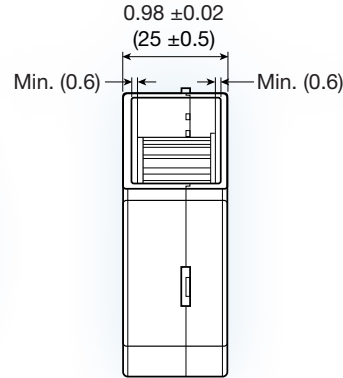
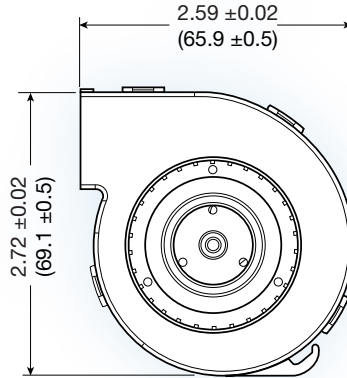


B7025 series



(69 x 66 x 25 mm)

2.70 x 2.60 x 0.98 inches

Features:	side exhaust blower
Construction:	UL94V-0 PBT impeller and frame
Bearing option:	2 ball bearing or fluid dynamic bearing
Connection:	lead wires
Protection:	thermal
Options:	tachometer output or locked rotor alarm signal

Model No.	Rated Voltage V	Current mA	Speed RPM	Air Volume		Max. Static Pressure (H ₂ O)		Sound Noise dBa	Weight g
				M ³ /Min.	CFM	MM	INCH		
B7025M*	12	300	2600	0.22	7.77	7.80	0.30	35	55

*This speed not UL recognized