

NCP81141

Single-Phase Controller with SVID Interface for Desktop and Notebook CPU Applications

The NCP81141 Single-Phase buck solution is optimized for Intel VR12.6 compatible CPUs. The controller combines true differential voltage sensing, differential inductor DCR current sensing, input voltage feed-forward, and adaptive voltage positioning to provide accurately regulated power for both Desktop and Notebook applications. The single phase controller uses DCR current sensing providing the fastest initial response to dynamic load events at reduced system cost.

The NCP81141 incorporates an internal MOSFET driver for improved system efficiency. High performance operational error amplifiers are provided to simplify compensation of the system. Patented Dynamic Reference Injection further simplifies loop compensation by eliminating the need to compromise between closed-loop transient response and Dynamic VID performance. Patented Total Current Summing provides highly accurate digital current monitoring.

Features

- Meets Intel™ VR12.6 Specifications
- High Performance Operational Error Amplifier
- Digital Soft Start Ramp
- Dynamic Reference Injection
- “Lossless” DCR Current Sensing
- Adaptive Voltage Positioning (AVP)
- Switching Frequency Range of 250 kHz – 1 MHz
- VIN Range 4.5 V – 25 V
- Startup into Pre-Charged Load While Avoiding False OVP
- Vin Feed Forward Ramp Slope
- Over Voltage Protection (OVP) and Under Voltage Protection (UVP)
- Over Current Protection (OCP)
- VR–RDY Output with Internal Delays
- These Devices are Pb–Free and are RoHS Compliant

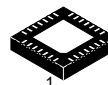
Applications

- Desktop and Notebook Processors



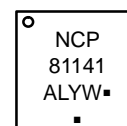
ON Semiconductor®

www.onsemi.com



QFN28
CASE 485AR

MARKING DIAGRAM



- A = Assembly Location
- L = Wafer Lot
- Y = Year
- W = Work Week
- = Pb–Free Package

(Note: Microdot may be in either location)

ORDERING INFORMATION

See detailed ordering and shipping information in the package dimensions section on page 21 of this data sheet.

NCP81141

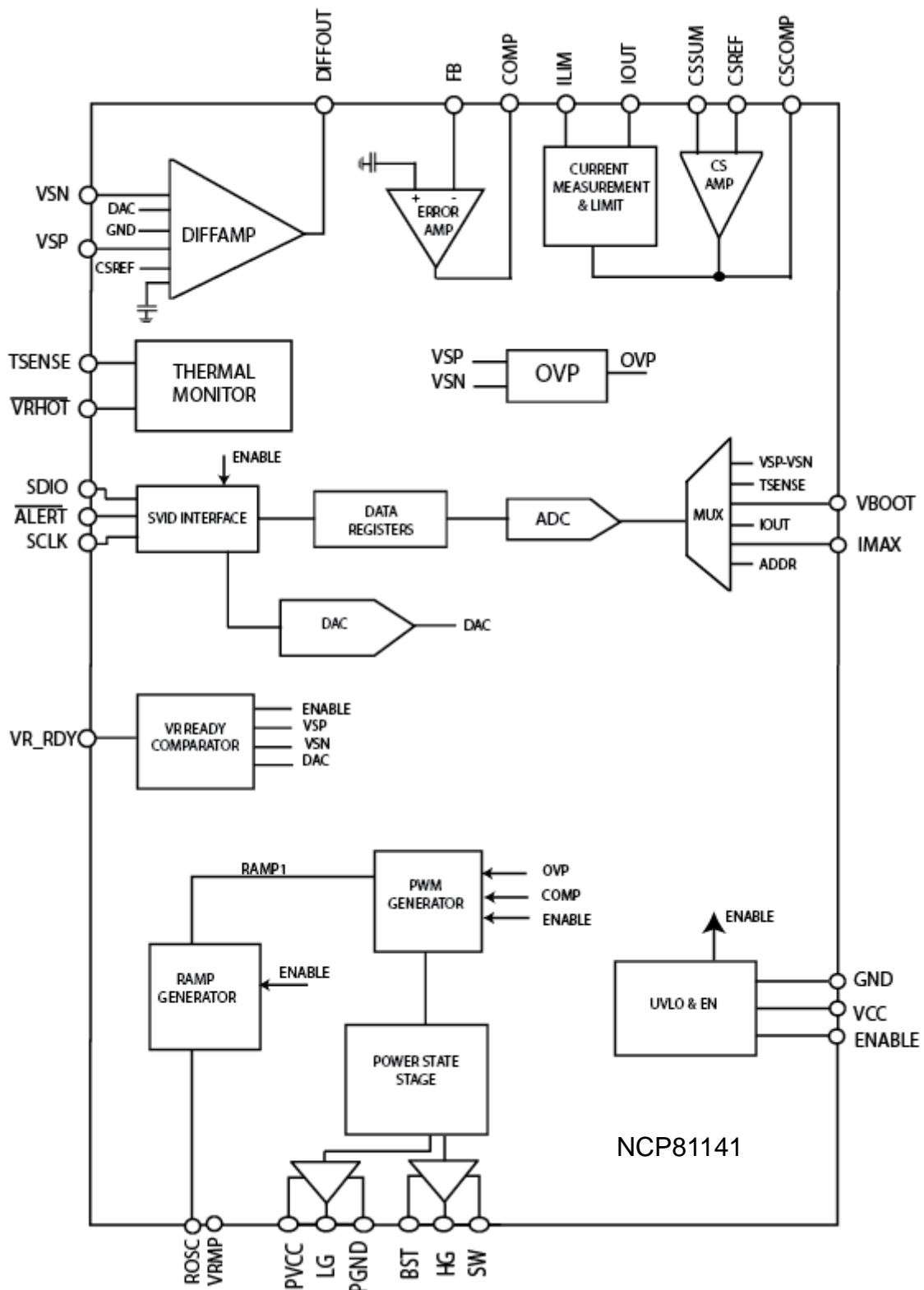


Figure 1. Block Diagram for NCP81141

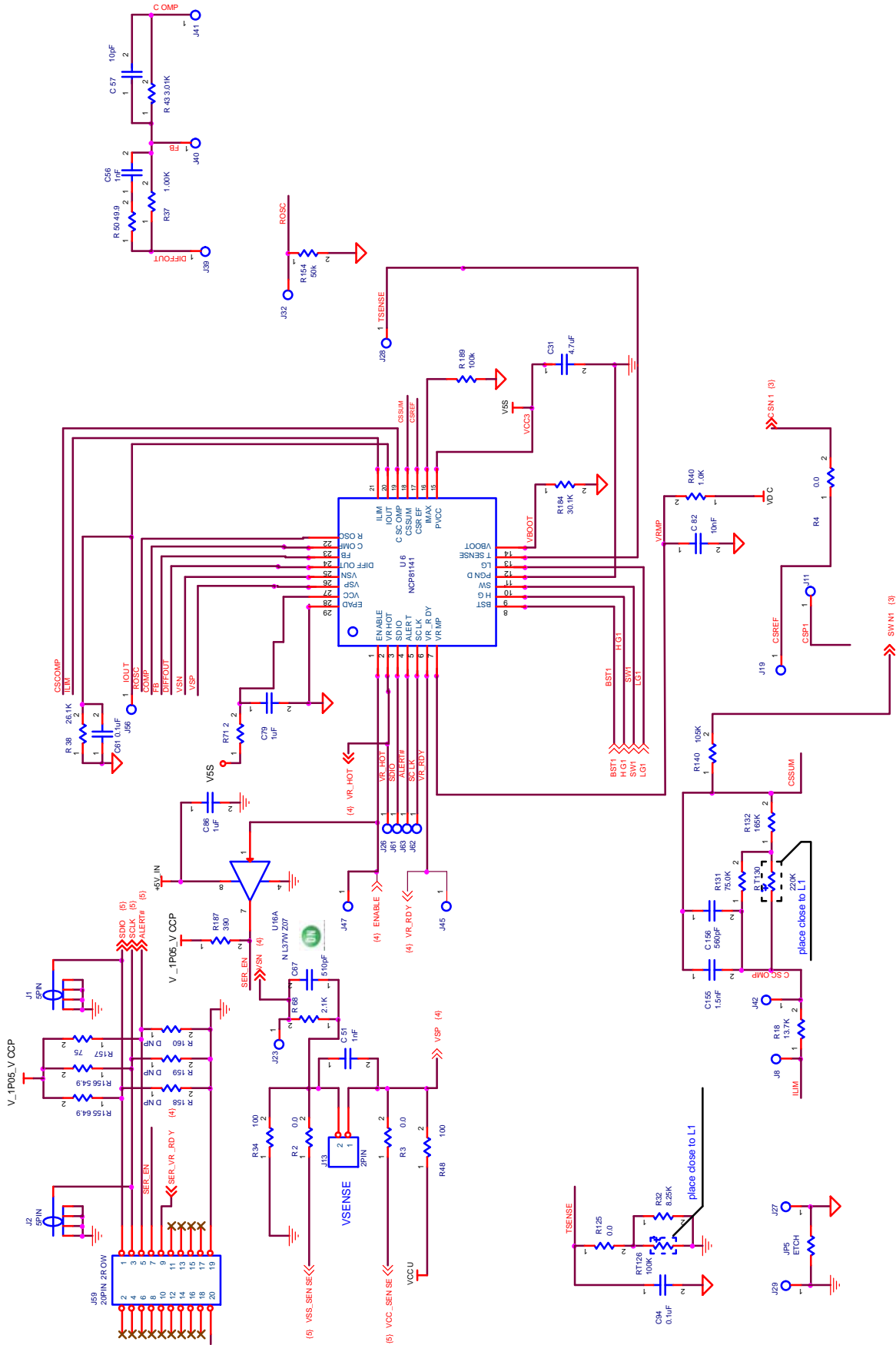


Figure 2. Controller Application Schematic

NCP81141

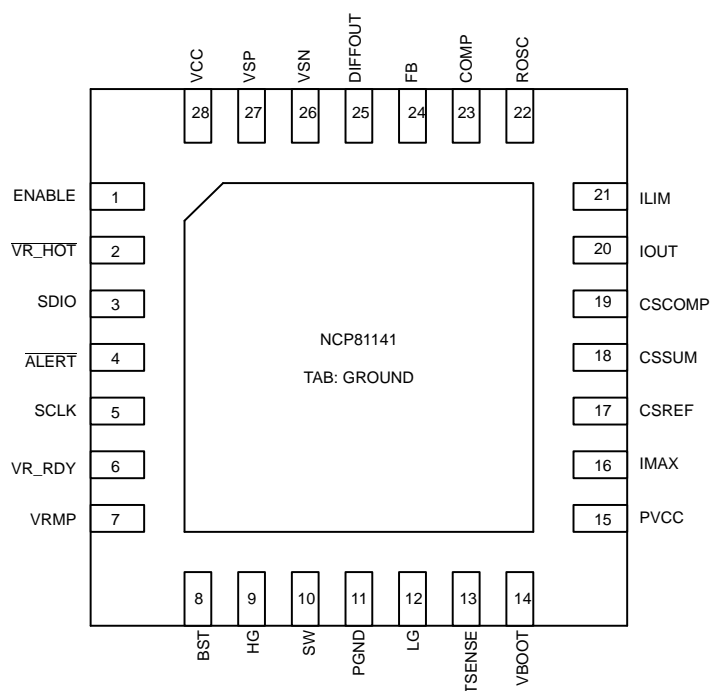


Figure 4. NCP81141 Pin Configurations

NCP81141 SINGLE ROW PIN DESCRIPTIONS

Pin No.	Symbol	Description
1	ENABLE	Logic input. Logic high enables both outputs and logic low disables both outputs
2	VR_HOT#	Thermal logic output for over temperature
3	SDIO	Serial VID data interface
4	ALERT#	Serial VID ALERT#
5	SCLK	Serial VID clock
6	VR_RDY	Open drain output. High indicates that the output is regulating
7	VRMP	Feed-forward input of V_{in} for the ramp slope compensation. The current fed into this pin is used to control the ramp of PWM slope
8	BST	High-Side bootstrap supply for phase 1
9	HG	High side gate driver output for phase 1
10	SW	Current return for high side gate driver 1
11	PGND	Power Ground for gate driver
12	LG	Low-Side gate driver output for phase 1
13	TSENSE	Temp Sense input for the single phase converter
14	VBOOT	An input pin to adjust the boot-up voltage. During start up it is used to program VBOOT with a resistor to ground
15	PVCC	Power Supply for gate driver, recommended decoupling 2.2 μ F
16	IMAX	Imax Input Pin. During start up it is used to program IMAX with a resistor to ground
17	CSREF	Total output current sense amplifier reference voltage input
18	CSSUM	Inverting input of total current sense amplifier
19	CSCOMP	Output of total current sense amplifier
20	IOOUT	Total output current monitor
21	ILIM	Over current shutdown threshold setting. Resistor to CSCOMP to set threshold

NCP81141

NCP81141 SINGLE ROW PIN DESCRIPTIONS

Pin No.	Symbol	Description
22	ROSC	A resistance from this pin to ground programs the oscillator frequency
23	COMP	Output of the error amplifier and the inverting input of the PWM comparator
24	FB	Error amplifier voltage feedback
25	DIFFOUT	Output of the differential remote sense amplifier
26	VSN	Inverting input to differential remote sense amplifier
27	VSP	Non-inverting input to the differential remote sense amplifier
28	VCC	Power for the internal control circuits. A decoupling capacitor is connected from this pin to ground
29	FLAG/GND	

NCP81141

ABSOLUTE MAXIMUM RATINGS

ELECTRICAL INFORMATION

Pin Symbol	V _{MAX}	V _{MIN}
COMP	V _{CC} + 0.3 V	-0.3 V
CSCOMP	V _{CC} + 0.3 V	-0.3 V
VSN	GND + 300 mV	GND - 300 mV
DIFFOUT	V _{CC} + 0.3 V	-0.3 V
VR_RDY	V _{CC} + 0.3 V	-0.3 V
VCC	6.5 V	-0.3 V
ROSC	V _{CC} + 0.3 V	-0.3 V
IOUT	2.0 V	-0.3 V
VRMP	+25 V	-0.3 V
SW	35 V 40 V ≤ 50 ns	-5 V -10 V ≤ 200 ns
BST	35 V wrt/ GND 40 V ≤ 50 ns wrt/GND 6.5 V wrt/ SW	-0.3 V wrt/SW
LG	V _{CC} + 0.3 V	-0.3 V -5 V ≤ 200 ns
HG	BST + 0.3 V	-0.3 V wrt/ SW -2 V ≤ 200 ns wrt/SW
All Other Pins	V _{CC} + 0.3 V	-0.3 V

*All signals referenced to GND unless noted otherwise.

THERMAL INFORMATION

Description	Symbol	Typ	Unit
Thermal Characteristic QFN Package (Note 1)	R _{θJA}	68	°C/W
Operating Junction Temperature Range (Note 2)	T _J	-40 to +125	°C
Operating Ambient Temperature Range		-40 to +100	°C
Maximum Storage Temperature Range	T _{STG}	-40 to +150	°C
Moisture Sensitivity Level QFN Package	MSL	1	

*The maximum package power dissipation must be observed.

1. JESD 51-5 (1S2P Direct-Attach Method) with 0 LFM
2. JESD 51-7 (1S2P Direct-Attach Method) with 0 LFM

NCP81141

ELECTRICAL CHARACTERISTICS

Unless otherwise stated: $-40^{\circ}\text{C} < T_A < 100^{\circ}\text{C}$; $V_{CC} = 5\text{ V}$; $C_{VCC} = 0.1\ \mu\text{F}$

Parameter	Test Conditions	Min	Typ	Max	Unit
-----------	-----------------	-----	-----	-----	------

ERROR AMPLIFIER

Input Bias Current	@ 1.3 V	-21		21	μA
Open Loop DC Gain	CL = 20 pF to GND, RL = 10 k Ω to GND		80		dB
Open Loop Unity Gain Bandwidth	CL = 20 pF to GND, RL = 10 k Ω to GND		20		MHz
Slew Rate	$\Delta V_{in} = 100\text{ mV}$, $G = -10\text{ V/V}$, $\Delta V_{out} = 1.5\text{ V} - 2.5\text{ V}$, CL = 20 pF to GND, DC Load = 10k to GND		25		V/ μs
Maximum Output Voltage	I _{SOURCE} = 2.0 mA	3.5			V
Minimum Output Voltage	I _{SINK} = 2.0 mA			1	V

DIFFERENTIAL SUMMING AMPLIFIER

Input Bias Current	VSP, CSREF = 1.3 V	-12		12	μA
VSP Input Voltage Range		-0.3		3.0	V
VSN Input Voltage Range		-0.3		0.3	V
-3dB Bandwidth	CL = 20 pF to GND, RL = 10 k Ω to GND		10		MHz
Closed Loop DC gain	VS+ to VS- = 0.5 to 1.3 V		1.0		V/V

CURRENT SUMMING AMPLIFIER

Offset Voltage (Vos), (Note 3)		-300		300	μV
Input Bias Current	CSSUM = CSREF = 1 V	-7.5		7.5	nA
Open Loop Gain			80		dB
Current Sense Unity Gain Bandwidth	C _L = 20 pF to GND, R _L = 10 k Ω to GND		10		MHz

INPUT SUPPLY

Supply Voltage Range		4.75		5.25	V
VCC Quiescent Current	EN = high, PS0, PS1 Mode		15	18	mA
	EN = high, PS3 Mode		8.0	12	mA
	EN = high, PS4 Mode (@ 25°C)			200	μA
	EN = low		50		μA
UVLO Threshold	VCC rising			4.5	V
	VCC falling	4.0			V
VCC UVLO Hysteresis			160		mV
UVLO Threshold	VRMP rising			4.1	V
	VRMP falling	3.0			V

DAC SLEW RATE

Soft Start Slew Rate			Fast_SR/4		mV/ μs
Slew Rate Slow			Fast_SR/2 Fast_SR/4 Fast_SR/8 Fast_SR/16		mV/ μs
Slew Rate Fast			48		mV/ μs

3. Guaranteed by design or characterization data, not in production test.

NCP81141

ELECTRICAL CHARACTERISTICS

Unless otherwise stated: $-40^{\circ}\text{C} < T_A < 100^{\circ}\text{C}$; $V_{CC} = 5\text{ V}$; $C_{VCC} = 0.1\ \mu\text{F}$

Parameter	Test Conditions	Min	Typ	Max	Unit
-----------	-----------------	-----	-----	-----	------

ENABLE INPUT

Enable High Input Leakage Current	External 1k pull-up to 3.3 V			1.0	μA
Upper Threshold	V_{UPPER}	0.8			V
Lower Threshold	V_{LOWER}			0.3	V
Total Hysteresis	$V_{UPPER} - V_{LOWER}$		90		mV

IOOUT OUTPUT

Input Referred Offset Voltage	Ilimit to CSREF	-5.5		5.5	mV
Output Source Current	Ilimit sink current = 80 μA			850	μA
Current Gain	$(I_{OUT_CURRENT}) / (I_{LIMIT_CURRENT})$, $R_{ILIM} = 20\text{k}$, $R_{IOOUT} = 5.0\text{k}$, DAC = 0.8 V, 1.25 V, 1.52 V	9.75	10	10.25	

OSCILLATOR

Switching Frequency Range		250		1200	kHz
---------------------------	--	-----	--	------	-----

ZERO CURRENT DETECT (ZCD)

ZCD threshold, DCM detection	SW wrt PGND		-0.5		mV
------------------------------	-------------	--	------	--	----

OUTPUT OVER VOLTAGE & UNDER VOLTAGE PROTECTION (OVP & UVP)

Absolute Over Voltage Threshold During Soft Start	CSREF		2.9		V
Over Voltage Threshold Above DAC	VSP rising	350	400	440	mV
Over Voltage Delay	VSP rising		50		ns
Under Voltage Protection	VCC rising	250	300	350	mV
	VCC falling	255	300	325	mV
Under Voltage Delay	Ckt in development		5		μs

OVERCURRENT PROTECTION

ILIM Threshold Current (OCP shutdown after 50 μs delay)	(PS0) Rlim = 20k	9.0	10	11.0	μA
ILIM Threshold Current (immediate OCP shutdown)	(PS0) Rlim = 20k	13.5	15	16.5	μA
ILIM Threshold Current (OCP shutdown after 50 μs delay)	(PS1, PS2, PS3) Rlim = 20k		10		μA
ILIM Threshold Current (immediate OCP shutdown)	(PS1, PS2, PS3) Rlim = 20k, PS0 mode		15		μA

VR_HOT#

Output Low Voltage	$I_{VRHOT} = -4\text{ mA}$			0.3	V
Output Leakage Current	High Impedance State	-1.0		1.0	μA

TSENSE

Alert# Assert Threshold			491		mV
Alert# De-assert Threshold			513		mV
VRHOT Assert Threshold			472		mV
VRHOT Rising Threshold			494		mV
TSENSE Bias Current		115	120	125	μA

ADC

Voltage Range		0		2	V
---------------	--	---	--	---	---

3. Guaranteed by design or characterization data, not in production test.

NCP81141

ELECTRICAL CHARACTERISTICS

Unless otherwise stated: $-40^{\circ}\text{C} < T_A < 100^{\circ}\text{C}$; $V_{CC} = 5\text{ V}$; $C_{VCC} = 0.1\ \mu\text{F}$

Parameter	Test Conditions	Min	Typ	Max	Unit
-----------	-----------------	-----	-----	-----	------

ADC

Total Unadjusted Error (TUE)		-1.25		1.25	%
Differential Nonlinearity (DNL)	8-bit, no missing codes			1	LSB
Power Supply Sensitivity			± 1		%
Conversion Time			30		μs
Round Robin			90		μs

VR_RDY,(Power Good) Output

Output Low Saturation Voltage	$I_{VR_RDY} = 4\text{ mA}$			0.3	V
Rise Time	External pull-up of $1\text{ k}\Omega$ to 3.3 V , $C_{TOT} = 45\text{ pF}$, $\Delta V_o = 10\%$ to 90%		100		ns
Fall Time	External pull-up of $1\text{ k}\Omega$ to 3.3 V , $C_{TOT} = 45\text{ pF}$, $\Delta V_o = 90\%$ to 10%		10		ns
Output Voltage at Power-up	VR_RDY pulled up to 5 V via $2\text{ k}\Omega$			1.2	V
Output Leakage Current When High	VR_RDY = 5.0 V	-1.0		1.0	μA
VR_RDY Delay (rising)	DAC = TARGET to VR_RDY		50		μs
VR_RDY Delay (falling)	From OCP or OVP		5		μs

HIGH-SIDE MOSFET DRIVER

Pull-up Resistance, Sourcing Current	BST = PVCC		1.2	2.9	Ω
High Side Driver Sourcing Current	BST = PVCC		4.17		A
Pull-down Resistance, Sinking Current	BST = PVCC		0.8	2.2	Ω
High Side Driver Sinking Current	BST = PVCC		6.25		A
HG Rise Time	$V_{CC} = 5\text{ V}$, 3 nF load, BST-SW = 5 V	6.0	16	30	ns
HG Fall Time	$V_{CC} = 5\text{ V}$, 3 nF load, BST-SW = 5 V	6.0	11	30	ns
DRVH Turn-Off Propagation Delay $tpdh_{DRVH}$	$C_{LOAD} = 3\text{ nF}$	4.0		30	ns
HG Turn on Propagation Delay $tpdl_{DRVH}$	$C_{LOAD} = 3\text{ nF}$	15	30	40	ns
SW Pull-Down Resistance	SW to PGND		1.9		$\text{k}\Omega$
LG Pull-Down Resistance	HG to SWBST-SW = 0 V		1.9		$\text{k}\Omega$

LOW-SIDE MOSFET DRIVER

Pull-up Resistance, Sourcing Current			0.9	3.0	Ω
Low Side Driver Sourcing Current			5.56		A
Pull-down Resistance, Sinking Current			0.8	2.0	Ω
Low Side Driver Sinking Current			12.5		A
LG Rise Time	3 nF load	6.0	16	30	ns
LG Fall Time	3 nF load	6.0	11	30	ns
LG Turn-On Propagation Delay $tpdh_{DRV_L}$	$C_{LOAD} = 3\text{ nF}$		11	30	ns
LG Pull-Down Resistance	LG to PGND, $V_{CC} = 5\text{ V}$		1.9		$\text{k}\Omega$
PVCC Quiescent Current	EN = L (Shutdown) EN = H, no switching		1.0 490		μA

3. Guaranteed by design or characterization data, not in production test.

NCP81141

ELECTRICAL CHARACTERISTICS

Unless otherwise stated: $-40^{\circ}\text{C} < T_A < 100^{\circ}\text{C}$; $V_{CC} = 5\text{ V}$; $C_{VCC} = 0.1\ \mu\text{F}$

Parameter	Test Conditions	Min	Typ	Max	Unit
-----------	-----------------	-----	-----	-----	------

BOOTSTRAP RECTIFIER SWITCH

On Resistance	EN_L or EN = H with DRVL = H	5.0	9.0	22	Ω
---------------	------------------------------	-----	-----	----	----------

3. Guaranteed by design or characterization data, not in production test.

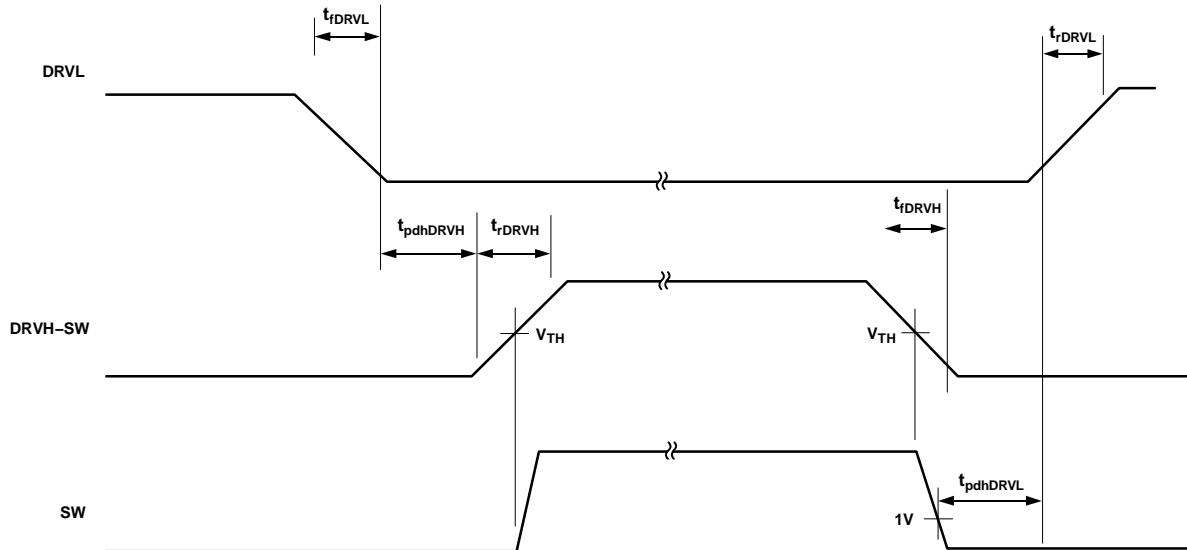


Figure 5. Driver Timing Diagram

NOTE: Timing is referenced to the 90% and the 10% points, unless otherwise stated.

NCP81141

STATE TRUTH TABLE

STATE	VR_RDY Pin	Error AMP Comp Pin	OVP & UVP	Method of Reset
POR 0 < VCC < UVLO	N/A	N/A	N/A	
Disabled EN < threshold UVLO >threshold	Low	Low	Disabled	
Start up Delay & Calibration EN > threshold UVLO >threshold	Low	Low	Disabled	
Soft Start EN > threshold UVLO >threshold	Low	Operational	Active / No latch	
Normal Operation EN > threshold UVLO >threshold	High	Operational	Active / Latching	N/A
Over Voltage	Low	N/A	DAC + 150 mV	
Over Current	Low	Operational	Last DAC Code	
V _{OUT} = 0 V	Low: if Reg34h.bit0 = 0; High:if Reg34h.bit0 = 1;	Clamped at 0.9 V	Disabled	

General

The NCP81141 is a single phase PWM controller with integrated driver, designed to meet the Intel VR12.6 specifications with a serial SVID control interface. It is designed to work in notebook and desktop applications.

The NCP81141 has one internal Driver: DRV1. Internally, there is a single PWM signal: PWM1. DRV1 is driven by PWM1.

Serial VID interface (SVID)

For SVID Interface communication details please contact Intel Inc.

BOOT VOLTAGE PROGRAMMING

The NCP81141 has a Vboot voltage that can be externally programmed. The Boot voltage for the NCP81141 is set using VBOOT pin on power up. A 10uA current is sourced from the VBoot pin and the resulting voltage is measured. This is compared with the thresholds in table below. This value is programmed on power up and cannot be changed after the initial power up sequence is complete.

BOOT VOLTAGE TABLE

R	Vboot
30.1k	0 V
49.9k	1.65 V
69.8k	1.70 V
90.9k	1.75 V

REMOTE SENSE AMPLIFIER

A high performance high input impedance true differential amplifier is provided to accurately sense the output voltage of the regulator. The VSP and VSN inputs should be connected to the regulator’s output voltage sense points. The remote sense amplifier takes the difference of the output voltage with the DAC voltage and adds the droop voltage to

$$V_{DIFOUT} = (V_{VSP} - V_{VSN}) + (1.3\text{ V} - V_{DAC}) + (V_{DROOP} - V_{CSREF})$$

This signal then goes through a standard error compensation network and into the inverting input of the error amplifier. The non-inverting input of the error amplifier is connected to the same 1.3 V reference used for the differential sense amplifier output bias.

REMOTE SENSE AMPLIFIER

The differential current-sense circuit diagram is shown in figure below. An internally-used signal Vcs, representing the inductor current level, is the voltage difference between CSREF and CSCOMP. The output side of the inductor is used to create a low impedance virtual ground. The current-sense amplifier actively filters and gains up the voltage applied across the inductor to recover the voltage drop across the inductor’s DC resistance(DCR). RCS_NTC is placed close to the inductor and compensate for the change in the DCR with temperature.

The DC gain in the current sending loop is

$$GCS = \frac{VCS}{VDCR} = \frac{(VCSREF - VSCOMP)}{(I_{out} \times DCR)} = \frac{RCS}{RCS3}$$

$$RCS = RCS2 + \frac{(RCS1 \times RCS_NTC)}{(RCS1 + RCS_NTC)}$$

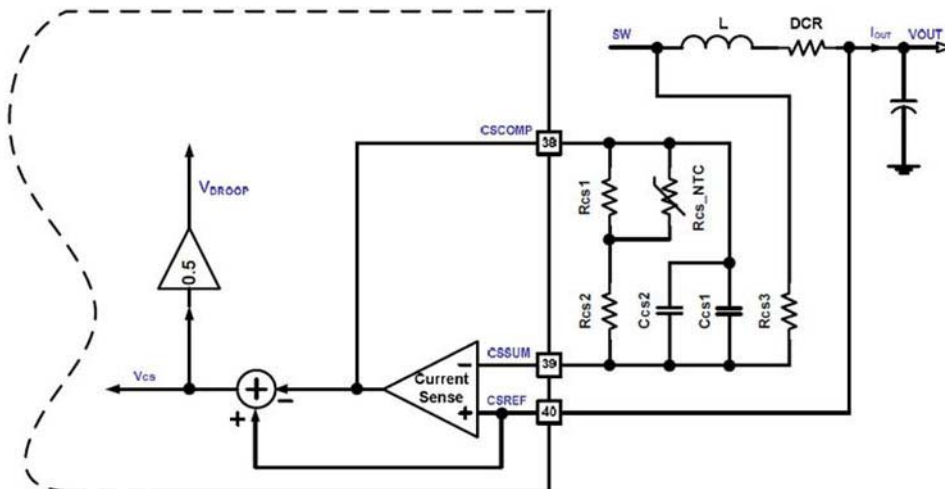


Figure 6. Differential Current-Sense Circuit diagram

High Performance Voltage Error Amplifier

A high performance error amplifier is provided for high bandwidth transient performance. A standard type 3 compensation circuit is normally used to compensate the system.

Current Sense Amplifier

The output current signal is floating with respect to CSREF. The current signal is the difference between CSCOMP and CSREF. The output side of the inductor is used to create a low impedance virtual ground. The amplifier actively filters and gains up the voltage applied across the inductor to recover the voltage drop across the inductor series resistance (DCR). Rth is placed near the inductor to sense the temperature of the inductor. This allows the filter time constant and gain to be a function of the Rth NTC resistor and compensate for the change in the DCR with temperature.

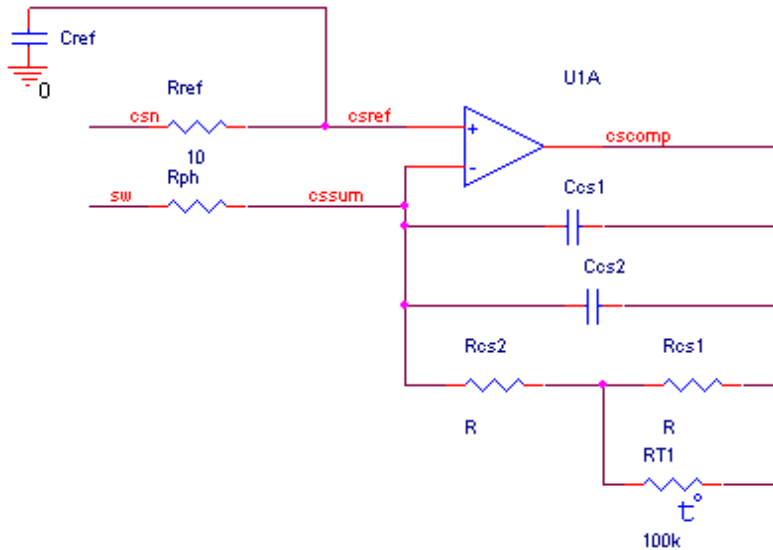


Figure 7. Current Sense Amplifier

The DC gain equation for the current sensing:

$$V_{CSCOMP-CSREF} = - \frac{Rcs2 + \frac{Rcs1 \cdot Rth}{Rcs1 + Rth}}{Rph} * (I_{out_Total} * DCR)$$

Set the gain by adjusting the value of the Rph resistor. The DC gain should be set to the output voltage droop. If the voltage from CSCOMP to CSREF is less than 100 mV at ICCMAX then it is recommend increasing the gain of the CSCOMP amp. This is required to provide a good current signal to offset voltage ratio for the ILIMIT pin. When no droop is needed, the gain of the amplifier should be set to provide ~100 mV across the current limit programming resistor at full load. The values of Rcs1 and Rcs2 are set based on the 100k NTC and the temperature effect of the inductor and should not need to be changed. The NTC should be placed close to the inductor.

The pole frequency in the CSCOMP filter should be set equal to the zero from the output inductor. This allows the circuit to recover the inductor DCR voltage drop current signal. Ccs1 and Ccs2 are in parallel to allow for fine tuning of the time constant using commonly available values. It is best to fine tune this filter during transient testing.

$$F_z = \frac{DCR@25^{\circ}C}{2 * \pi * L_{Phase}}$$

PROGRAMMING CURRENT LIMIT

The current limit thresholds are programmed with a resistor between the ILIMIT and CSCOMP pins. The ILIMIT pin mirrors the voltage at the CSREF pin and mirrors the sink current internally to IOUT (reduced by the IOUT Current Gain) and the current limit comparators. The 100% current limit trips if the ILIMIT sink current exceeds 10 μA for 50 μs. The 150% current limit trips with minimal delay if the ILIMIT sink current exceeds 15 μA. Set the value of the current limit resistor based on the CSCOMP–CSREF voltage as shown below. Note the loadline is set at 50% of cscomp/csref differential.

NCP81141

$$R_{LIMIT} = \frac{\left(2 * \frac{R_{cs} + \frac{R_{cs1} * R_{th}}{R_{cs1} + R_{th}}}{R_{ph}} * (I_{out_LIMIT} * DCR) \right)}{10\mu} \text{ or } R_{LIMIT} = \frac{(2 * V_{CSCOMP-CSREF@ILIMIT})}{10\mu}$$

PROGRAMMING IOUT

The IOUT pin sources a current in proportion to the ILIMIT sink current. The voltage on the IOUT pin is monitored by the internal A/D converter and should be scaled with an external resistor to ground such that a load equal to ICCMAX generates a 2 V signal on IOUT. A pull-up resistor from 5 V VCC can be used to offset the IOUT signal positive if needed.

$$R_{IOUT} = \frac{2.0 \text{ V} * R_{LIMIT}}{10 * \left(\frac{R_{cs2} + \frac{R_{cs1} * R_{th}}{R_{cs1} + R_{th}}}{R_{ph}} * (I_{out_ICCMAX} * DCR) * 2 \right)}$$

PROGRAMMING ICC_MAX

A resistor to Ground is monitored on startup and this sets the ICC_MAX value. 10 μA is sourced from these pins to generate a voltage on the program resistor. The resistor value should be no less than 10k.

$$ICC_MAX = \frac{R * 10 \mu\text{A} * 64 \text{ A}}{2 \text{ V}}$$

PROGRAMMING TSENSE

A temperature sense inputs are provided. A precision current is sourced out the output of the TSENSE pin to generate a voltage on the temperature sense network. The voltage on the temperature sense input is sampled by the internal A/D converter. A 100k NTC similar to the VISHAY ERT-J1VS104JA should be used. Rcomp1 is mainly used for noise. See the specification table for the thermal sensing voltage thresholds and source current.

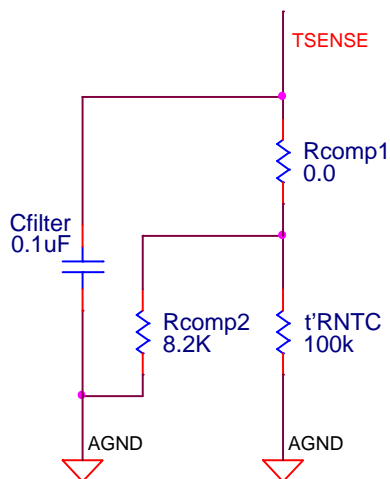


Figure 8. TSENSE Circuit

PRECISION OSCILLATOR

Switching frequency is programmed by a resistor R_{osc} to ground at the R_{osc} pin. The typical frequency range is from 500 kHz to 1.2 MHz. The $FREQ$ pin provides approximately 2 V out and the source current is mirrored into the internal ramp generator. The switching frequency can be found in figure below with a given R_{osc} . The frequency shown in the figure is under condition of 10 A output current at $VID = 1.8$ V. The frequency has a variation over VID voltage and loading current, which maintains similar output ripple voltage over different operation condition.

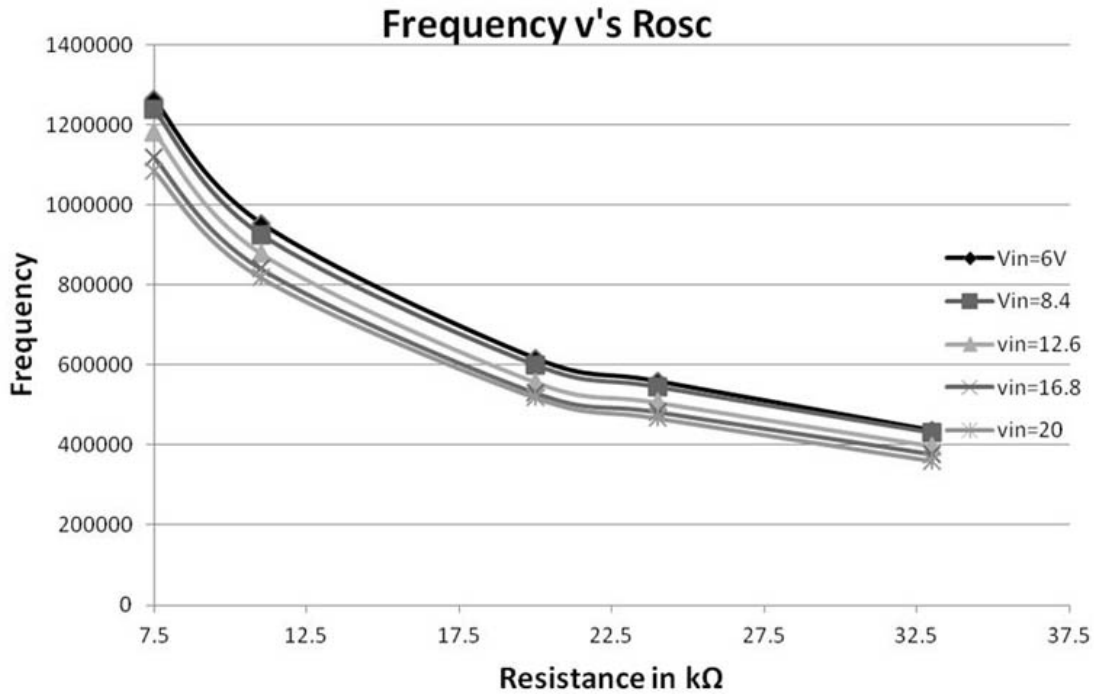


Figure 9. Operating Frequency vs. R_{osc}

The oscillator generates a triangular ramp that is 0.5 ~ 2.5 V in amplitude depending on the $VRMP$ pin voltage to provide input voltage feed forward compensation.

NCP81141

Programming the Ramp Feed-Forward Circuit

The ramp generator circuit provides the ramp used by the PWM comparators. The ramp generator provides voltage feed-forward control by varying the ramp magnitude with respect to the VRMP pin voltage. The VRMP pin also has a 3.2 V UVLO function. The VRMP UVLO is only active after the controller is enabled. The VRMP pin is high impedance input when the controller is disabled.

The PWM ramp time is changed according to the following

$$V_{\text{RAMppk}} = p k_{\text{pp}} = 0.1 \times V_{\text{VRMP}}$$

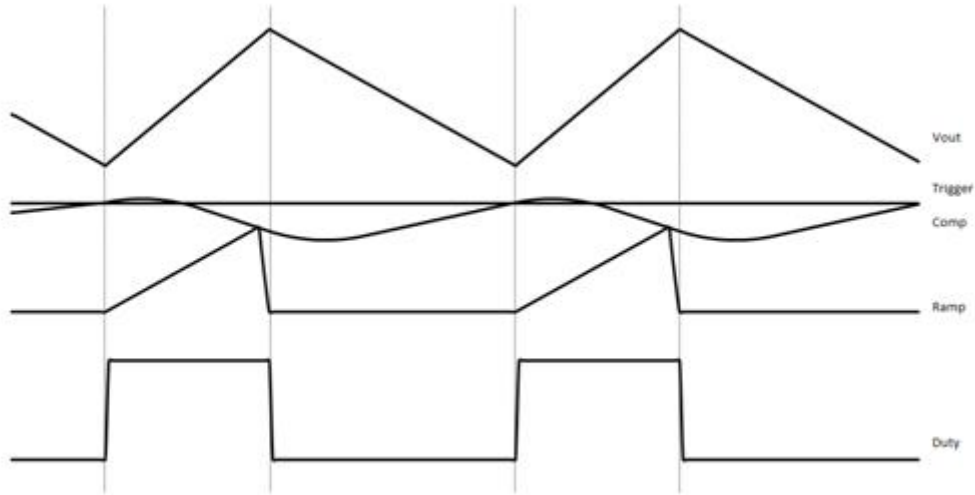


Figure 10. RPM Mode

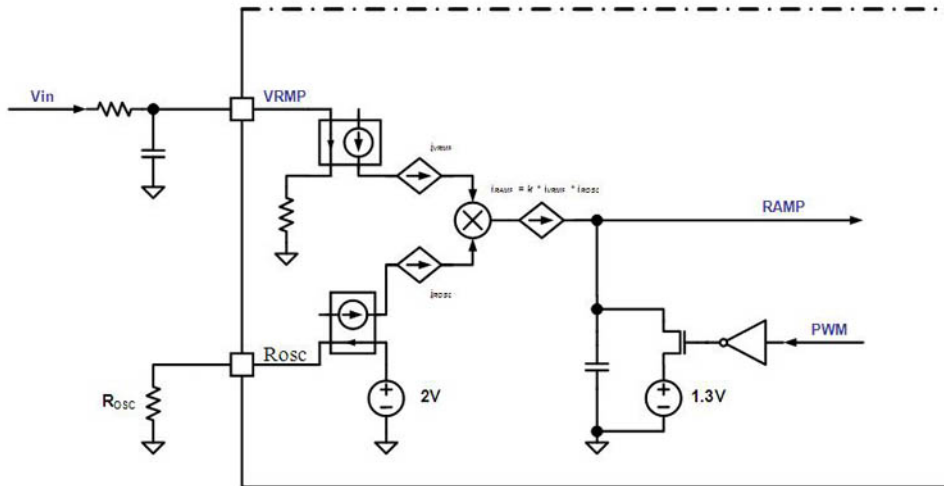
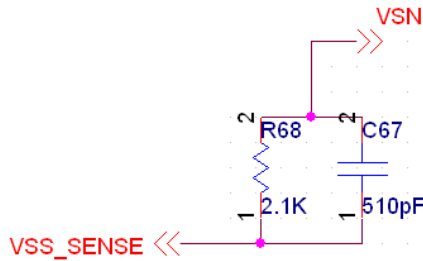


Figure 11. Ramp Feed Forward & ROSC setup

NCP81141

Programming DAC Feed-Forward Filter

The DAC feed-forward implementation is realized by having a filter on the VSN pin. Programming Rvsn sets the gain of the DAC feed-forward and Cvsn provides the time constant to cancel the time constant of the system per the following equations. Cout is the total output capacitance and Rout is the output impedance of the system.



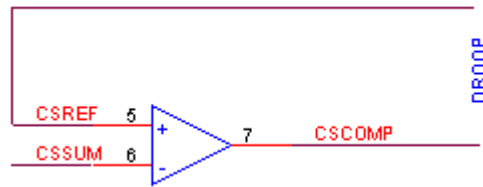
$$R_{vsn} = C_{out} * R_{out} * 453.6 \times 10^6$$

$$C_{vsn} = \frac{R_{out} * C_{out}}{R_{vsn}}$$

Figure 12. DAC Feed-Forward Filter

Programming DROOP

The signals CSCOMP and CSREF are differentially summed with the output voltage feedback to add precision voltage droop to the output voltage.



$$\text{Droop} = \text{DCR} * \left(\frac{R_{CS}}{R_{ph}} \right)$$

Figure 13. Droop

Phase COMPARITOR

The noninverting input of the comparator for phase one is connected to the output of the error amplifier (COMP) and the phase current ($I_L * \text{DCR} * \text{Phase Balance Gain Factor}$). The inverting input is connected to the oscillator ramp voltage with a 1.3 V offset. The operating input voltage range of the comparator is from 0 V to 3.0 V and the output of the comparator generates the PWM signal which is applied to the input of the internal driver.

During steady state operation, the duty cycle is centered on the valley of the sawtooth ramp waveform. The steady state duty cycle is still calculated by approximately V_{out}/V_{in} .

Protection Features

UNDERVOLTAGE LOCKOUT

There are several under voltage monitors in the system. Hysteresis is incorporated within the comparators. NCP81141 monitors the VCC Shunt supply. The gate driver monitors both the gate driver V_{CC} and the BST voltage.

SOFT START

Soft start is implemented internally. A digital counter steps the DAC up from zero to the target voltage based on the predetermined rate in the spec table.

OVER CURRENT LATCH-OFF PROTECTION

The NCP81141 compares a programmable current-limit set point to the voltage from the output of the current-summing amplifier. The level of current limit is set with the resistor from the ILIM pin to CSCOMP. The current through the external resistor connected between ILIM and CSCOMP is then compared to the internal current limit current I_{CL} . If the current generated through this resistor into the ILIM pin (Ilim) exceeds the internal current-limit threshold current (ICL), an internal latch-off counter starts, and the controller shuts down if the fault is not removed after 50 μ s (shut down immediately for 150% load current) after which the outputs will remain disabled until the V_{CC} voltage or EN is toggled.

NCP81141

The voltage swing seen on CSCOMP cannot go below ground. This limits the voltage drop across the DCR. The over-current limit is programmed by a resistor on the ILIM pin. The resistor value can be calculated by the following equation:

$$R_{ILIM} = \frac{(I_{LIM} * DCR * R_{CS} / R_{PH}) * 2}{I_{CL}}$$

Where $I_{CL} = 10 \mu A$.

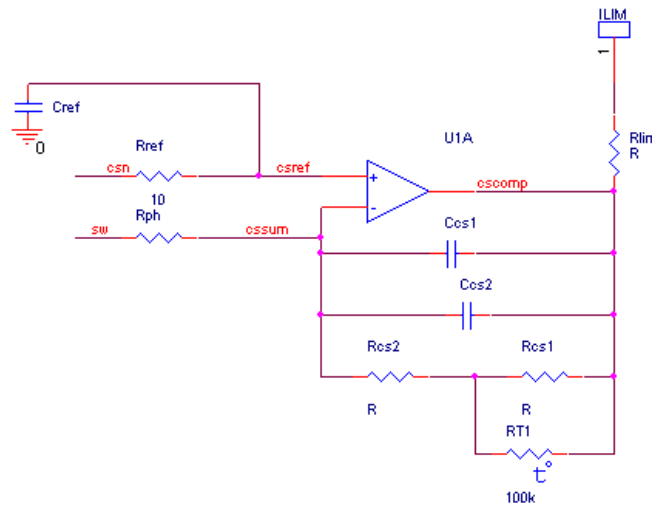


Figure 14. Current Limit

UNDER VOLTAGE MONITOR

The output voltage is monitored at the output of the differential amplifier for UVLO. If the output falls more than 300 mV below the DAC-DROOP voltage the UVLO comparator will trip sending the VR_RDY signal low.

OVER VOLTAGE PROTECTION

The output voltage is also monitored at the output of the differential amplifier for OVP. During normal operation, if the output voltage exceeds the DAC voltage by 400 mV, the VR_RDY flag goes low, and the DAC will be ramped down slowly. At the same time, the high side gate driver is turned off and the low side gate driver is turned on until the voltage falls to 100 mV. The part will stay in this mode until the V_{CC} voltage or EN is toggled. During start up, the OVP threshold is set to 2.9 V. This allows the controller to start up without false triggering the OVP.

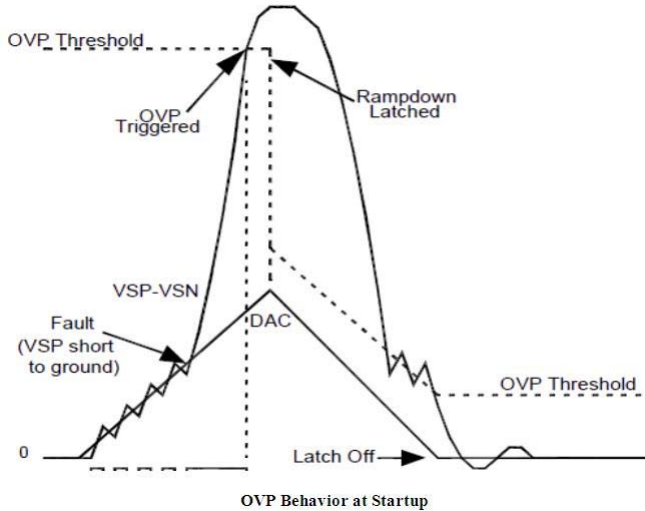


Figure 15. OVP Behavior at Startup

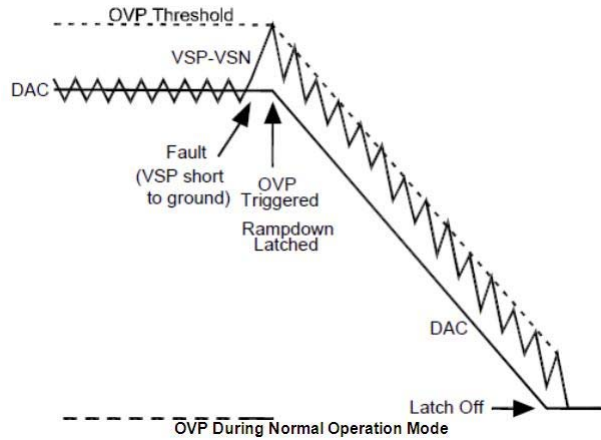


Figure 16. OVP During Normal Operation Mode

During start up, the OVP threshold is set to 2.2 V. This allows the controller to start up without false triggering the OVP.

MECHANICAL CASE OUTLINE

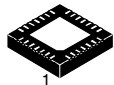
PACKAGE DIMENSIONS

ON Semiconductor®

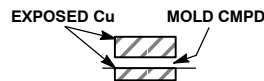
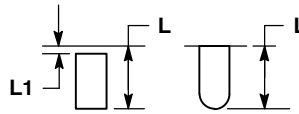
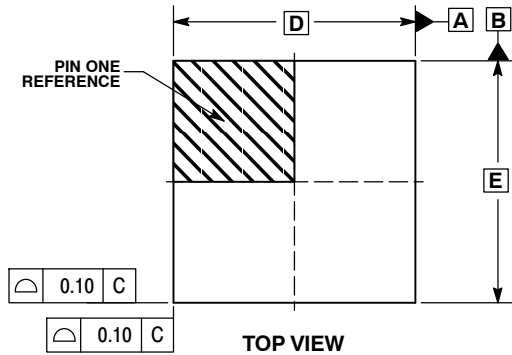


QFN28 4x4, 0.4P
CASE 485AR-01
ISSUE A

DATE 20 NOV 2009



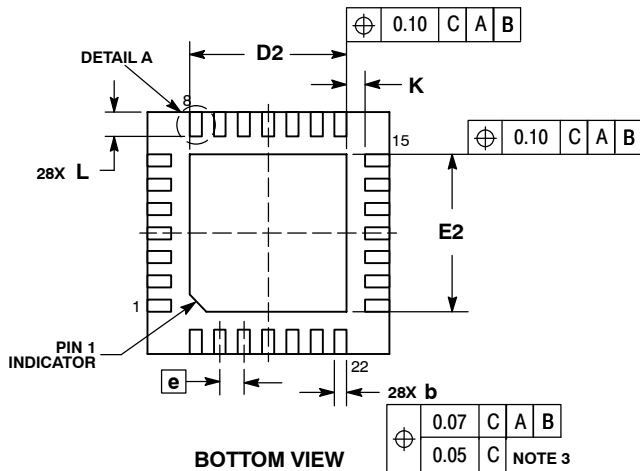
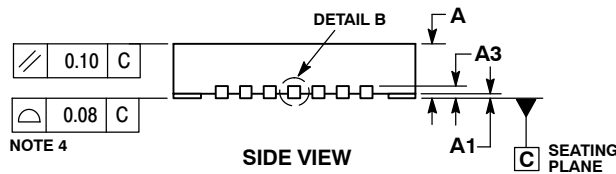
SCALE 2:1



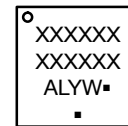
NOTES:

1. DIMENSIONING AND TOLERANCING PER ASME Y14.5M, 1994.
2. CONTROLLING DIMENSION: MILLIMETERS.
3. DIMENSION *b* APPLIES TO PLATED TERMINAL AND IS MEASURED BETWEEN 0.15 AND 0.30 MM FROM THE TERMINAL TIP.
4. COPLANARITY APPLIES TO THE EXPOSED PAD AS WELL AS THE TERMINALS.

MILLIMETERS		
DIM	MIN	MAX
A	0.80	1.00
A1	0.00	0.05
A3	0.20 REF	
<i>b</i>	0.15	0.25
D	4.00 BSC	
D2	2.50	2.70
E	4.00 BSC	
E2	2.50	2.70
<i>e</i>	0.40 BSC	
K	0.30 REF	
L	0.30	0.50
L1	---	0.15



GENERIC MARKING DIAGRAM*

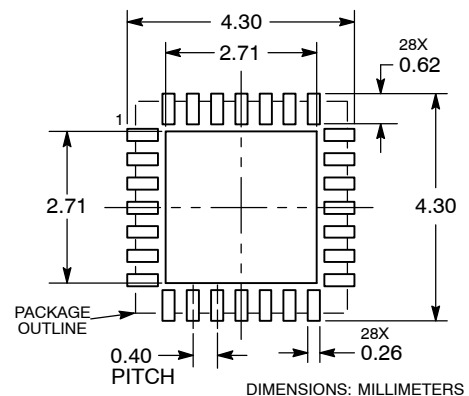


- XXXXX = Specific Device Code
- A = Assembly Location
- L = Wafer Lot
- Y = Year
- W = Work Week
- = Pb-Free Package

(Note: Microdot may be in either location)

*This information is generic. Please refer to device data sheet for actual part marking. Pb-Free indicator, "G", may or not be present.

RECOMMENDED MOUNTING FOOTPRINT



DOCUMENT NUMBER:	98AON30349E	Electronic versions are uncontrolled except when accessed directly from the Document Repository. Printed versions are uncontrolled except when stamped "CONTROLLED COPY" in red.
STATUS:	ON SEMICONDUCTOR STANDARD	
NEW STANDARD:		
DESCRIPTION:	QFN28 4X4, 0.4P	PAGE 1 OF 2

onsemi, **Onsemi**, and other names, marks, and brands are registered and/or common law trademarks of Semiconductor Components Industries, LLC dba "**onsemi**" or its affiliates and/or subsidiaries in the United States and/or other countries. **onsemi** owns the rights to a number of patents, trademarks, copyrights, trade secrets, and other intellectual property. A listing of **onsemi**'s product/patent coverage may be accessed at www.onsemi.com/site/pdf/Patent-Marking.pdf. **onsemi** reserves the right to make changes at any time to any products or information herein, without notice. The information herein is provided "as-is" and **onsemi** makes no warranty, representation or guarantee regarding the accuracy of the information, product features, availability, functionality, or suitability of its products for any particular purpose, nor does **onsemi** assume any liability arising out of the application or use of any product or circuit, and specifically disclaims any and all liability, including without limitation special, consequential or incidental damages. Buyer is responsible for its products and applications using **onsemi** products, including compliance with all laws, regulations and safety requirements or standards, regardless of any support or applications information provided by **onsemi**. "Typical" parameters which may be provided in **onsemi** data sheets and/or specifications can and do vary in different applications and actual performance may vary over time. All operating parameters, including "Typicals" must be validated for each customer application by customer's technical experts. **onsemi** does not convey any license under any of its intellectual property rights nor the rights of others. **onsemi** products are not designed, intended, or authorized for use as a critical component in life support systems or any FDA Class 3 medical devices or medical devices with a same or similar classification in a foreign jurisdiction or any devices intended for implantation in the human body. Should Buyer purchase or use **onsemi** products for any such unintended or unauthorized application, Buyer shall indemnify and hold **onsemi** and its officers, employees, subsidiaries, affiliates, and distributors harmless against all claims, costs, damages, and expenses, and reasonable attorney fees arising out of, directly or indirectly, any claim of personal injury or death associated with such unintended or unauthorized use, even if such claim alleges that **onsemi** was negligent regarding the design or manufacture of the part. **onsemi** is an Equal Opportunity/Affirmative Action Employer. This literature is subject to all applicable copyright laws and is not for resale in any manner.

PUBLICATION ORDERING INFORMATION

LITERATURE FULFILLMENT:

Email Requests to: orderlit@onsemi.com

onsemi Website: www.onsemi.com

TECHNICAL SUPPORT

North American Technical Support:

Voice Mail: 1 800-282-9855 Toll Free USA/Canada

Phone: 011 421 33 790 2910

Europe, Middle East and Africa Technical Support:

Phone: 00421 33 790 2910

For additional information, please contact your local Sales Representative