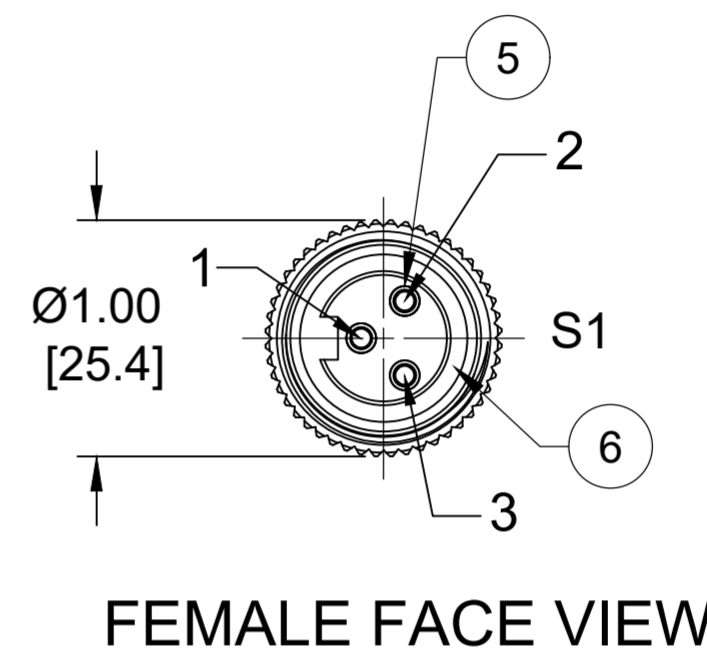
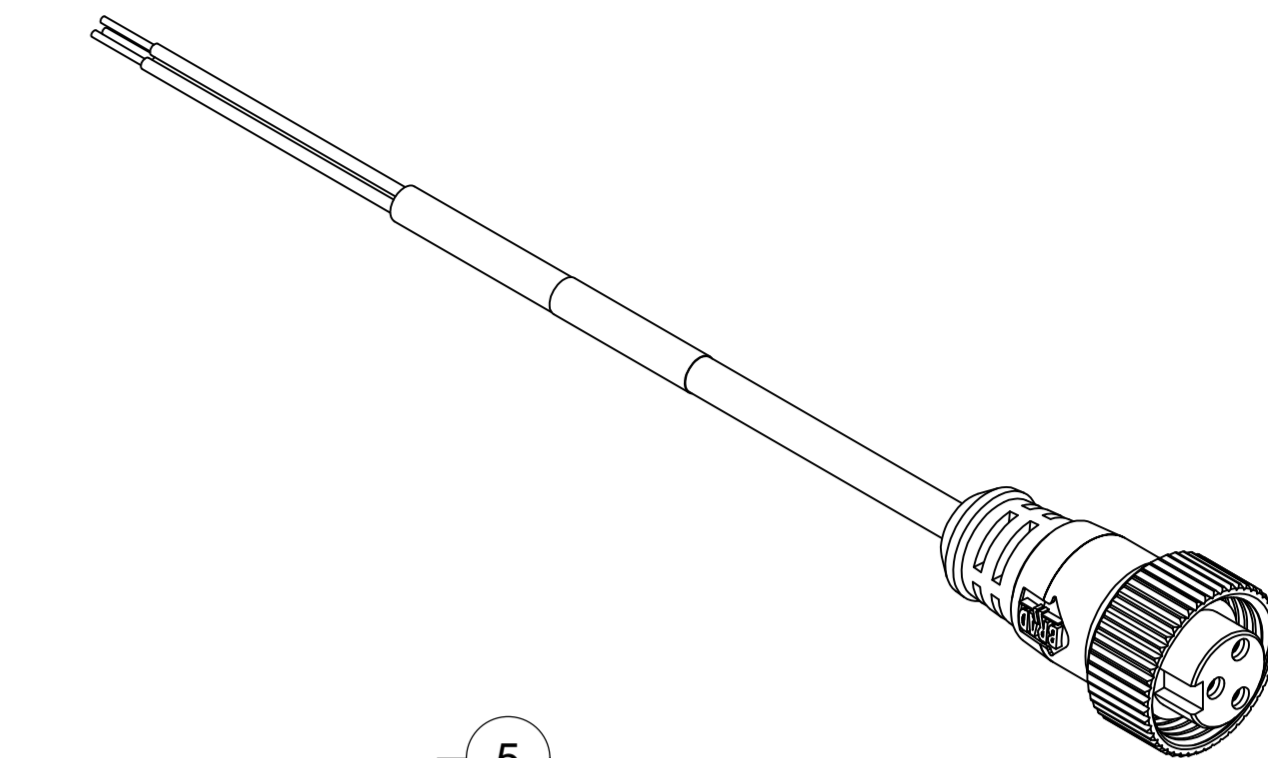
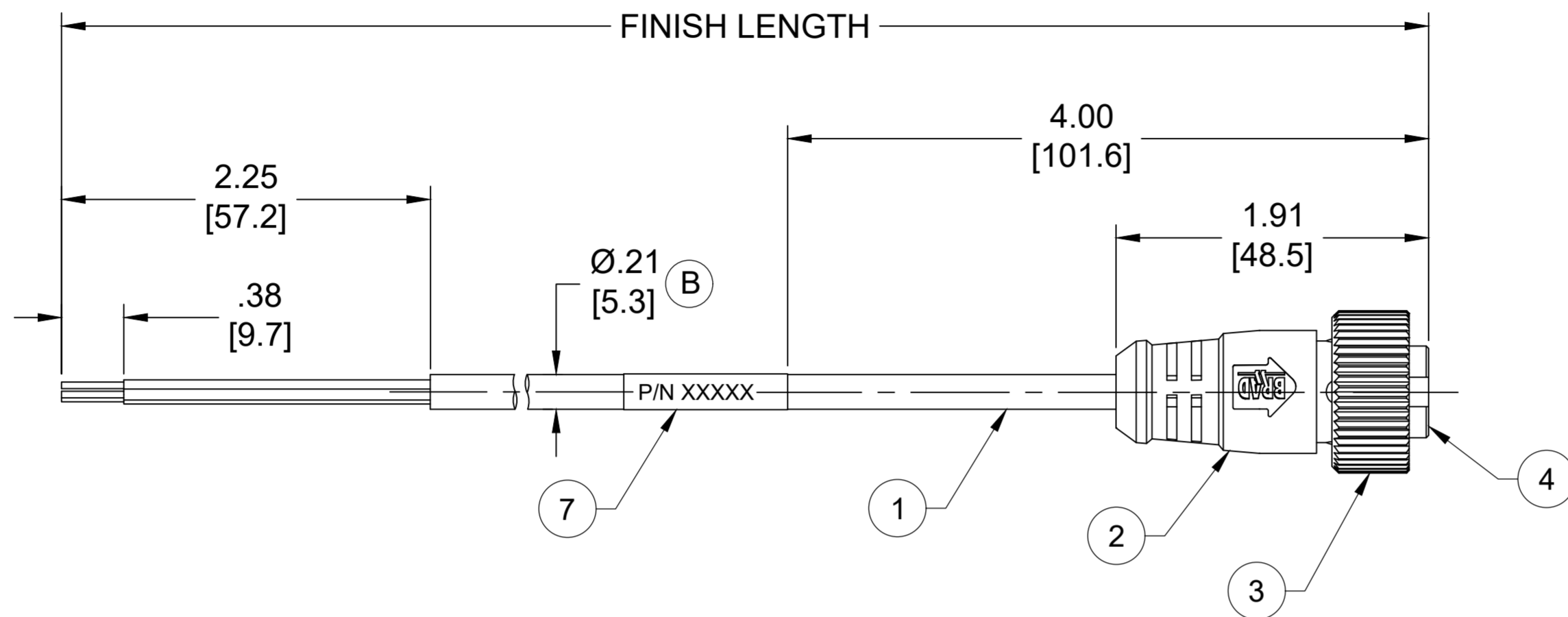


| PART NO. | ENGINEERING NO. | FINISHED LENGTH |
|------------|-----------------|-----------------|
| 1300060339 | 103000A06M020 | 2M [6FT 7 IN] |
| 1300060356 | 103000A06M150 | 15M [49FT 3 IN] |
| 1300060359 | 103000A06M300 | 30M [98M 5 IN] |



NOTES:

- MATERIAL: AS NOTED
- FINISH: AS NOTED
- ELECTRICAL:
VOLTAGE : 300V
CURRENT: 10A (B)
- TEMP RATING: -20° TO +105°C
- PROTECTION: IP67 (WHEN MATED)
- COUPLING THREAD: 7/8"-16UN
- CSA CERTIFIED FILE: LR6837
- ALL DIMENSIONS ARE FOR REFERENCE UNLESS TOLERANCED OR NOTED OTHERWISE

| S1 | |
|------------------|---|
| GREEN/YELLOW-GRD | 1 |
| BROWN | 2 |
| BLUE | 3 |

WIRING DIAGRAM

PART NUMBER LEGEND

103000A06M020

CABLE LENGTH
M050 = 5 METER
M100 = 10 METER
M500 = 50 METER

| (B) CABLE LENGTH TOLERANCES | |
|-----------------------------|-------------------------|
| <.3M [1FT]: | +19mm-0 [+.75in-0] |
| .3 - .9M [1 - 3FT]: | +44.5mm-0 [+1.75in-0] |
| .9 - 1.8M [3 - 6FT]: | +55.6mm-0 [+2.19in-0] |
| 1.8 - 3.7M [6 - 12FT]: | +88.9mm-0 [+3.50in-0] |
| 3.7 - 7.3M [12 - 24FT]: | +165.1mm-0 [+6.50in-0] |
| 7.3-14.6M [24 - 48FT]: | +317.5mm-0 [+12.50in-0] |
| 14.6 - 30.5M [48-100FT]: | +622.3mm-0 [+24.50in-0] |
| OVER 30M [100FT]: | +2% OF FINISHED LENGTH |

| ITEM | COMPONENT | MATERIAL | FINISH |
|------|----------------|---------------|----------------------|
| 7 | WRAP LABEL | VINYL | BLACK/YELLOW (B) |
| 6 | FRICTION RING | NYLON | WHITE (B) |
| 5 | CONTACT SOCKET | COPPER ALLOY | GOLD OVER NICKEL (B) |
| 4 | INSERT | TPE | YELLOW (B) |
| 3 | COUPLING NUT | ZINC DIE CAST | BLACK E-COAT (B) |
| 2 | OVERMOLD | TPE | YELLOW (B) |
| 1 | CABLE, 18 AWG | PVC | YELLOW (B) |

| | | | | |
|--|---|------------------------------|--|--|
| FUNCTIONAL SYMBOLS FA=0 FC=0 FP=0 | THIS DRAWING CONTAINS INFORMATION THAT IS PROPRIETARY TO MOLEX ELECTRONIC TECHNOLOGIES, LLC AND SHOULD NOT BE USED WITHOUT WRITTEN PERMISSION | | CURRENT REV DESC: ITEM# 2 & 4 WERE PVC. ITEM #7 WAS PLASTIC FILM. ADDED UL, FRICTION RING, PN LEGEND, CABLE DIA & TOL CHART. MODIFIED CURRENT & PN CHART | |
| | DIMENSION UNITS INCH/MM | SCALE NTS | EC NO: 702709 | |
| GENERAL TOLERANCES (UNLESS SPECIFIED) | | DRWN: ABENJAMINLW 2021/05/13 | | |
| 4 PLACES ±---- | | CHK'D: RSTONE 2022/04/11 | | |
| 3 PLACES ±---- | | APPR: BWOODMAN 2022/04/16 | | |
| 2 PLACES ±---- | | INITIAL REVISION: | | |
| 1 PLACE ±---- | | DRWN: TWOLDEGE 2009/07/10 | | |
| 0 PLACES ±---- | | APPR: JFMURPHY 2009/08/10 | | |
| ANGULAR TOL ± ---- ° | | THIRD ANGLE PROJECTION | DRAWING | |
| DRAFT WHERE APPLICABLE MUST REMAIN WITHIN DIMENSIONS | | C-SIZE | SERIES | |
| | | 130006 | MATERIAL NUMBER | |
| | | SEE CHART | CUSTOMER | |
| | | GENERAL MARKET | SHEET NUMBER | |
| | | | 1 OF 1 | |

molex

MINI-CHANGE CORDSET, A-SIZE
3-POLE, FEMALE, STRAIGHT, SINGLE KEY,
#18 AWG

PRODUCT CUSTOMER DRAWING

DOCUMENT NUMBER: **SD-130006-009** DOC TYPE/DOC PART/REVISION: **PSD 001 B**