

CRYSTAL UNIT

HC-49US DIP



Applications

- Industrial Control Consumers.

Features

- Dimensions: 11.5 x 4.50 x 3.68 mm.
- Frequency range: 3.2768~64MHz
- Through hole type crystal units.
- A great number of standard frequencies.

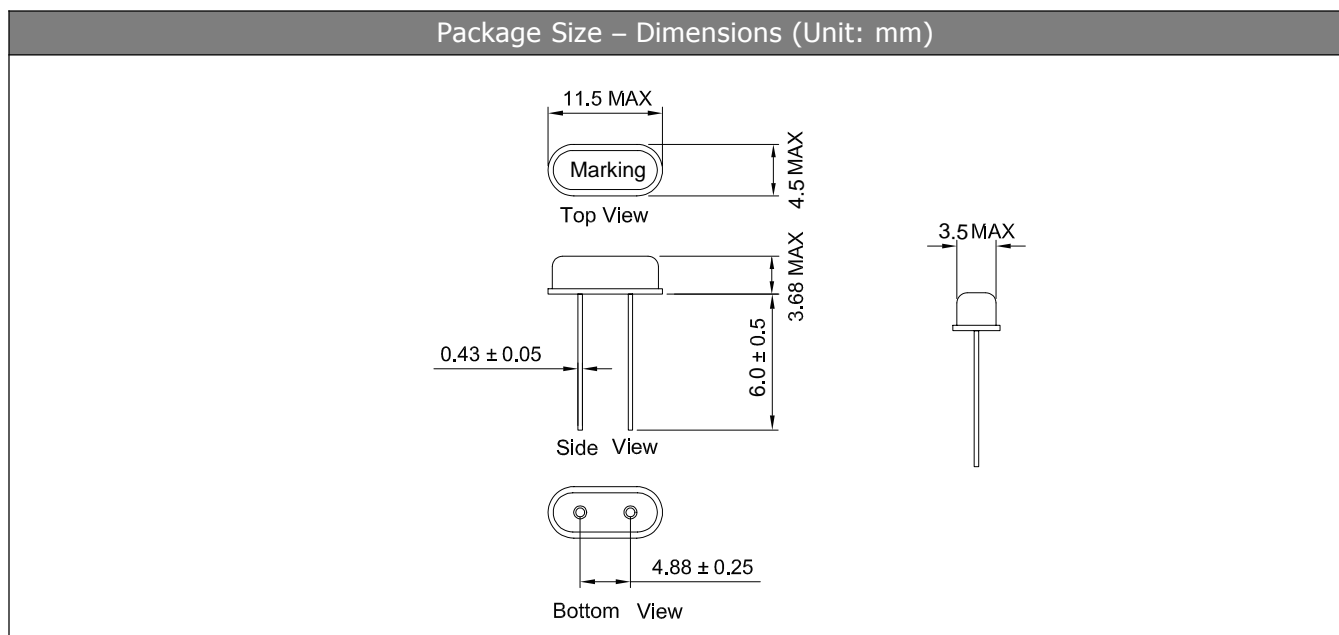
Specifications

Standard Frequency	3.2768~64 MHz
Vibration Mode	AT Fundamental
Load Capacitance	12pF, 20pF, or specify
Frequency Tolerance (at 25 °C)	±10ppm, ±20ppm, or specify
Frequency Versus Temperature Characteristics	±20ppm, or specify
Operating Temperature	-20~+70 °C, -40~+85 °C, or specify
Storage Temperature	-40~+85 °C or specify
Shunt Capacitance	7 pF Max.
Level of Drive	1~500µW Max. (100µW typical)
Aging (at 25 °C)	±3ppm/year Max.

Equivalent Series Resistance(ESR)

Fundamental			
3.2768 ~ 4MHz	180 Ω Max.	6 ~ 7 MHz	80 Ω Max.
4 ~ 5MHz	120 Ω Max.	7 ~ 10 MHz	60 Ω Max.
5 ~ 6 MHz	100 Ω Max.	10 ~ 27MHz	40 Ω Max.
3rd Overtone			
20 ~ 25 MHz	100 Ω Max.	25 ~ 64 MHz	80 Ω Max.

Dimensions and Patterns [unit:mm]



CRYSTAL UNIT

HC-49US DIP



Solder ability

Dip terminals in RMA flux for 5 ± 0.5 seconds. Under room temperature. Dip terminals in a $260 \pm 5^\circ\text{C}$ solder bath for 5 ± 0.5 seconds. The solder shall leave an undipped terminal length of 2 mm at their base .

Resistance to Soldering Heat

Dip terminals in a $260 \pm 5^\circ\text{C}$ solder bath for 10 ± 0.5 seconds. The solder shall leave an undipped terminal length of 2 mm at their base.

Packing

Deposit 200 pieces of the quartz crystal units in a polyethylene bag, and pack enough bags in a packing case to make a 10,000 pieces package. The packing format may be subject to change by quantity.