

**PLEASE CHECK WWW.MOLEX.COM FOR LATEST PART INFORMATION**

**Part Number:** [0511171605](#)  
**Status:** **Active**  
**Description:** 4.00mm Wire-to-Wire Terminal Position Assurance (TPA) Retainer, 16 Circuits

**Documents:**

<a href="#">3D Model</a>	<a href="#">Product Specification PS-68503-001-001 (PDF)</a>
<a href="#">Drawing (PDF)</a>	<a href="#">Application Specification AS-51115-001-007 (PDF)</a>
<a href="#">3D Model (PDF)</a>	<a href="#">RoHS Certificate of Compliance (PDF)</a>
<a href="#">Product Specification PS-51115-001-001 (PDF)</a>	

**General**

Product Family	Accessories
Series	<a href="#">51117</a>
Component Type	Terminal Position Assurance
Product Name	N/A
UPC	800754367738

**Physical**

Circuits (Loaded)	16
Circuits (maximum)	16
Color - Resin	Gray
Material - Resin	Polyester
Net Weight	933.000/mg
Packaging Type	Bag

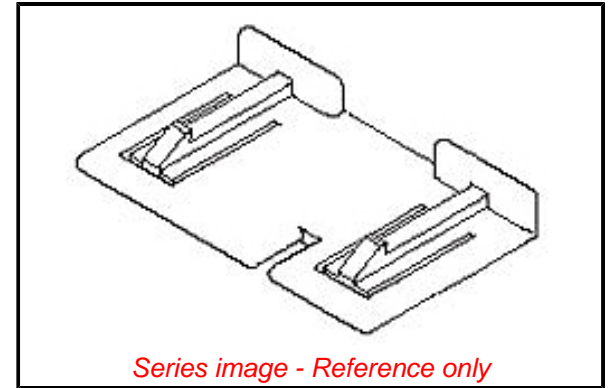
**Solder Process Data**

Lead-freeProcess Capability	N/A
-----------------------------	-----

**Material Info**

**Reference - Drawing Numbers**

Application Specification	<a href="#">AS-51115-001-007</a>
Product Specification	<a href="#">PS-51115-001-001</a> , <a href="#">PS-68503-001-001</a>
Sales Drawing	<a href="#">SD-51117-XX0X-001</a>



**EU ELV**

**Compliant**

**EU RoHS**

**Compliant**

**REACH SVHC**

Not Contained Per -  
D(2021)4569-DC (8  
July 2021)

**Halogen-Free**

**Status**

**Not Low-Halogen**

For more information, please visit [Contact US](#)

China ROHS

ELV

RoHS Phthalates

**China RoHS**

Green Image

Compliant

Not Contained

**Search Parts in this Series**

[51117 Series](#)

# Mouser Electronics

Authorized Distributor

Click to View Pricing, Inventory, Delivery & Lifecycle Information:

[Molex:](#)

[51117-1605](#)