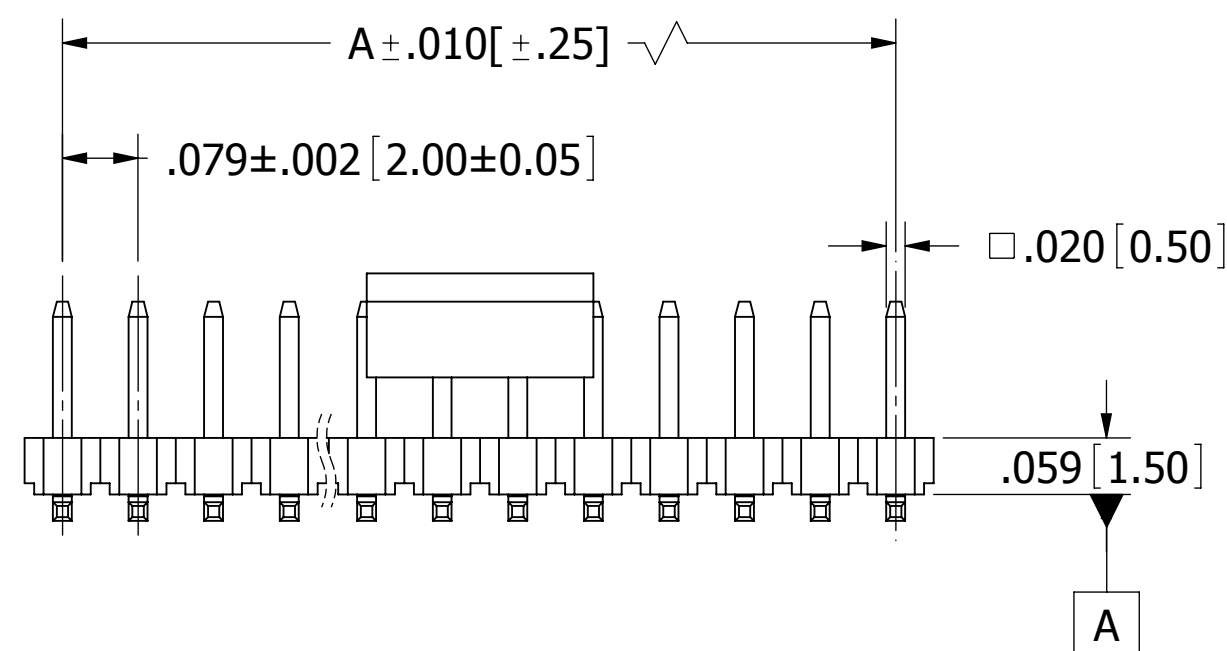
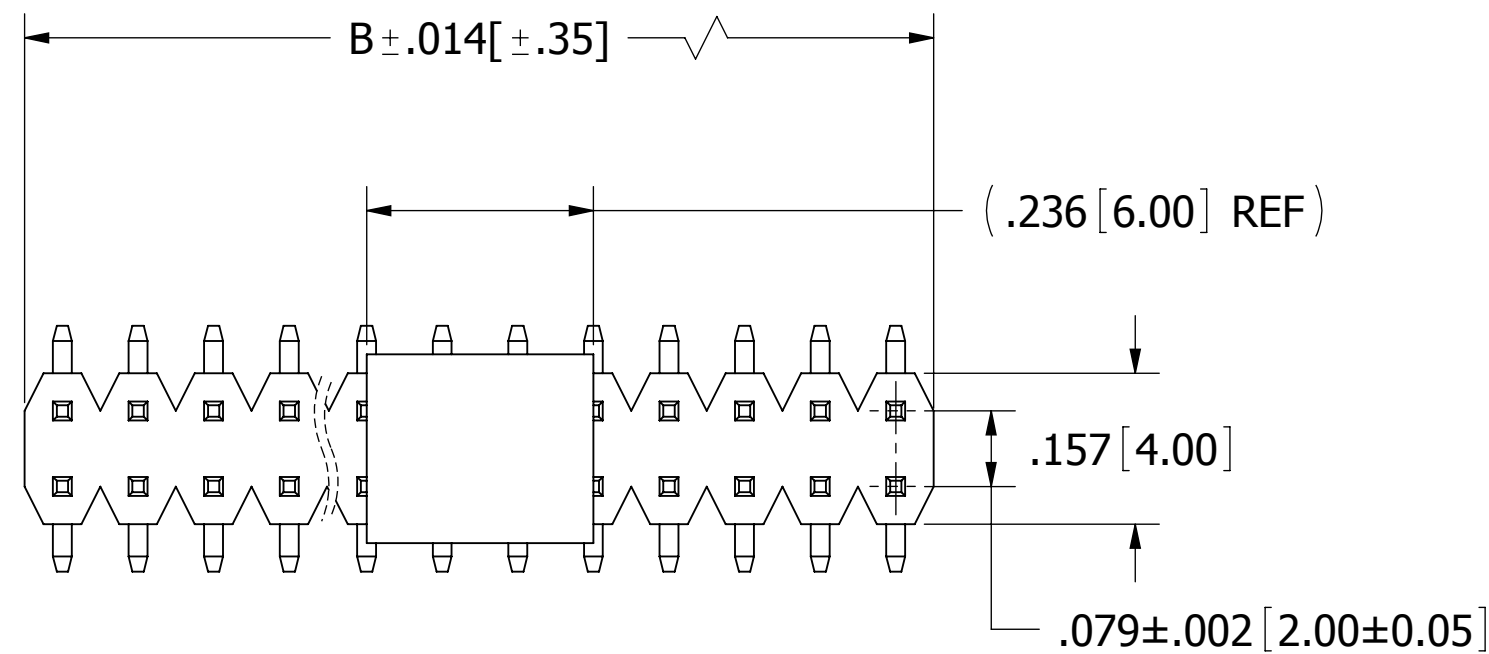


POSITIONS/ CONTACTS	A		B	
	INCH	MM	INCH	MM
02/04	0.079	2.00	0.157	4.00
03/06	0.157	4.00	0.236	6.00
04/08	0.236	6.00	0.315	8.00
05/10	0.315	8.00	0.394	10.00
06/12	0.394	10.00	0.472	12.00
07/14	0.472	12.00	0.551	14.00
08/16	0.551	14.00	0.630	16.00
09/18	0.630	16.00	0.709	18.00
10/20	0.709	18.00	0.787	20.00
11/22	0.787	20.00	0.866	22.00
12/24	0.866	22.00	0.945	24.00
13/26	0.945	24.00	1.024	26.00
14/28	1.024	26.00	1.102	28.00
15/30	1.102	28.00	1.181	30.00
16/32	1.181	30.00	1.260	32.00
17/34	1.260	32.00	1.339	34.00
18/36	1.339	34.00	1.417	36.00
19/38	1.417	36.00	1.496	38.00
20/40	1.496	38.00	1.575	40.00
21/42	1.575	40.00	1.654	42.00
22/44	1.654	42.00	1.732	44.00
23/46	1.732	44.00	1.811	46.00
24/48	1.811	46.00	1.890	48.00
25/50	1.890	48.00	1.969	50.00
26/52	1.969	50.00	2.047	52.00
27/54	2.047	52.00	2.126	54.00
28/56	2.126	54.00	2.205	56.00
29/58	2.205	56.00	2.283	58.00
30/60	2.283	58.00	2.362	60.00
31/62	2.362	60.00	2.441	62.00
32/64	2.441	62.00	2.520	64.00
33/66	2.520	64.00	2.598	66.00
34/68	2.598	66.00	2.677	68.00
35/70	2.677	68.00	2.756	70.00
36/72	2.756	70.00	2.835	72.00
37/74	2.835	72.00	2.913	74.00
38/76	2.913	74.00	2.992	76.00
39/78	2.992	76.00	3.071	78.00
40/80	3.071	78.00	3.150	80.00

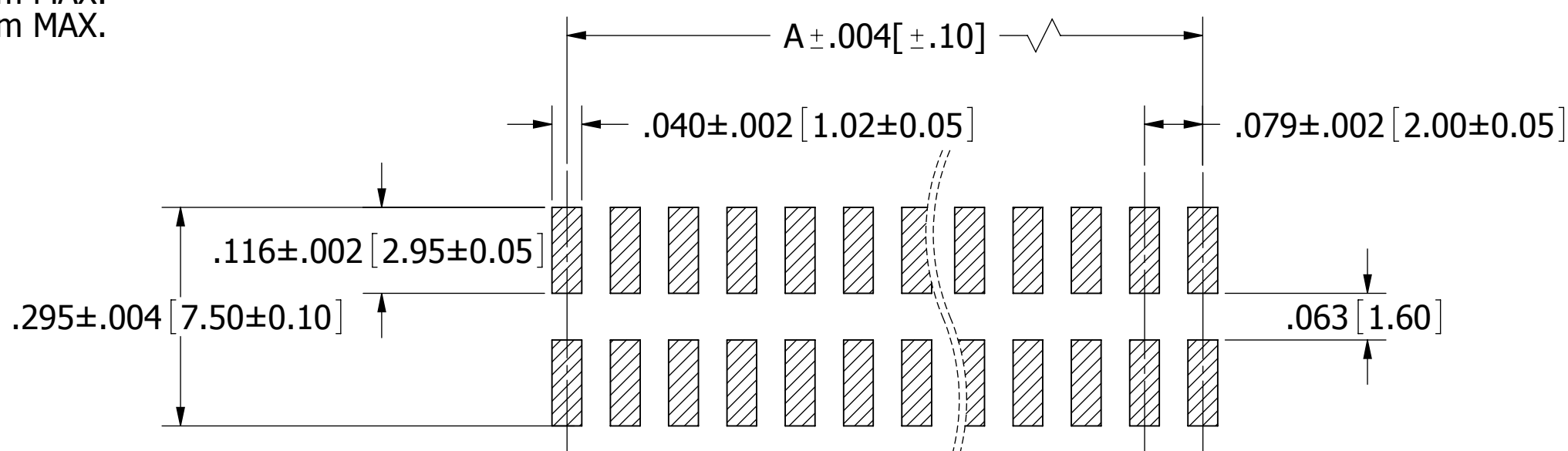
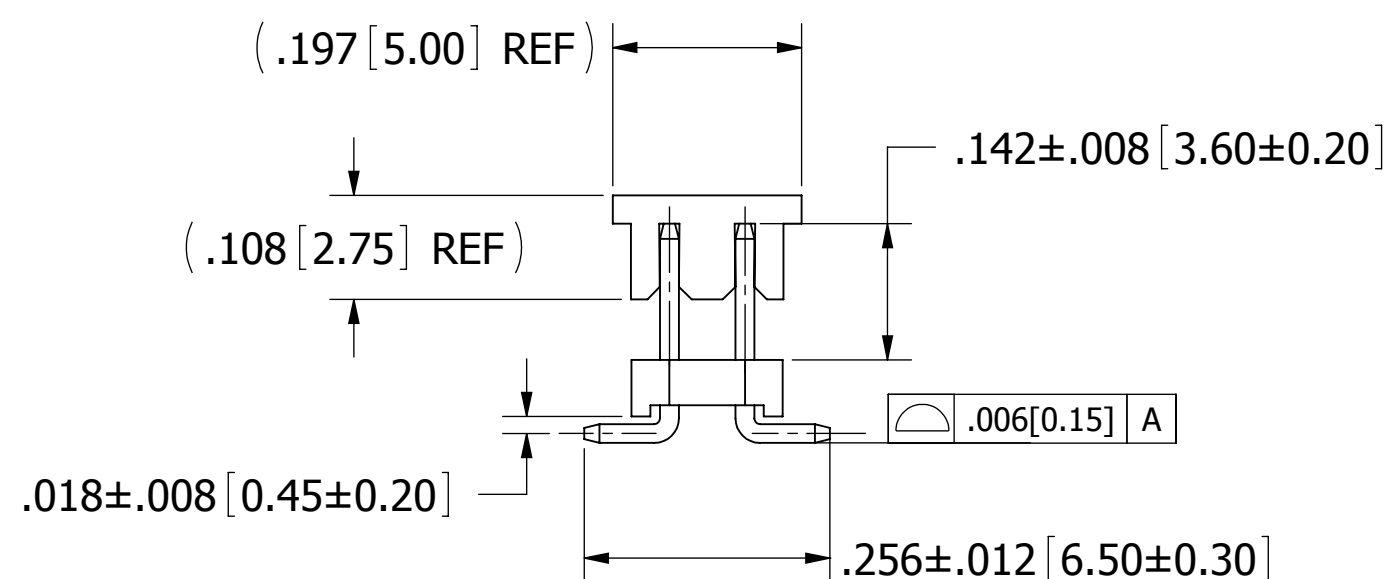
**PART NUMBER CODING**  
**NRPNxx2MAMS-M81RC**

**NUMBER OF POSITIONS**

(CONTACTS PER ROW, 02 THRU 40)



02-20, 0.20mm MAX.  
21-30, 0.30mm MAX.  
31-40, 0.40mm MAX.

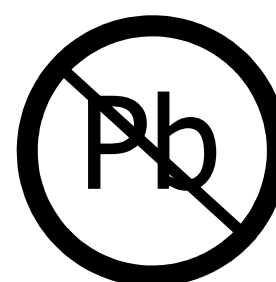


**RECOMMENDED PCB LAYOUT**

**NOTES:**

- INSULATOR MATERIAL: NYLON 6T, UL 94V-0, BLACK.
- CONTACT MATERIAL: BRASS.
- CONTACT PLATING: GOLD FLASH OVERALL.
- VOLTAGE RATING: 150V AC/DC.
- CURRENT RATING: 1 AMP PER CONTACT.
- INSULATOR RESISTANCE: 5000 MEGA OHMS MIN.
- CONTACT RESISTANCE: 20 MILLIOHMS MAX.
- DIELECTRIC WITHSTANDING: 500V AC.
- OPERATING TEMPERATURE: -40° C TO +105° C.
- \*PROCESSING TEMP.: 260° C FOR 10 SECS MAX.
- MODIFICATION: WITH PLASTIC PICK & PLACE CAP IN TAPE AND REEL.

\*INDICATED TEMPERATURE AND TIME IS FOR COMPONENT INSULATOR. HIGHER PROCESSING TEMPERATURES MAY BE USED, PROVIDED HEAT IS APPLIED FROM BACK SIDE OF PCB, AND INSULATOR DOES NOT EXCEED INDICATED TEMPERATURE AND TIME.



**RoHS COMPLIANT**

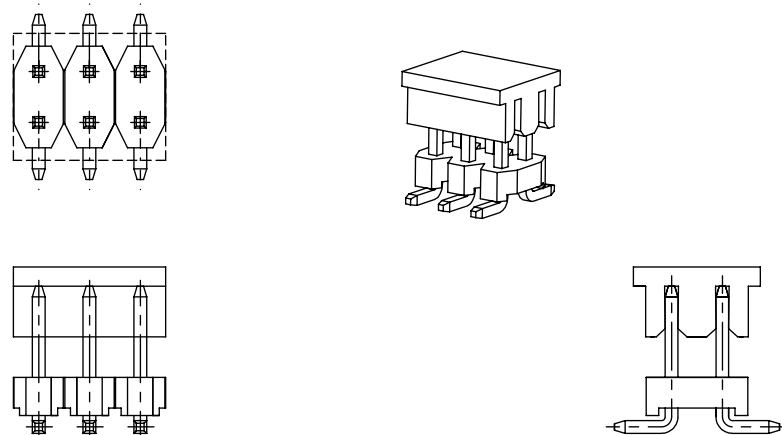
UNLESS OTHERWISE SPECIFIED:  
DIMENSIONS ARE IN INCHES[MM]  
TOLERANCES:  
ANGULAR: ± 5°  
.X = ± .012 [.30]  
.XX = ± .008 [.20]  
.XXX = ± .006 [.15]

INTERPRET DIMENSIONS AND GEOMETRIC TOLERANCING PER: ASME Y14.5M-2009

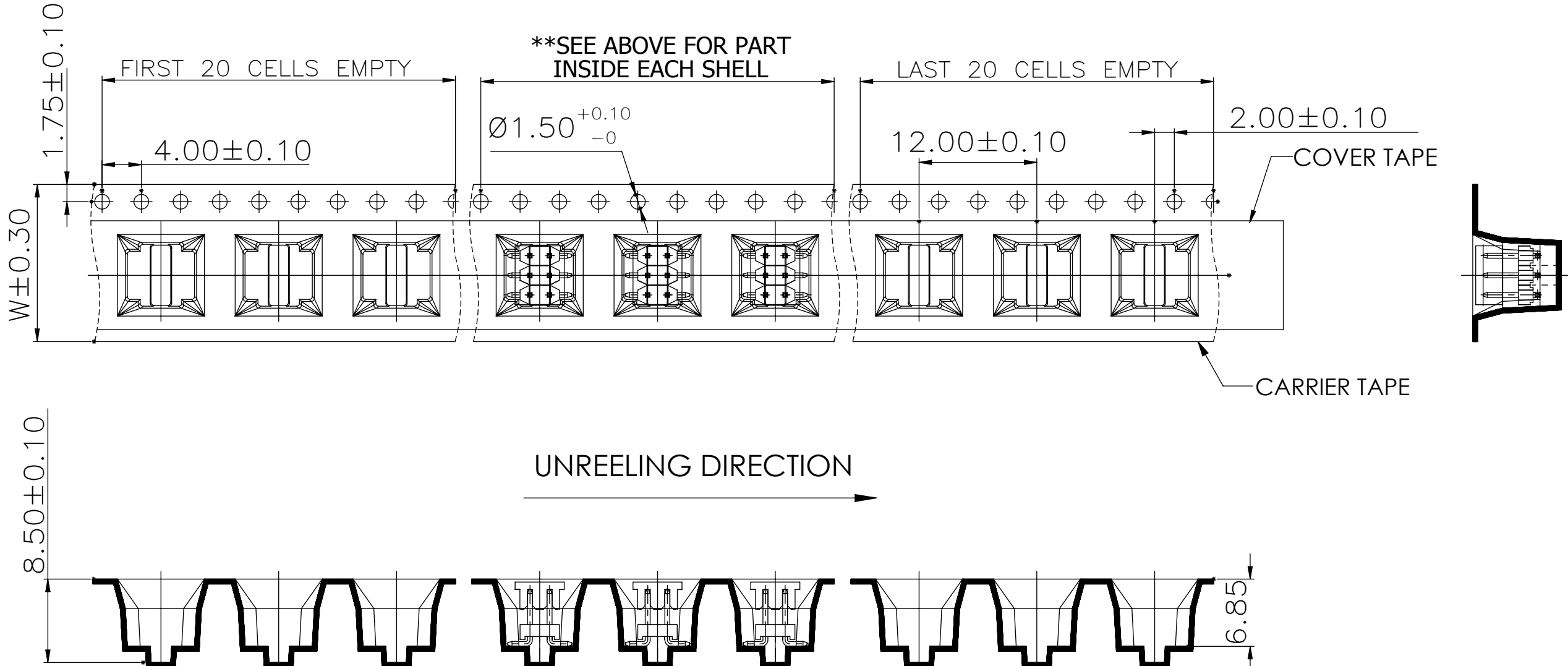
REVISIONS		DATE	NAME
REV.	ECO. NO		
A	2208	12/06/2010	LH

DRAWN		LH	
THE INFORMATION HEREIN CONTAINS PROPRIETARY INFORMATION OF SULLINS ELECTRONICS AND IS NOT TO BE REPRODUCED, USED OR DISCLOSED TO OTHERS FOR ANY PURPOSE EXCEPT AS SPECIFICALLY AUTHORIZED IN WRITING BY AN OFFICER OF SULLINS ELECTRONICS.			
DESCRIPTION		HEADER, MALE 2.0mm CC, 2 ROWS SMT, T&R	
PART NUMBER		NRPNxx2MAMS-M81RC	
SIZE	DWG. NO.	REV	
C	11561	A	
SCALE: 5:1		SHEET 1 OF 2	



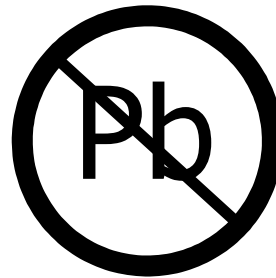
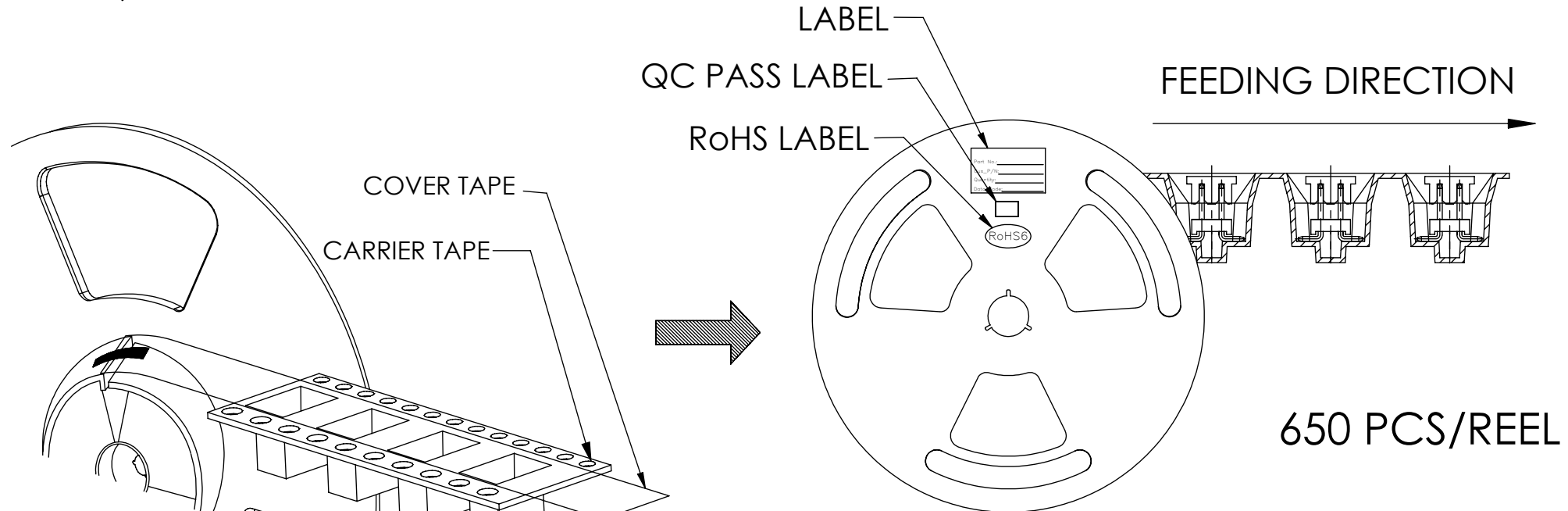
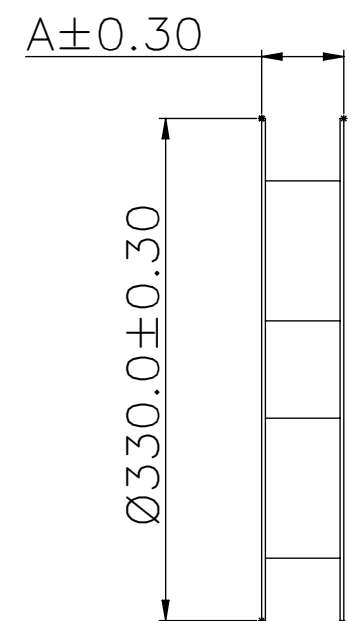
**\*\*T&R FOR P/N:NRPNxx2MAMS-M81RC  
(03-POSITION AS SHOWN)  
(SEE T&R DIM TABLE AND NOTE 1)**



**DIMENSION UNIT: mm**

T & R DIMENSION TABLE		
POSITIONS/ CONTACTS	<b>W</b>	<b>A</b>
02/04 - 03/06	16	21
04/08 - 06/12	24	29
07/14 - 09/18	32	37
10/20 - 15/30	44	49
16/32 - 21/42	56	61
22/44 - 28/56	72	77
29-58 - 40/80	88	93

**NOTE 1: WHEN THE CARRIER TAPE WIDTH IS EQUAL OR SMALLER THAN 24mm,  
Ø1.5mm CARRIER HOLES ARE LOCATED ON SINGLE SIDE OF CARRIER TAPE.**



**RoHS COMPLIANT**

UNLESS OTHERWISE SPECIFIED:  
DIMENSIONS ARE IN MM  
TOLERANCES:  
ANGULAR: ± 5°  
X=± .30  
.X=± .20  
.XX=± .15

INTERPRET DIMENSIONS AND GEOMETRIC TOLERANCING PER: ASME Y14.5M-2009

DRAWN		DATE	NAME	
LH				
<small>THE INFORMATION HEREIN CONTAINS PROPRIETARY INFORMATION OF SULLINS ELECTRONICS AND IS NOT TO BE REPRODUCED, USED OR DISCLOSED TO OTHERS FOR ANY PURPOSE EXCEPT AS SPECIFICALLY AUTHORIZED IN WRITING BY AN OFFICER OF SULLINS ELECTRONICS.</small>				DESCRIPTION <b>HEADER, MALE 2.0mm CC, 2 ROWS SMT, T&amp;R</b>
PART NUMBER <b>NRPNxx2MAMS-M81RC</b>				SCALE: 2:1
SIZE	DWG. NO.	REV		
<b>C</b>	<b>11561</b>	<b>A</b>	SHEET 2 OF 2	