



FEATURES

- ※ Compact-sized 2.9x3.9mm
- ※ Vertical or side actuation
- ※ Reflow solderable

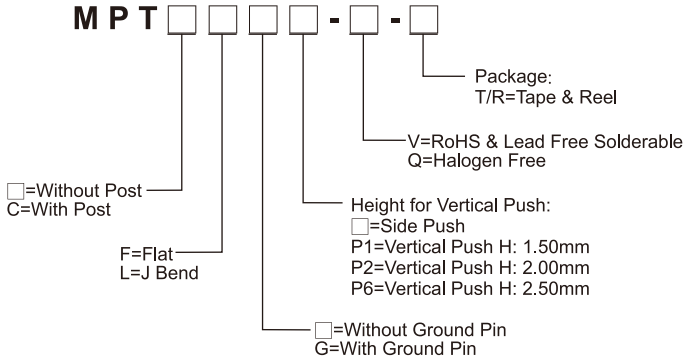
APPLICATION

- ※ Automotive
- ※ Portable electronic device
- ※ Control panel

SPECIFICATION

Contact Rating	50mA, 12V DC
Contact Resistance	100mΩ max.
Insulation Resistance	100MΩ min. 100V DC
Dielectric Strength	100V AC/1 minute
Operating Force	160±50gf (Vertical Push) 220±65gf (Side Push)
Travel	0.13mm (Vertical Push) 0.20mm (Side Push)
Operating Life	100,000 cycles
Operating Temp.	-20°C ~ +70°C
Storage Temp.	-30°C ~ +80°C

HOW TO ORDER



CIRCUIT



PACKAGE

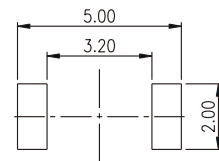
<Tape & Reel>
Side push: 3500 pcs
Vertical push: 2000 pcs

TACT SWITCH

MPTFP □

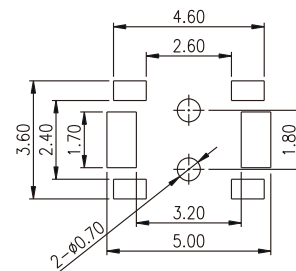
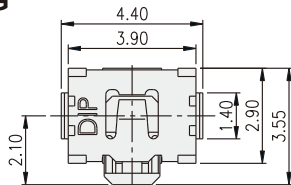


PART NO.	H
MPTFP1	1.50
MPTFP2	2.00
MPTFP6	2.50



P.C.B. LAYOUT

MPTCLG



P.C.B. LAYOUT

Mouser Electronics

Authorized Distributor

Click to View Pricing, Inventory, Delivery & Lifecycle Information:

Diptronics:

[MPTCL-Q-T/R](#) [MPTCLP1-Q-T/R](#) [MPTFGP6-Q-T/R](#) [MPTCFP6-Q-T/R](#) [MPTLGP6-Q-T/R](#) [MPTCFGP2-Q-T/R](#)
[MPTCFGP1-Q-T/R](#) [MPTLGP2-Q-T/R](#) [MPTCLGP1-Q-T/R](#) [MPTFGP2-Q-T/R](#) [MPTLP6-Q-T/R](#) [MPTCLP6-Q-T/R](#)
[MPTCLG-Q-T/R](#) [MPTCFP2-Q-T/R](#) [MPTCFGP6-Q-T/R](#) [MPTLGP1-Q-T/R](#) [MPTFP1-Q-T/R](#) [MPTCLGP2-Q-T/R](#)
[MPTCF-Q-T/R](#) [MPTFP2-Q-T/R](#) [MPTFGP1-Q-T/R](#) [MPTLP2-Q-T/R](#) [MPTFP6-Q-T/R](#) [MPTLP1-Q-T/R](#) [MPTCLGP6-Q-](#)
[T/R](#) [MPTCLP2-Q-T/R](#) [MPTCFP1-Q-T/R](#) [MPTF-Q-T/R](#) [MPTCFG-Q-T/R](#) [MPTCFGP2-V-T/R](#) [MPTCF-V-T/R](#) [MPTFG-](#)
[V-T/R](#) [MPTFP2-V-T/R](#) [MPTLP2-V-T/R](#)