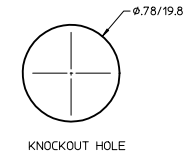
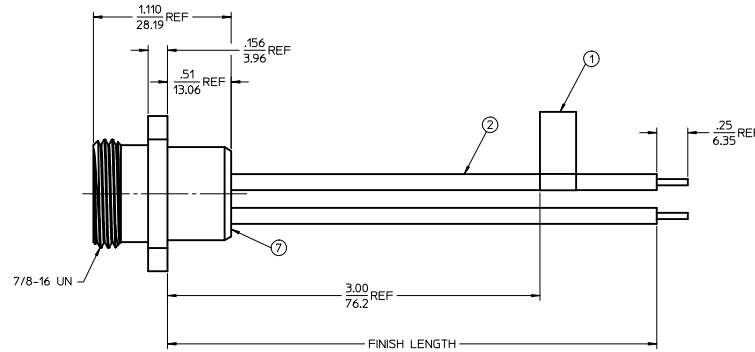
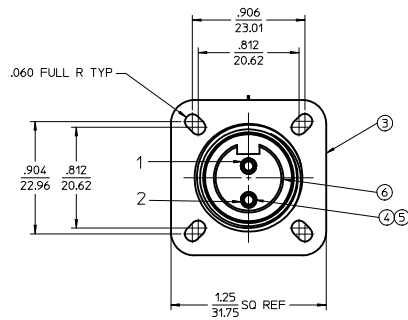
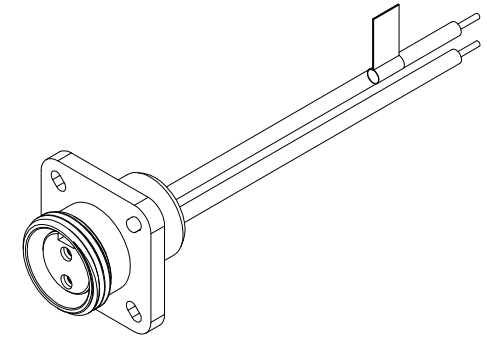


MATERIAL NUMBER	OLD PART NUMBER	FINISH LENGTH
130013-0093	1R2G04A20A120	1.0'+.75"-0 [1.3M+19.1-0]

VOLTAGE RATING	600 VAC/VDC
AMPERAGE RATING	13A
PROJECTION	IP67
OPERATING TEMPERATURE	-20° C TO 105° C
UL CERTIFICATIONS	UL RECOGNIZED, FILE NO. E152210
CSA CERTIFICATIONS	CSA CERTIFIED, FILE NO. LR6837



WIRING DIAGRAM

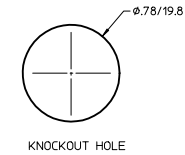
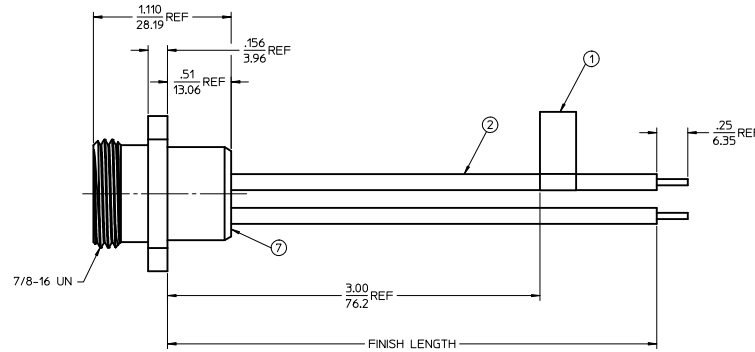
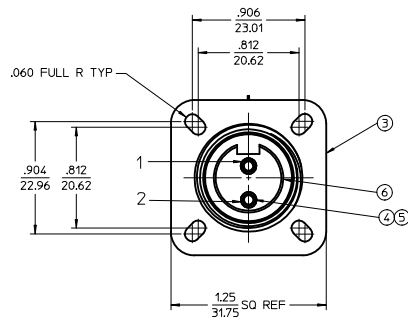
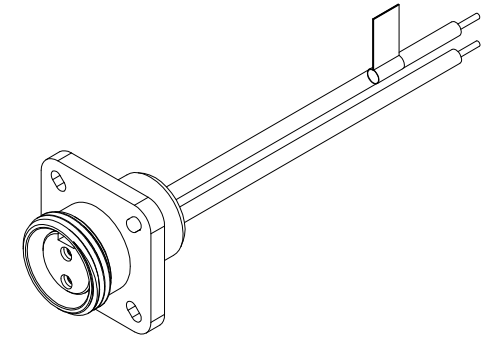
- 1 > WHITE
- 2 > BLACK

ITEM.	QTY.	COMPONENT	MATERIAL	FINISH
1	1	FLAG LABEL	PLASTIC FILM	BLACK/YELLOW
2	2	CONDUCTOR-16 AWG, 26X#30 COPPER STRANDING 600V	PVC	SEE WIRING DIAGRAM
3	1	RECEPTACLE SHELL	ALUMINUM	ANODIZED
4	2	SOCKET SLEEVE	STAINLESS STEEL	
5	2	CONTACT SOCKET	COPPER ALLOY	GOLD PLATED
6	1	2 POLE INSERT	PVC	YELLOW
7	1	POTTING	EPOXY	BLACK

CREATE DOC EC NO: WNA2010-0423 DRAWN BY: B. RUPERT CHKD BY: WOODMAN APPR: J. MURPHY DATE: 2010/01/14	QUALITY SYMBOLS	GENERAL TOLERANCES (UNLESS SPECIFIED)	DIMENSION STYLE	SCALE	DESIGN UNITS	THIRD ANGLE PROJECTION
	4 PLACES ±.005 3 PLACES ±.005 2 PLACES ±0.013 1 PLACE ±.013 ANGULAR ±1/2°	mm INCH ±.005 ±.005 ±.013 ±.013 ±.013 ±.013 ±.013 ±.013	IN/MM 2:1 INCH	DRAWN BY: B. RUPERT CHECKED BY: B. WOODMAN APPROVED BY: J. MURPHY DATE: 01/07/2010 DATE: 01/07/2010 DATE: 2010/01/14	TITLE: FEMALE FLANGED RECEPTACLE MINI-CHANGE 2P 16AWG PVC	MATERIAL NO. SD-130013-014 DOCUMENT NO. SD-130013-014
	DRAFT WHERE APPLICABLE MUST REMAIN WITHIN DIMENSIONS	SEE CHART	THIS DRAWING CONTAINS INFORMATION THAT IS PROPRIETARY TO MOLEX INCORPORATED AND SHOULD NOT BE USED WITHOUT WRITTEN PERMISSION			

MATERIAL NUMBER	OLD PART NUMBER	FINISH LENGTH
130013-0093	1R2G04A20A120	1.0'+.75"-0 [1.3M+19.1-0]

VOLTAGE RATING	600 VAC/VDC
AMPERAGE RATING	13A
PROJECTION	IP67
OPERATING TEMPERATURE	-20° C TO 105° C
UL CERTIFICATIONS	UL RECOGNIZED, FILE NO. E152210
CSA CERTIFICATIONS	CSA CERTIFIED, FILE NO. LR6837



WIRING DIAGRAM

- 1 > WHITE
- 2 > BLACK

ITEM.	QTY.	COMPONENT	MATERIAL	FINISH
1	1	FLAG LABEL	PLASTIC FILM	BLACK/YELLOW
2	2	CONDUCTOR-16 AWG, 26X#30 COPPER STRANDING 600V	PVC	SEE WIRING DIAGRAM
3	1	RECEPTACLE SHELL	ALUMINUM	ANODIZED
4	2	SOCKET SLEEVE	STAINLESS STEEL	
5	2	CONTACT SOCKET	COPPER ALLOY	GOLD PLATED
6	1	2 POLE INSERT	PVC	YELLOW
7	1	POTTING	EPOXY	BLACK

CREATE DOC EC NO: WNA2010-0423 DRAWN BY: B. RUPERT CHKD BY: WOODMAN APPR: J. MURPHY DATE: 2010/01/14	QUALITY SYMBOLS	GENERAL TOLERANCES (UNLESS SPECIFIED)	DIMENSION STYLE	SCALE	DESIGN UNITS	THIRD ANGLE PROJECTION	
	4 PLACES ±.005 3 PLACES ±.005 2 PLACES ±0.013 1 PLACE ±.013 ANGULAR ±1/2°	mm INCH ±.005 ±.005 ±.013 ±.013 ±.013 ±.013	IN/MM 2:1	INCH	INCH	INCH	INCH
		DRAFT WHERE APPLICABLE MUST REMAIN WITHIN DIMENSIONS	DRAWN BY: B. RUPERT CHECKED BY: B. WOODMAN APPROVED BY: J. MURPHY DATE: 01/07/2010 DATE: 01/07/2010 DATE: 2010/01/14	TITLE: FEMALE FLANGED RECEPTACLE, MINI-CHANGE 2P 16AWG PVC			MATERIAL NO. SD-130013-014 DOCUMENT NO. SD-130013-014
			SEE CHART	MOLEX INCORPORATED			SHEET NO. 1 OF 1
			THIS DRAWING CONTAINS INFORMATION THAT IS PROPRIETARY TO MOLEX INCORPORATED AND SHOULD NOT BE USED WITHOUT WRITTEN PERMISSION				