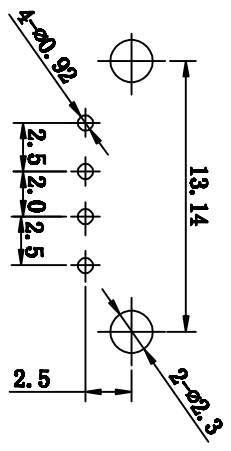
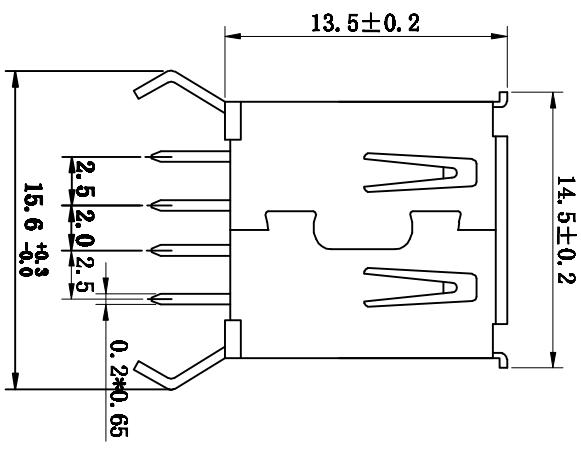
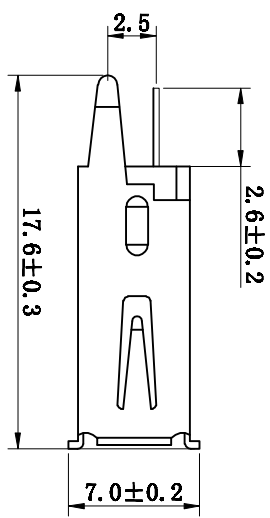
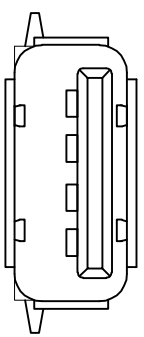


客户确认
日期



PCB Layout

Specifications:

- Electrical:**
- Contact Resistance: 30 milliohms MAX
- Dielectric Withstanding Voltage: 500V AC AT Sea Level
- Insulation Resistance: 1000 MEGA ohms MIN.
- Mechanical:**
- Mating Force: 4.0KG MAX
- Unmating Force: 0.7KG MIN
- Material:**
- Housing: High Temperature Thermoplastics: UL94V-0
- Contact: Copper Alloy
- Shell: Copper Alloy
- Finish:**
- Contact: Plated Gold in Mating Area;
- Tin/Lead On Solder Tails
- Shell: Tin/Lead plating
- Nickel plating

APPROVED:		DATE:		TITLE:	
CHECKED:		DATE:		USB-A/F-4P H=13.5MM 180° 直插	
DRAWN:		DATE:		CLIENT P/N	
LYF		2009-07-20		C3940226	
TOLERANCE TABLE		UNIT		SCALE	
.0		mm		free	
.00		mm		free	
.000		mm		free	
		FILE NO.		REV.	
		Ckmtw-USB-00008		A	

深圳市灿科置实业有限公司
CKMTW CHANKUANG INDUSTRIAL CO., LTD