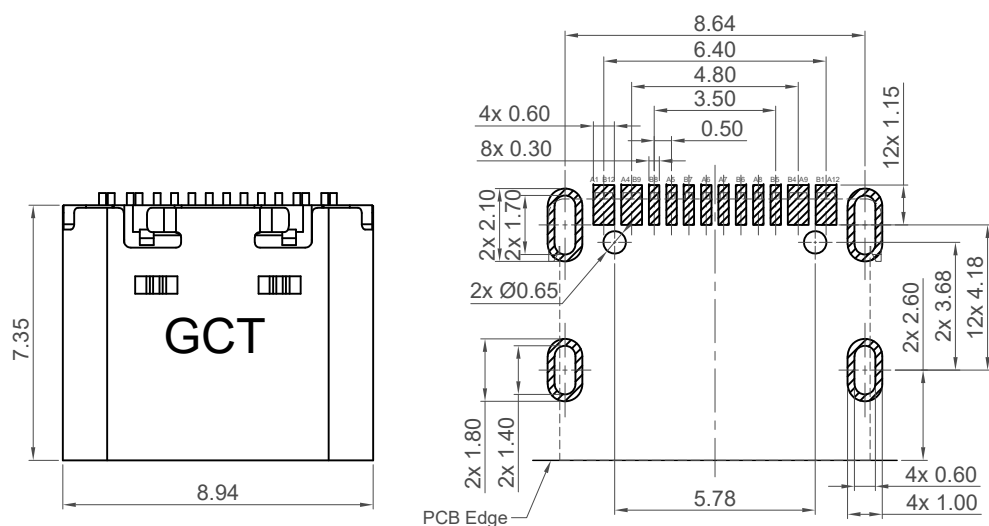
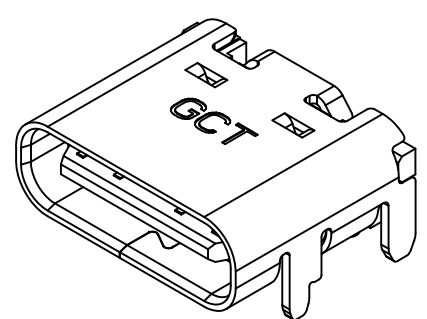


H  
G  
F  
E  
D  
C  
B  
A



**Recommended PCB Layout**  
As viewed from component side Tolerance: ±0.05mm



Pin	Signal	Mating Sequence	Pin	Signal	Mating Sequence
A1	GND	First	B12	GND	First
A4	Vbus	First	B9	Vbus	First
A5	CC1	Second	B8	SBU2	Second
A6	Dp1	Second	B7	Dn2	Second
A7	Dn1	Second	B6	Dp2	Second
A8	SBU1	Second	B5	CC2	Second
A9	Vbus	First	B4	Vbus	First
A12	GND	First	B1	GND	First
SHELL		GND	SHELL		GND

**Specifications**

**Material**  
 Insulator: LCP, UL 94V-0, Black  
 Contact: Copper Alloy  
 Shell: Stainless steel  
 Mid Plate: Stainless Steel

**Plating**

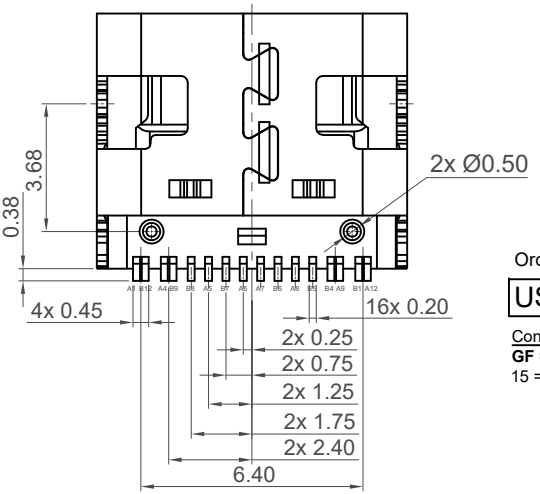
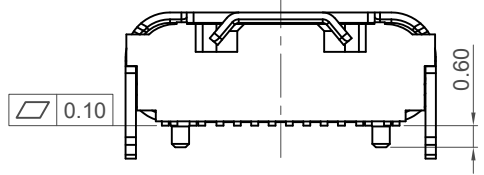
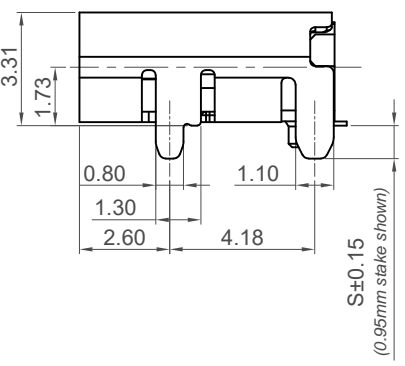
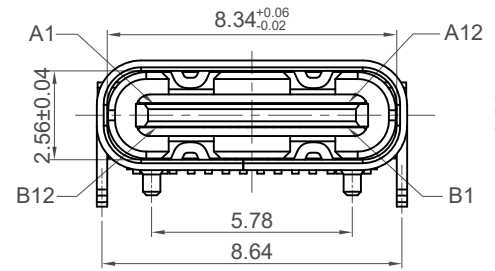
**Contact:**  
 Contact Area: See Ordering Grid  
 Solder Tails: Gold Flash  
 Underplating: 50µ" min. Nickel All Over  
 Shell: 30µ" min. Nickel

**Electrical**

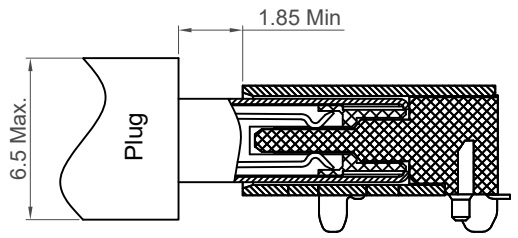
**Current Rating:** 5.00A collectively for Vbus pins  
 6.25A collectively for GND pins  
 1.25A for B5 pin  
 0.25A per pin for all other pins  
**Voltage Rating:** 20V DC  
**Contact Resistance:** 40mΩ max initial.  
 50mΩ max after test  
**Dielectric Withstanding Voltage:** 100V AC  
**Insulation Resistance:** 100MΩ min.

**Mechanical & Environmental**

**Operating Temperature:** -40°C to +85°C  
**Mating Force:** 5 to 20 N.  
**Unmated Force:** 6 to 20 N after test  
**Durability:** 10,000 cycles



**Ordering Grid**  
 USB4105 - XX - A - XXX  Request Samples and Quotation  
**Contact Plating**  
 GF = Gold Flash (standard)  
 15 = 15µ" Gold  
**Packing Options**  
 A = Tape & Reel  
**Shell Stake Length "S"**  
 Blank = 0.95mm  
 060 = 0.60mm  
 120 = 1.20mm



**Plug and Receptacle Mating View**

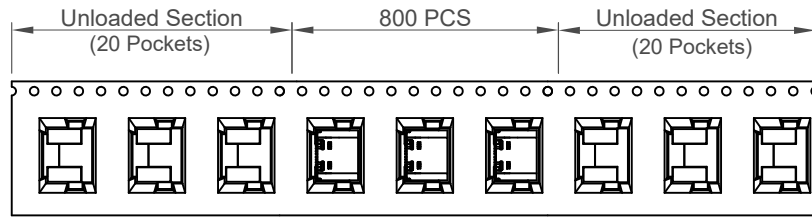
Part Number		Product Description	
USB4105		USB Type C Receptacle for USB 2.0	
Drawing Date		SMT Type, PCB Top Mount	
4th October 2019			
By	CC	Tolerances (Except as Noted)	Units:
Detail	USB4105 B PCN	Length X. ± 0.38 XX ± 0.30 X.XX ± 0.15 X.XXX ± 0.10	Metric (mm)
Revision	B1	Angle X ± 2° X.X ± 1°	
Date	28/12/22		



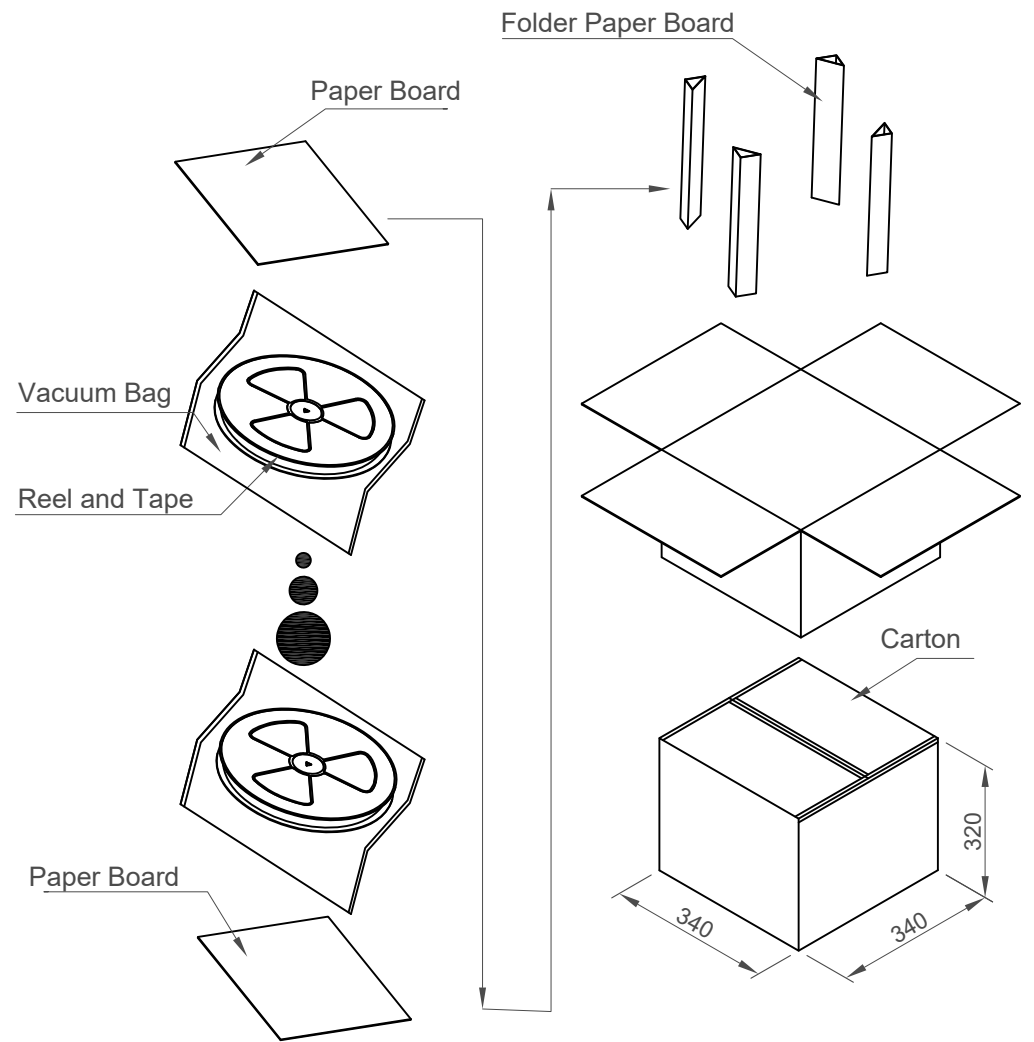
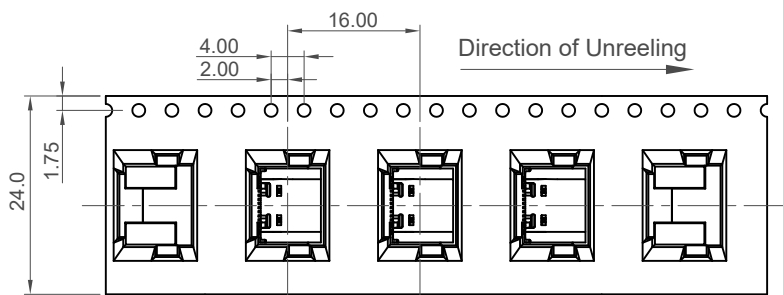
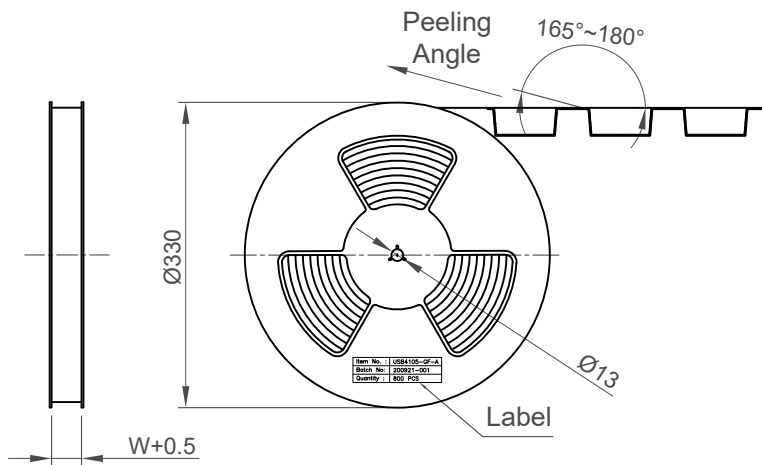
This drawing is confidential and copyright of Global Connector Technology, Ltd (GCT). This drawing must not be copied or disclosed without written consent. E & OE





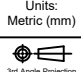

Not to Scale	Drawn By CC	Sheet No. 1/2
--------------	----------------	------------------



Direction of Unreeling



Pcs / Reel	Reels / Carton	Total Quantity
800	10	8000 pcs

Part Number USB4105		Product Description USB Type C Receptacle for USB 2.0 SMT Type, PCB Top Mount		 <a href="http://www.gct.co">www.gct.co</a>
Drawing Date 4th October 2019				
By CC	Tolerances (Except as Noted) Length Angle	Units: Metric (mm)		
Detail USB4105 B PCN			This drawing is confidential and copyright of Global Connector Technology, Ltd (GCT). This drawing must not be copied or disclosed without written consent. E & OE	
Revision B1				Not to Scale
Date 28/12/22				Drawn By CC
				Sheet No. 2/2