



Product Name	TJC3(XH) series	Rev.	A
Part Number.	25001	Date	2018-03-03
CONN TYPE	2.5 mm WTB CONN	Page	1/8

Product Specification

Prepared by : Zhang Wen Jing

Date : 2018.03.03

Checked by : Wu Hui

Date : 2018.03.03

Approved by : Ren An De

Date : 2018.03.03



ZHEJIANG DELI CONNECTORS CO., LTD.

Product Name	TJC3(XH) series	Rev.	A
Part Number.	25001	Date	2018-03-03
CONN TYPE	2.5 mm WTB CONN	Page	2/8

Revision History

Rev.	Revision Description	Approved	Date
B			
C			
D			
E			
F			

浙江德利连接器有限公司

Product Name	TJC3(XH) series	Rev.	A
Part Number.	25001	Date	2018-03-03
CONN TYPE	2.5 mm WTB CONN	Page	3/8

1. SCOPE: (适用范围)

1.1 This specification covers production and inspection of Model TJC3 Connector.

本规范内容适用于本公司 TJC3 型条形连接器产品的生产与检验。

2. Product Classification: (产品分类)

2.1 Poles: 2~20.

接触件数目: 2~20.

2.2 Catalog Identification:

产品型号示例:

10 female contact Housing: TJC3-10Y.

具有 10 个阴接触件的 TJC3 型连接器: TJC3-10Y.

10 male contact Wafer: TJC3-10AWB.

具有 10 个阳接触件的 TJC3 型连接器: TJC3-10AWB.

3. USE CONDITION: (使用条件)

3.1 Ambient temperature Range (环境温度): $-25^{\circ}\text{C}\sim+85^{\circ}\text{C}$.

3.2 Applicable Wire Sizes (适用线规): AWG#28~#22.

Insulation O. D. $\varnothing 1.2$ to 1.9mm.

3.3 Applicable PC board thickness (适用 PC 板厚度): 1.6 mm.

4. Appearance and Dimension: (外观及尺寸)

4.1 Appearance (外观): Product surface without defect: dirt, crack, and mechanical damage, contact without rust, plating not oxidized and not peeled.

产品表面不应有对制品有害的缺陷、污垢、裂痕及机械损伤; 接触件无锈蚀、镀层氧化、脱落等现象。

4.2 Dimension (外形尺寸): According to drawings. 依照附图所示。

4.3 Exchangable (互换性): Exchangable with same specification products.

相同规格应能互换。

Product Name	TJC3(XH) series	Rev.	A
Part Number.	25001	Date	2018-03-03
CONN TYPE	2.5 mm WTB CONN	Page	4/8

5. Material: (材料)

P/N (零件名称)	Type (类型)	Material (材料)	Finish (表面处理)	Explain (说明)
Terminal	Contact (插簧)	Phosphor bronze (磷青铜 厚 0.2mm)	Tin Plated.	RoHS Compliant
Wafer (针座)	Contact (插针)	Brass (黄铜)	Tin Plated over Nickel	
	Welding piece (焊片)	Brass (黄铜)	Tin Plated.	
	Plastic (塑壳)	LCP UL94V-0	Color:Nature (颜色: 本色)	
Housing (孔座)	Plastic (塑壳)	Nylon UL94V-0 (2)	Color:Nature (颜色: 本色)	

6、Electrical Performance: (电气性能)

NO. (序号)	Item (项目)	Requirement (技术要求)
6.1	Voltage Rated (额定电压)	250V AC.DC.
6.2	Current Rated (额定电流)	3A AC.DC.
6.3	Contact Resistance (接触电阻)	$\leq 20 \text{ m}\Omega$
6.4	Insulation Resistance (绝缘电阻)	$\geq 1000 \text{ M}\Omega$
6.5	Dielectric Strength (耐压)	1000V AC/minute

7、Mechanical Performance: (机械性能)

NO. (序号)	Item (项目)	Requirement (技术要求)
7.1	Male contact Retention force (PIN 针固定力)	$\geq 20\text{N}$ (per pin)

Product Name	TJC3(XH) series	Rev.	A
Part Number.	25001	Date	2018-03-03
CONN TYPE	2.5 mm WTB CONN	Page	5/8

7.2	Female contact Retention force (端子固定力)	$\geq 10\text{N}$ (per pin)
7.3	Welding piece contact Retention force (焊片固定力)	$\geq 3\text{N}$ (per pin)
7.4	Plug-in force (插入力)	$\leq 5.5\text{N}$ (per pin)
7.5	Plug-out force (拔出力)	$\geq 1.5\text{N}$ (per pin)

8、Endurance Characteristics: (环境性能)

NO. (序号)	Item (项目)	Requirement (技术要求)
8.1	Soldering rest (可焊性)	Time (时间): $2.5 \pm 0.5\text{S}$; Temperature (温度): $235 \pm 5^\circ\text{C}$; Area of Soldering (焊锡面): $\geq 90\%$
8.2	Resistance to Soldering Heat (耐焊接热)	Time (时间): $5 \pm 1\text{S}$; Temperature (温度): $260 \pm 5^\circ\text{C}$; Appearance (外观): No Damage (无损坏)
8.3	Heat test (耐热性)	Time (时间): 96h Temperature (温度): $+85 \pm 3^\circ\text{C}$; Appearance (外观): No Damage (无损坏) Contact resistance (接触电阻): $\leq 40\text{ m}\Omega$
8.4	Cold test (耐冷性)	Time (时间): 48h Temperature (温度): $-25 \pm 3^\circ\text{C}$; Appearance (外观): No Damage (无损坏) Contact resistance (接触电阻): $\leq 40\text{ m}\Omega$

Product Name	TJC3(XH) series	Rev.	A
Part Number.	25001	Date	2018-03-03
CONN TYPE	2.5 mm WTB CONN	Page	6/8

8.5	Temperature Cycling (温度循环)	<p>Low temperature (低温) : $-25\pm 3^{\circ}\text{C}$ High temperature (高温) : $+85\pm 3^{\circ}\text{C}$; For 5 cycles.test after keeping in Normal condition for 30 min. 5次循环后, 放置在正常环境中 30 分钟, 再进行测试</p> <p>Appearance (外观) : No Damage (无损坏) Contact resistance (接触电阻) : $\leq 40\text{ m}\Omega$</p>
8.6	Invariablenes humidity (恒定湿热)	<p>Temperature (温度) : $60\pm 2^{\circ}\text{C}$ Relative humidity (相对湿度) : 90%-96% RH; Time (时间) : 96h Appearance (外观) : No Damage (无损坏) Contact resistance (接触电阻) : $\leq 40\text{ m}\Omega$ Insulation Resistance 绝缘电阻: $\geq 1000\text{ M}\Omega$</p>
8.7	Salt Spray (盐雾试验)	<p>Salt concentration (浓度) : $5\pm 1\%$ Temperature (温度) : $35\pm 2^{\circ}\text{C}$ Testing time (时间) : $24\pm 2\text{h}$ After salt is removed by running wafer and a drop is removed , it is measured. 把试验样品从试验箱顶悬挂下来, 采用浓度为 (5±1)%的氯化钠溶液, 连续雾化 24h, 试验后用流动的蒸馏水轻轻洗去表面沉积物. 在常温常驻湿条件下恢复 1-2h. 外观无明显损伤</p> <p>Appearance (外观) : 外观无明显损伤 Contact resistance (接触电阻) : $\leq 40\text{ m}\Omega$</p>

Product Name	TJC3(XH) series	Rev.	A
Part Number.	25001	Date	2018-03-03
CONN TYPE	2.5 mm WTB CONN	Page	7/8

9、Packaging Transportation Storage: (包装 运输 贮存)

9.1 Packaging(包装)

- (1) The packing of plastic inner is the plastic bag, the packing of inner terminal is panel mounting attach material packing, marked with product name, specification model, quantity, date in produced.

塑壳内包装为塑料袋，端子内包装为盘装带料包装，装（贴）入合格证，注明产品名称、规格型号、数量生产日期.

- (2) Exterior package is carton, facing the packing list, the packing list marked with product name, specification model, quantity, date of dispatch.

外包装为纸箱，贴装箱单，装箱单上注明产品名称、规格型号、数量、出货日期.

- (3) The product in the box must not rock.

产品在箱内不晃动.

9.2 Transportation (运输)

Allow for any way transportation, can't get wet and mechanical injury.

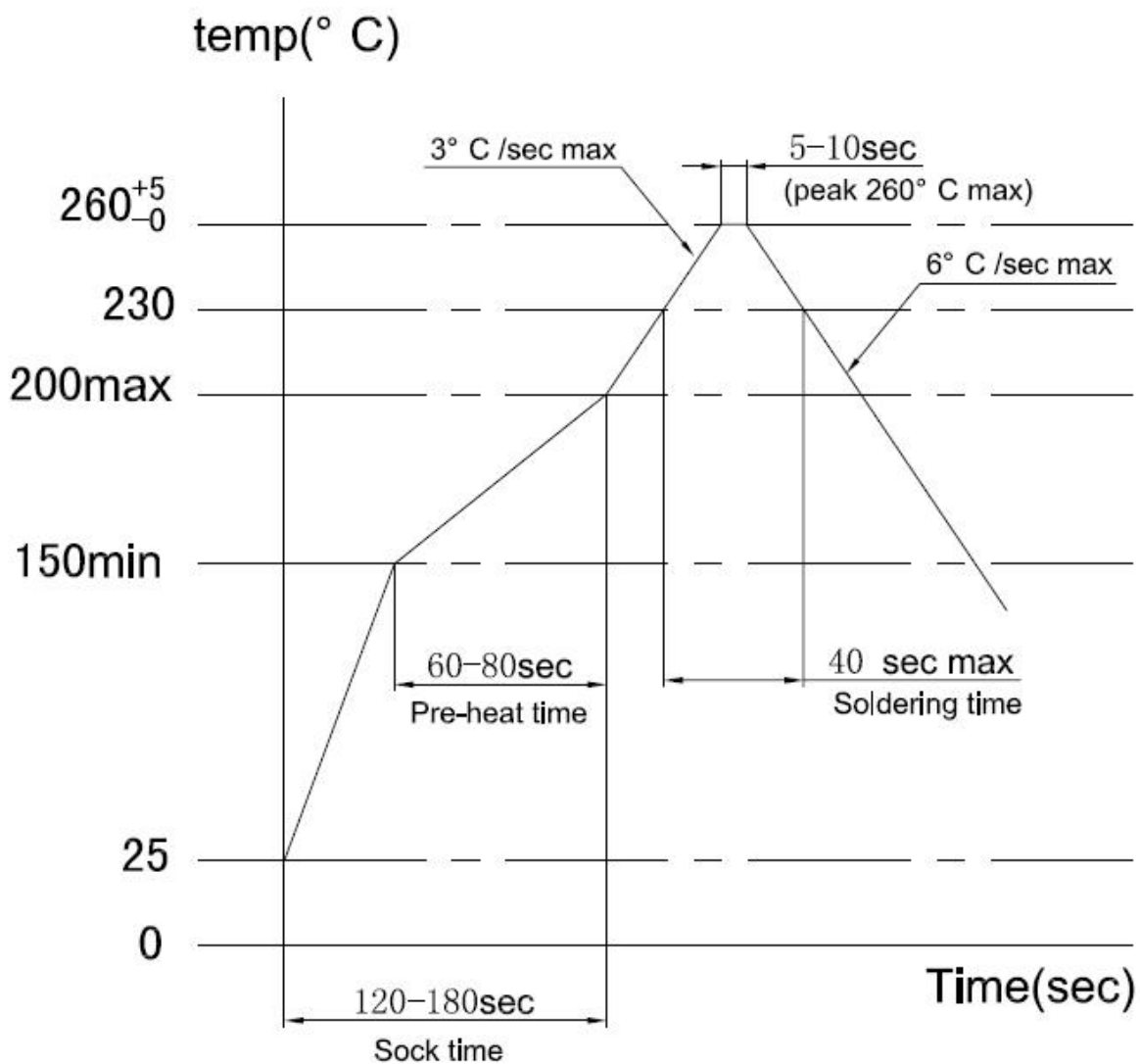
允许用任何方式运输，勿淋湿及机械性损伤.

9.3 Storage (贮存)

The connector of packing finished should be in the ambient temperature between -10°C to $+40^{\circ}\text{C}$, relative humidity $\leq 80\%$. To store in storehouse does not have acidic, alkaline air and other corrosive gas in the ambient air.

包装完毕的连接器的应在环境温度 $-10^{\circ}\text{C}\sim+40^{\circ}\text{C}$ ，相对湿度 $\leq 80\%$ ，周围空气中没有酸性，碱性及其它腐蚀性气体的库房中贮存.

Product Name	TJC3(XH) series	Rev.	A
Part Number.	25001	Date	2018-03-03
CONN TYPE	2.5 mm WTB CONN	Page	8/8

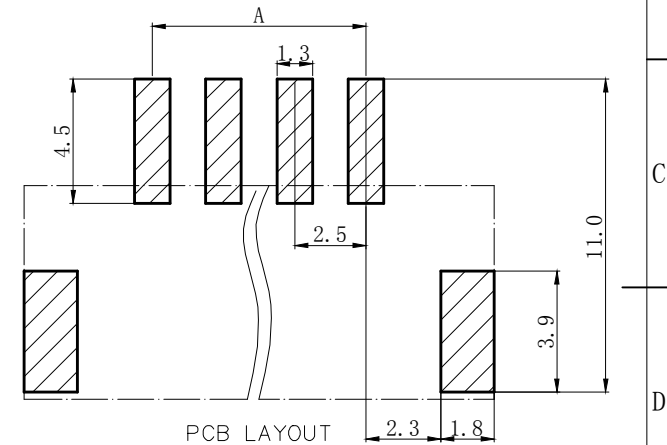


回流焊温度曲线图

REV.	REVISION DESCRIPTION	DATE

NOTES

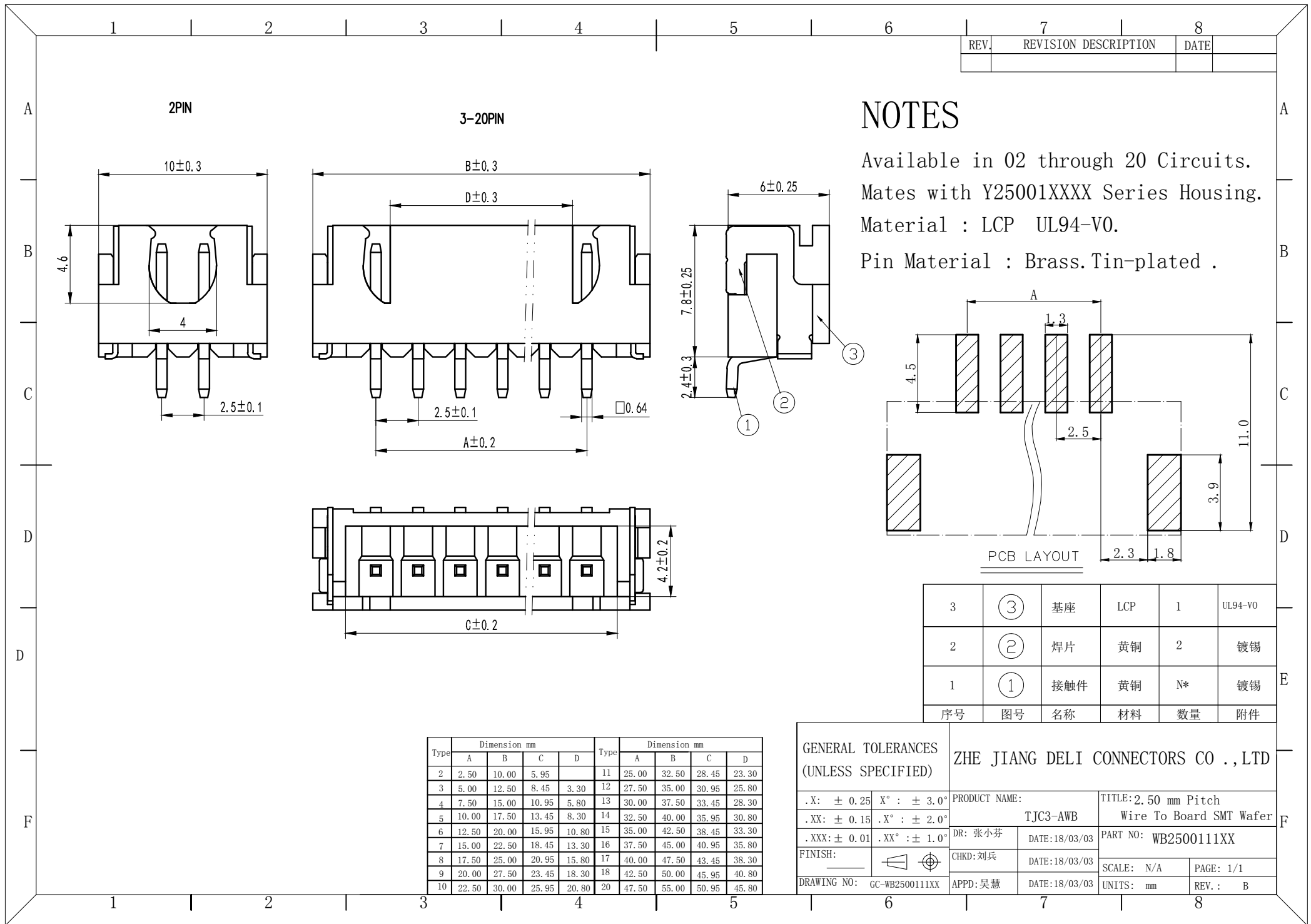
Available in 02 through 20 Circuits.
 Mates with Y25001XXXX Series Housing.
 Material : LCP UL94-V0.
 Pin Material : Brass.Tin-plated .



3	③	基座	LCP	1	UL94-V0
2	②	焊片	黄铜	2	镀锡
1	①	接触件	黄铜	N*	镀锡
序号	图号	名称	材料	数量	附件

Type	Dimension mm				Type	Dimension mm			
	A	B	C	D		A	B	C	D
2	2.50	10.00	5.95		11	25.00	32.50	28.45	23.30
3	5.00	12.50	8.45	3.30	12	27.50	35.00	30.95	25.80
4	7.50	15.00	10.95	5.80	13	30.00	37.50	33.45	28.30
5	10.00	17.50	13.45	8.30	14	32.50	40.00	35.95	30.80
6	12.50	20.00	15.95	10.80	15	35.00	42.50	38.45	33.30
7	15.00	22.50	18.45	13.30	16	37.50	45.00	40.95	35.80
8	17.50	25.00	20.95	15.80	17	40.00	47.50	43.45	38.30
9	20.00	27.50	23.45	18.30	18	42.50	50.00	45.95	40.80
10	22.50	30.00	25.95	20.80	20	47.50	55.00	50.95	45.80

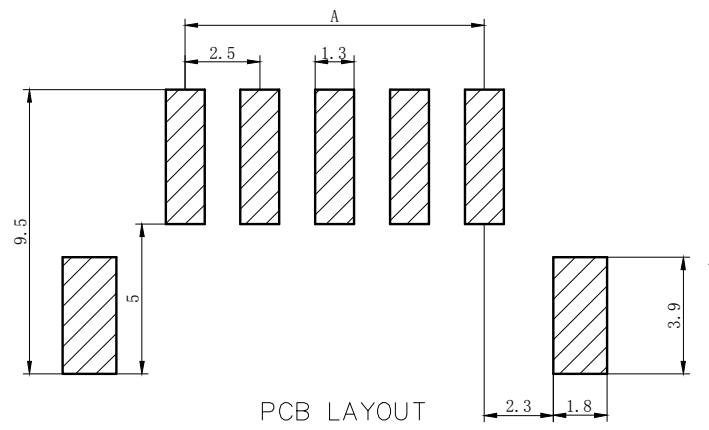
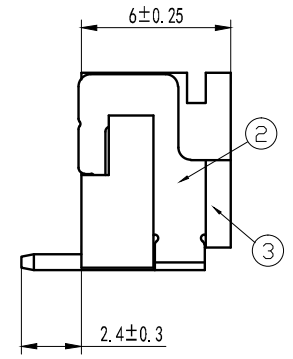
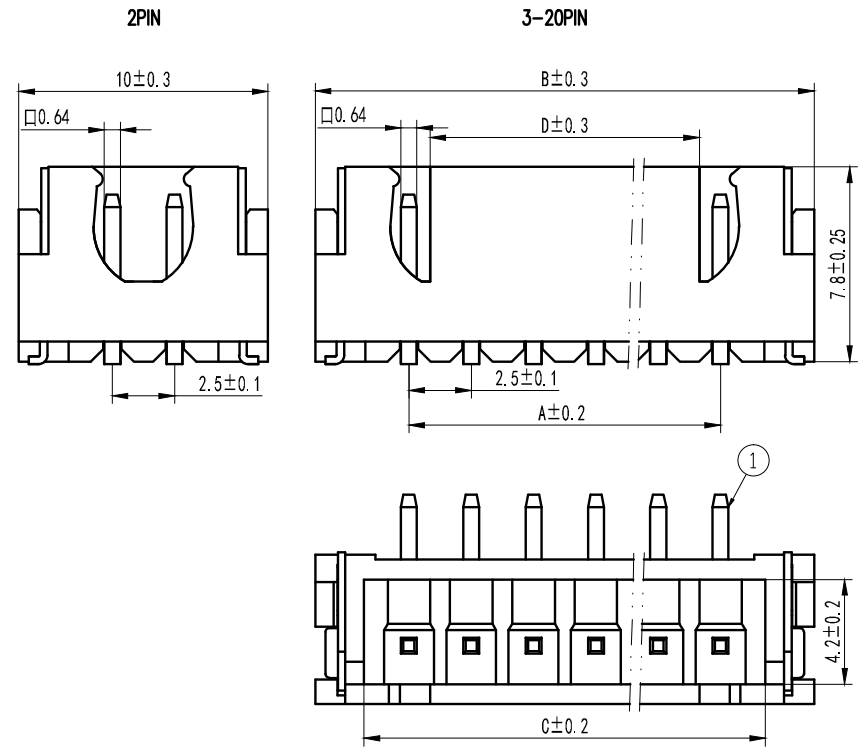
GENERAL TOLERANCES (UNLESS SPECIFIED)		ZHE JIANG DELI CONNECTORS CO.,LTD			
.X: ± 0.25	X° : ± 3.0°	PRODUCT NAME:		TITLE: 2.50 mm Pitch	
.XX: ± 0.15	.X° : ± 2.0°	TJC3-AWB		Wire To Board SMT Wafer	
.XXX: ± 0.01	.XX° : ± 1.0°	DR: 张小芬	DATE: 18/03/03	PART NO: WB2500111XX	
FINISH:		CHKD: 刘兵	DATE: 18/03/03	SCALE: N/A	PAGE: 1/1
DRAWING NO: GC-WB2500111XX		APPD: 吴慧	DATE: 18/03/03	UNITS: mm	REV.: B



REV.	REVISION DESCRIPTION	DATE	APPD
B	更新外观结构	2019.5.29	Wu

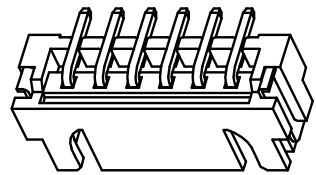
NOTES

Available in 02 through 20 Circuits.
 Mates with Y25001XXXX Series Housing.
 Material : LCP UL94-V0.
 Pin Material : Brass.Tin-plated .



PCB LAYOUT

3	③	基座	LCP	1	UL94-V0
2	②	焊片	黄铜	2	镀锡
1	①	接触件	黄铜	N*	镀锡
序号	图号	名称	材料	数量	附件



Type	Dimension mm				Type	Dimension mm			
	A	B	C	D		A	B	C	D
2	2.50	10.00	5.95		11	25.00	32.50	28.45	23.30
3	5.00	12.50	8.45	3.30	12	27.50	35.00	30.95	25.80
4	7.50	15.00	10.95	5.80	13	30.00	37.50	33.45	28.30
5	10.00	17.50	13.45	8.30	14	32.50	40.00	35.95	30.80
6	12.50	20.00	15.95	10.80	15	35.00	42.50	38.45	33.30
7	15.00	22.50	18.45	13.30	16	37.50	45.00	40.95	35.80
8	17.50	25.00	20.95	15.80	17	40.00	47.50	43.45	38.30
9	20.00	27.50	23.45	18.30	18	42.50	50.00	45.95	40.80
10	22.50	30.00	25.95	20.80	20	47.50	55.00	50.95	45.80

GENERAL TOLERANCES (UNLESS SPECIFIED)

ZHE JIANG DELI CONNECTORS CO., LTD

PRODUCT NAME: TJC3-AB TITLE: 2.50 mm Pitch Wire To Board SMT Wafer

DR: 张小芬 DATE: 18/03/03 PART NO: B2500111XX

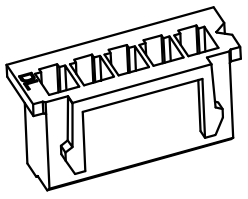
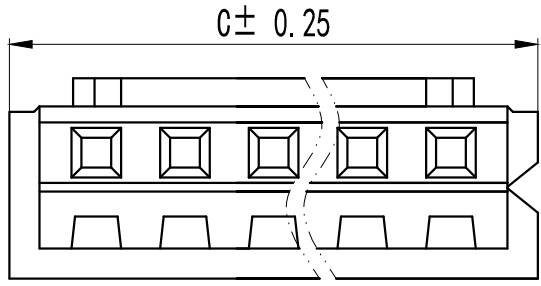
CHKD: 刘兵 DATE: 18/03/03 SCALE: N/A PAGE: 1/1

APPD: 吴慧 DATE: 18/03/03 UNITS: mm REV.: B

DRAWING NO: B2500111XX

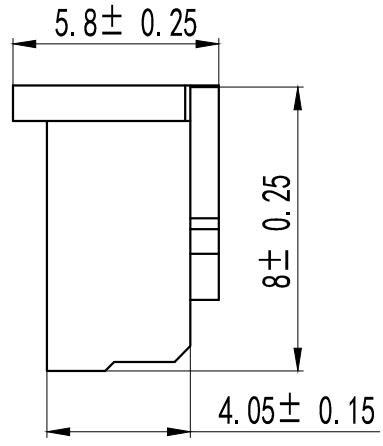
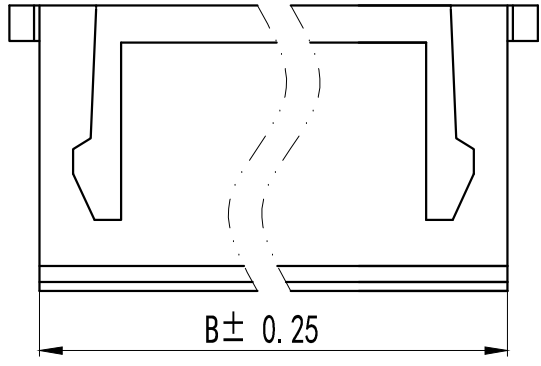
1 2 3 4 5 6 7 8

REV.	REVISION DESCRIPTION	DATE	APPD



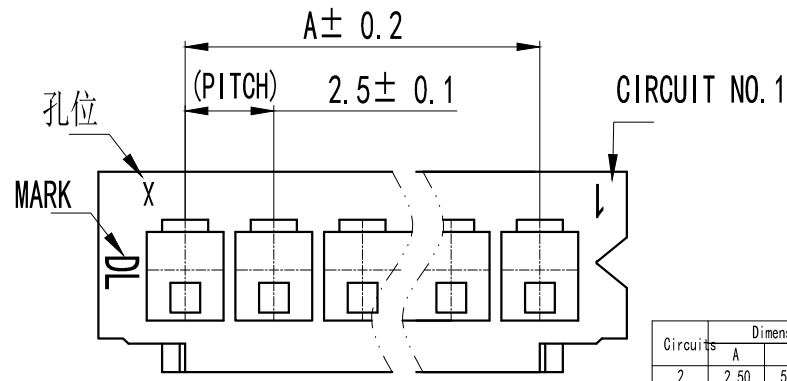
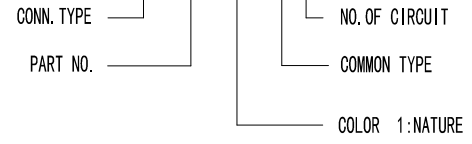
NOTES

Available in 02 through 20 Circuits.
 Mates with B25001XXXX or WB25001XXXX Series WAFER.
 Material : Nylon UL94-V0(2).
 Accepts T25001XXXX Crimp Terminal.



ORDERING INFORMATION

Y 25001 1 1 XX



Circuits	Dimension mm			Circuits	Dimension mm		
	A	B	C		A	B	C
2	2.50	5.70	7.30	12	27.50	30.70	32.30
3	5.00	8.20	9.80	13	30.00	33.20	34.80
4	7.50	10.70	12.30	14	32.50	35.70	37.30
5	10.00	13.20	14.80	15	35.00	38.20	39.80
6	12.50	15.70	17.30	16	37.50	40.70	42.30
7	15.00	18.20	19.80	17	40.00	43.20	44.80
8	17.50	20.70	22.30	18	42.50	45.70	47.30
9	20.00	23.20	24.80	-	-	-	-
10	22.50	25.70	27.30	20	47.50	50.60	52.30
11	25.00	28.20	29.80	-	-	-	-

GENERAL TOLERANCES (UNLESS SPECIFIED)		ZHE JIANG DELI CONNECTORS CO., LTD	
.X: ± 0.25	X°: ± 3.0°	PRODUCT NAME: TJC3-Y	TITLE: 2.50 mm Pitch Wire To Board Housing
.XX: ± 0.15	.X°: ± 2.0°	DR: Zhang Wen Jing	DATE: 09/08/01
.XXX: ± 0.01	.XX°: ± 1.0°	CHKD: Zhang Ren Chuan	DATE: 09/08/01
FINISH:		APPD: Ren An De	DATE: 09/08/01
DRAWING NO: GC-Y25001XXXX		PART NO: Y25001XXXX	SCALE: N/A
		UNITS: mm	PAGE: 1/1
		REV.: A	

1 2 3 4 5 6 7 8

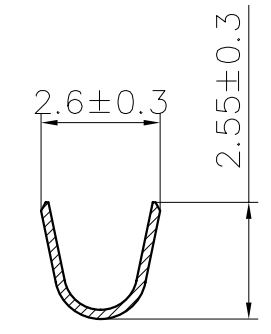
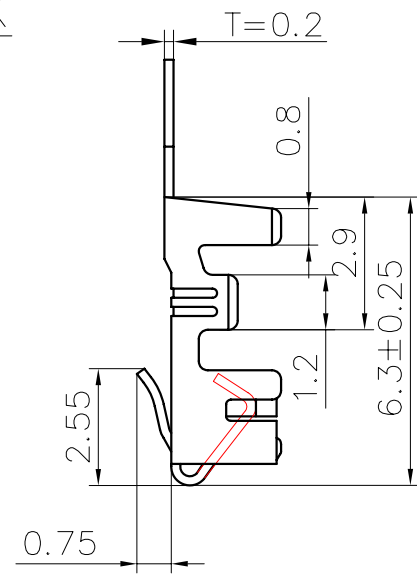
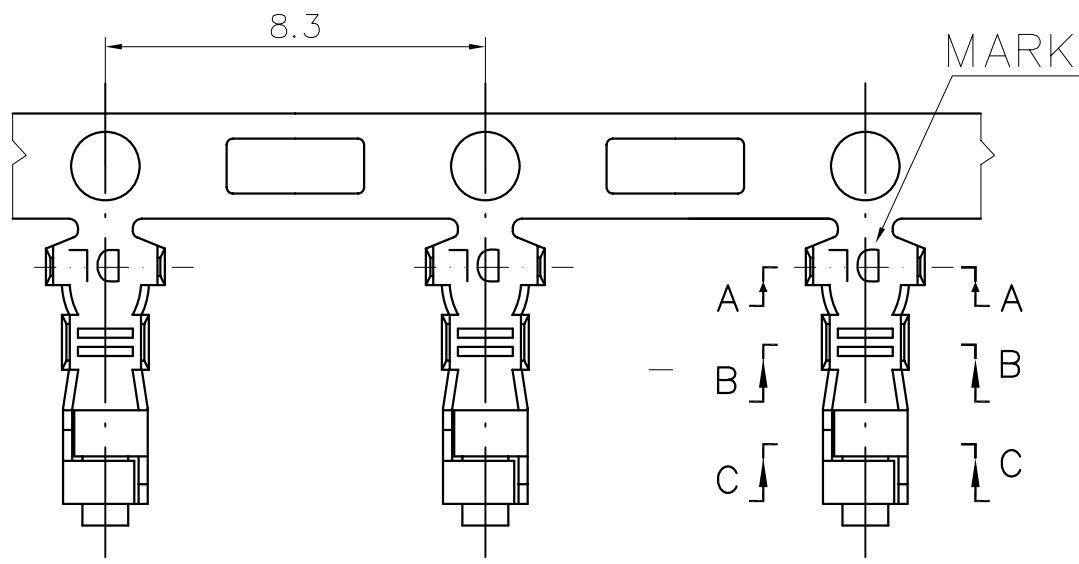
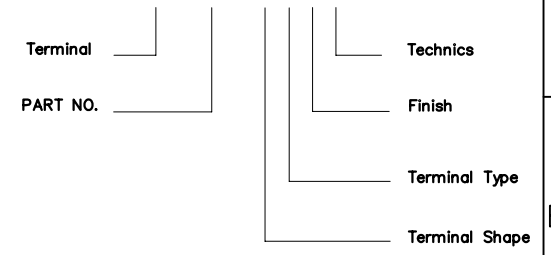
REV.	REVISION DESCRIPTION	DATE	APPD
1			

NOTES

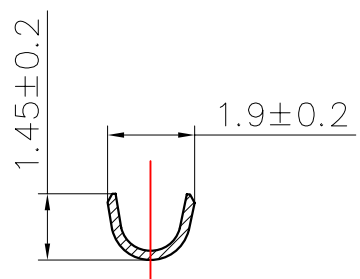
Used in Y25001XXXX Series Housing.
 Accepts AWG #28~22 Wire Range.
 0.08~0.33 mm².
 Insulation O.D.=1.2~1.9 mm.
 Material : Phosphor Bronze .
 Finish: Tin plated.
 Qty/Reel: 7,000 PCS.
 Thickness: 0.2 mm.

ORDERING INFORMATION

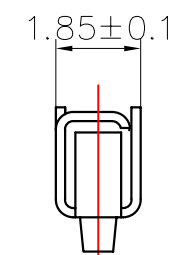
T 25001 X X X X



SECTION A-A



SECTION B-B



SECTION C-C

GENERAL TOLERANCES (UNLESS SPECIFIED)		ZHE JIANG DELI CONNECTORS CO.,LTD	
.X: ± 0.25	X': ± 3.0°	PRODUCT NAME:	TITLE:
.XX: ± 0.15	.X': ± 2.0°	TJC3-T	2.50 mm Pitch Wire To Board Crimp Terminal
.XXX: ± 0.01	.XX': ± 1.0°	DR: XianQiang	DATE:14.11.27
FINISH:		CHKD: Liu Bing	DATE:14.11.27
DRAWING NO:GC-T25001XXXX	APPD: Ren An De	DATE:14.11.27	PART NO: T25001XXXX
		SCALE: N/A	PAGE: 1/1
		UNITS: mm	REV.: A