

**Ordering Information:**

C3030WV-S-2xXP - \*\*\*

1 2

1.Part NO.

2.Pin Finish:

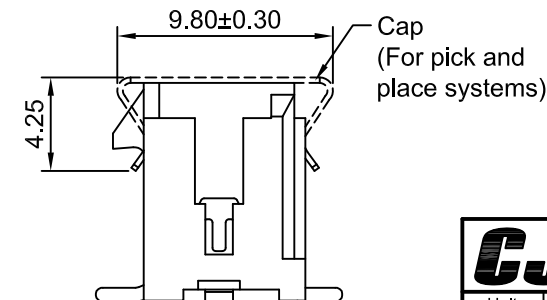
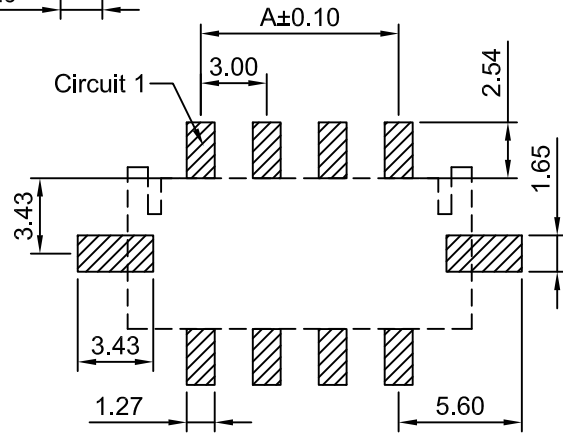
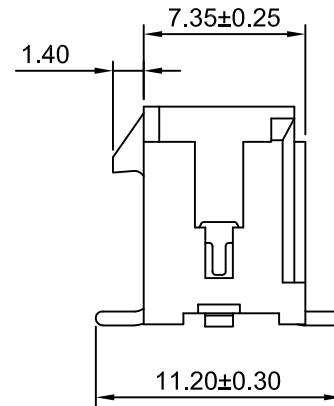
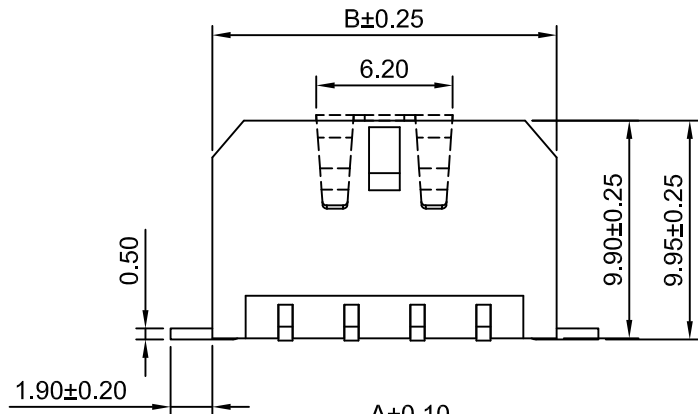
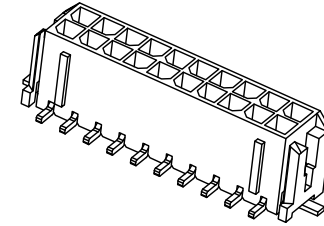
(Blank): Tin over Nickel

G: Gold over Nickel

G3: Gold over Nickel

G15: Gold over Nickel(Au:15u",Mating Area)

G30: Gold over Nickel(Au:30u",Mating Area)



**SPECIFICATIONS:**

Current Rating: 8.5A AC,DC (AWG #16)

Voltage Rating: 250V AC,DC

Temperature Range: -40°C ~ +105°C

Contact Resistance: 10mΩ Max

Insulation Resistance: 1000MΩ Min

Withstanding Voltage: 1500V AC/minute

Pin Material: Brass/Tin over Nickel

Solder tabs: Brass/Tin over Nickel

Material: LCP,UL94-V0(Black)

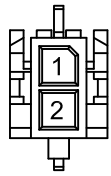
**Ordering Information & Dimensions**

Part No.	Dimensions(mm)	
	A	B
C3030WV-S-2x1P	---	6.70
C3030WV-S-2x2P	3.00	9.70
C3030WV-S-2x3P	6.00	12.70
C3030WV-S-2x4P	9.00	15.70
C3030WV-S-2x5P	12.00	18.70
C3030WV-S-2x6P	15.00	21.70
C3030WV-S-2x7P	18.00	24.70
C3030WV-S-2x8P	21.00	27.70
C3030WV-S-2x9P	24.00	30.70
C3030WV-S-2x10P	27.00	33.70
C3030WV-S-2x11P	30.00	36.70
C3030WV-S-2x12P	33.00	39.70

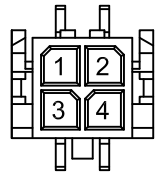
**P.C.B LAYOUT (TOP VIEW)**  
TOLERANCE:±0.05

**CJTconn** CHANGJIANG CONNECTORS CO.,LTD.

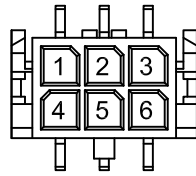
Unit	Scale	Sheet	TITLE
mm	3:1	1 of 2	3.00mm PITCH VERTICAL DUAL ROW WAFER -SMD TYPE
DRAWN	CHK	APVD	
A5	CHANGE THE DRAWING	2022.12.30	DRAWING NO
A4	CHANGE THE DRAWING	2022.11.14	
A3	CHANGE THE DRAWING	2022.01.14	REV
A2	CHANGE THE DRAWING	2020.05.28	
A1	CHANGE THE Current Rating	2018.12.26	A5
A0	NEW RELEASE	2012.12.06	
REV	DESCRIPTION	DATE	C3030WV-S-2xXP



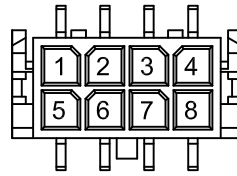
2x1P



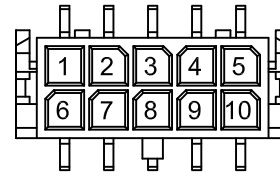
2x2P



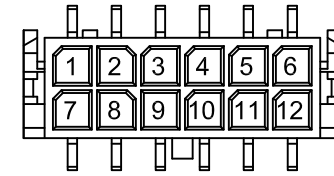
2x3P



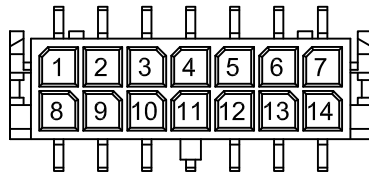
2x4P



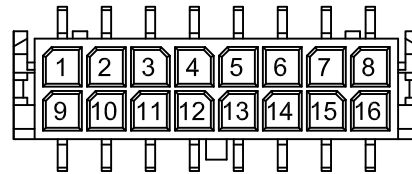
2x5P



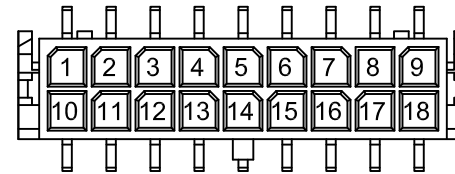
2x6P



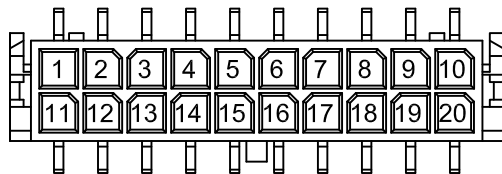
2x7P



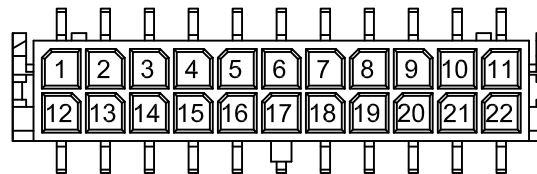
2x8P



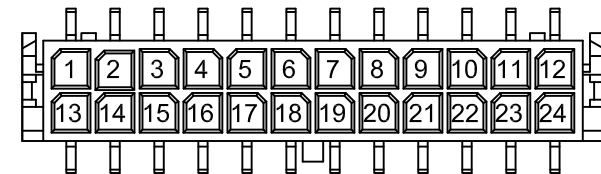
2x9P



2x10P



2x11P



2x12P

**CJTconn** CHANGJIANG CONNECTORS CO.,LTD.

Unit	Scale	Sheet	TITLE
mm	3:1	2 of 2	
A5	CHANGE THE DRAWING	2022.12.30	3.00mm PITCH VERTICAL DUAL ROW WAFER -SMD TYPE
A4	CHANGE THE DRAWING	2022.11.14	
A3	CHANGE THE DRAWING	2022.01.14	
A2	CHANGE THE DRAWING	2020.05.28	
A1	CHANGE THE Current Rating	2018.12.26	
A0	NEW RELEASE	2012.12.06	DRAWING NO
REV	DESCRIPTION	DATE	
			C3030WV-S-2xXP
			REV A5

General Tolerance	THIRD ANGLE PROJECTION
x.xx±0.25	
x.xxx±0.20	
x.x±0.15	
ANGLES ±1°	